

Amphenol

D-Sub Series Connectors
D-Sub 02 Rev 09-18

Amphenol

D-SUB CONNECTORS



The image is a promotional collage for Amphenol D-Sub connectors. The central focus is a collection of various D-Sub connector models, including different pin counts and housing colors (gold and black), set against a futuristic, grid-like background. To the right, there are four vertical panels illustrating the connectors' applications: a commercial airplane in flight, a fighter jet, a satellite in space, and a tank on a battlefield.

Amphenol

Introduction

Amphenol M2000 Series D Sub Connectors are MIL Qualified & listed in QPL & meets the requirement of MIL-DTL-24308.

M2000 Series D Sub Connectors are subminiature rack & panel type with polarized shell & having pin/socket machined contacts which provide high reliability & density for the connectors. They are used in variety of applications due to it's versatile design where weight & dimensions are constraint factor.

Applications:

- Military
- Aerospace
- Industrial
- Information System
- Communication System

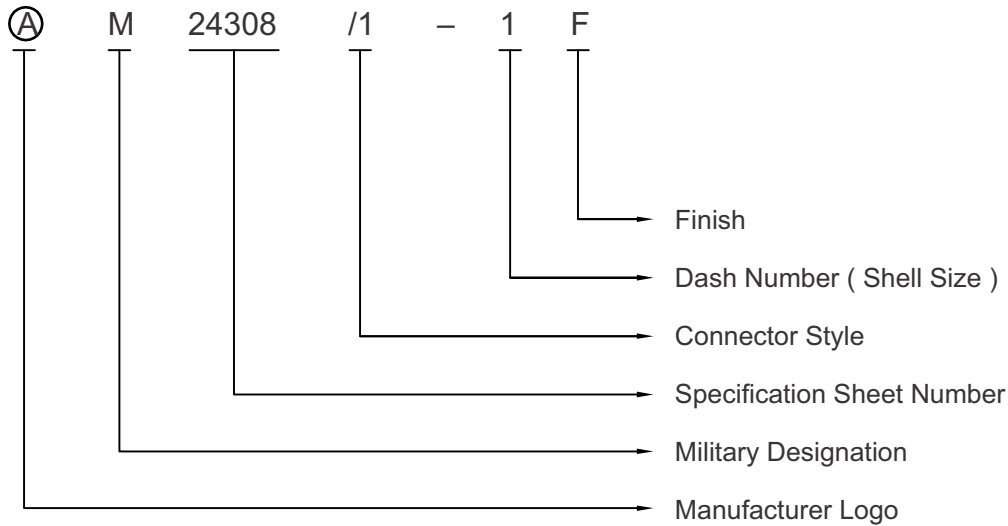
| Content | Page |
|---|-----------|
| Introduction | 1 |
| Technical Characteristics | 2 |
| Ordering Information | 3 |
| Receptacle & Plug Assembly Exploded View | 4 – 7 |
| Panel Cutout | 8 – 9 |
| PCB Layout For Standard D-sub Connector (09 To 50) | 10 |
| PCB Layout For High Density D-sub Connector (15 To 104) | 11 – 33 |
| Receptacle Crimp Type Connector & Approved Part No. List | 34 |
| Plug Crimp Type Connector & Approved Part No. List | 35 – 56 |
| Socket & Pin Contact Information (Crimp Type) | 57 |
| D-Sub Crimping & IR Tool | 58 - 60 |
| Receptacle Connector With Solder Cup Socket Contact & Approved Part No. List | 61 - 65 |
| Plug Connector With Solder Cup Pin Contact & Approved Part No. List | 66 - 70 |
| Receptacle Connector With Straight PC Tail Socket Contact & Approved Part No. List | 71 – 80 |
| Plug Connector With Straight PC Tail Pin Contact & Approved Part No. List | 81 – 90 |
| Receptacle Connector With Right Angle PC Tail Socket Contact & Approved Part No. List | 91 – 100 |
| Plug Connector With Right Angle PC Tail Pin Contact & Approved Part No. List | 101 – 110 |
| Special Product | |
| Solder Type Standard D Sub Connector (Environmental) | 121 |
| Standard D Sub Grommet Type Connector | 123 |
| Straight PC Tail D Sub Connector | 114 – 119 |
| Standard D Sub Right Angle PC Tail Connector | 120 – 121 |
| Standard D Sub Right Angle PC Tail Contact with Extra Length Connector | 122 |
| High Density D Sub Right Angle PC Tail Connector | 123 – 124 |
| D-Sub Strain Relief Backshell | 125 |
| Female and Male Screw Lock Assembly | 126 – 127 |
| Dust Cover | 128 |
| Gasket for D Sub Connectors | 129 |

| Characteristics | | Standard | High Density |
|-----------------|-------------------------|---|---|
| Material | Shell | Steel/Brass | Steel/Brass |
| | Insulator | Glass-Filled Polyester UL 94-0 (Natural Colour) | Glass-Filled Polyester UL 94-0 (Natural Colour) |
| | Contact | Copper Alloy | Copper Alloy |
| Finish | Shell | Cadmium/Zinc/Nickel/Zinc Nickel/Gold | Cadmium/Zinc/Nickel/Zinc Nickel/Gold |
| | Contact | Gold Plating | Gold Plating |
| Electrical | Contact Rating | 7.5A Max. | 5.0A Max. |
| | Test Voltage-Max | 1000 Vrms | 1000 Vrms |
| | Insulation Resistance | ≥ 5000 M Ohm | ≥ 5000 M Ohm |
| | Contact Resistance | 7.3 m Ohm | 12 m Ohm |
| Mechanical | Insertion/Removal force | 4 lb Max. | 4 lb Max. |
| | Durability | 500 Cycle | 500 Cycle |
| | Wire Gauge | AWG 20-26 | AWG 22-28 |
| Environmental | Temperature | - 55°C to + 125°C | - 55°C to + 125°C |
| | Salt Spray | 48 Hrs. | 48 Hrs. |
| | Damp Heat | 10 Days | 10 Days |

NOTES :- FOR CONNECTOR WITH DAP INSERT PLEASE CONTACT FACTORY.

Scope :

These Connector covers the requirements for non-environmental, polarized shell, miniature, rack and panel connectors having pin and socket, crimp (removable), solder (non-removable) contacts with rigid or float mounting, designed for -55°C to +125°C operating temperature.

Ordering Information**Connector Style**

- 1 - Socket Solder Cup Connector
- 3 - Plug Solder Cup Connector
- 5 - Socket Solder Cup Connector (With Nonmagnetic Shell)
- 7 - Plug Solder Cup Connector (With Nonmagnetic Shell)

- 2 - Socket Crimp Type Connector
- 4 - Plug Crimp Type Connector
- 6 - Socket Crimp Type Connector (With Nonmagnetic Shell)
- 8 - Plug Crimp Type Connector (With Nonmagnetic Shell)

- 23 - Socket Straight/Right Angle PC Tail Connector
- 24 - Socket Straight/Right Angle PC Tail Connector

Finish

For Class G (Magnetic) & Class N (Nonmagnetic)

- F - Cadmium Yellow Passivation
- Z - Zinc Yellow Passivation
- K - Zinc Nickel Black

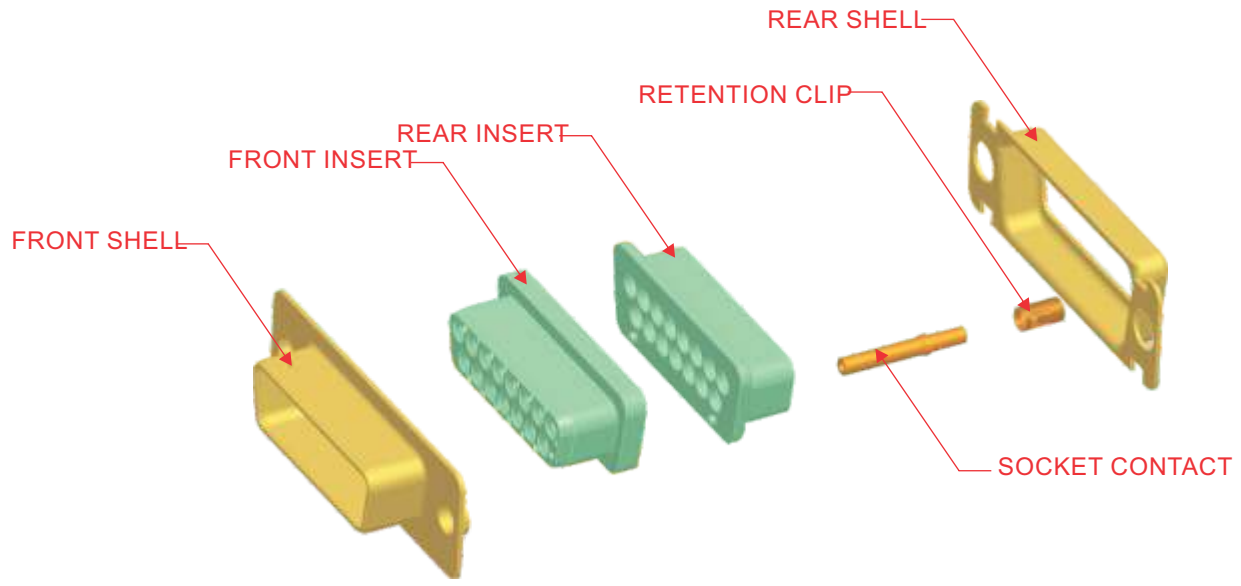
For Class D (Magnetic)

Class D Connector Have Electroless Nickel
No Suffix is required.

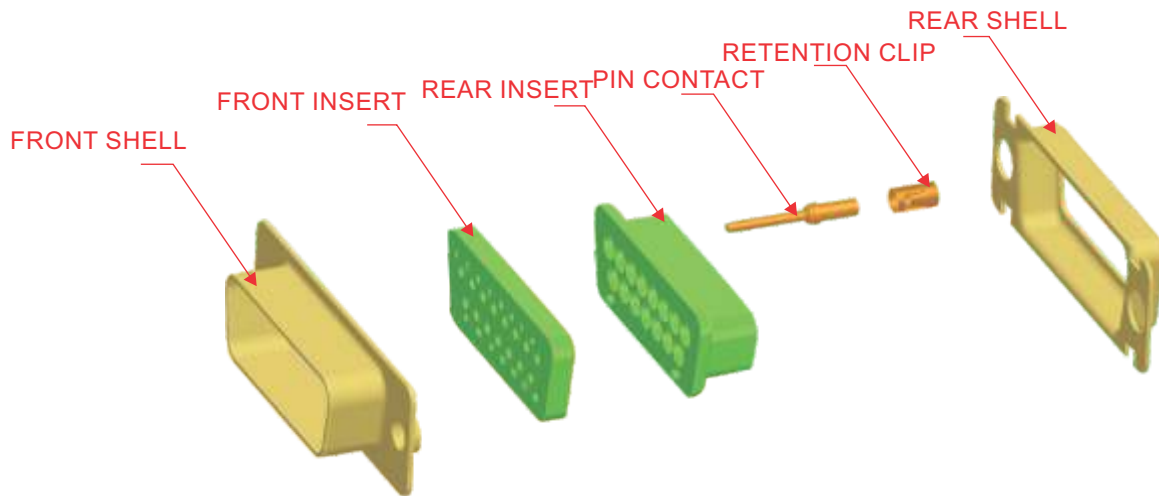
For Class M (Nonmagnetic Space Application)

Class M Connector Have Gold Finish
No Suffix is required

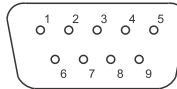
R eceptacle Assembly Exploded View (Crimp Type)



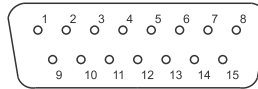
P lug Assembly Exploded View (Crimp Type)



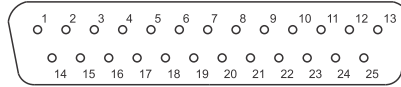
Insert Arrangement For Standard D-Sub Connectors



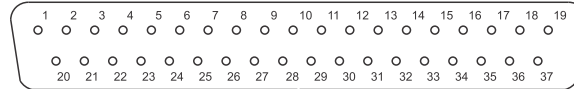
9 positions



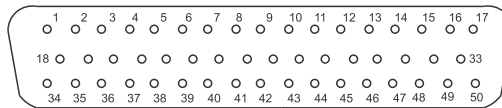
15 positions



25 positions

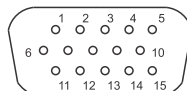


37 positions

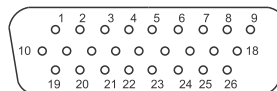


50 positions

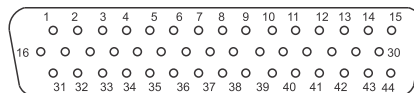
Insert Arrangement For High Density D-Sub Connectors



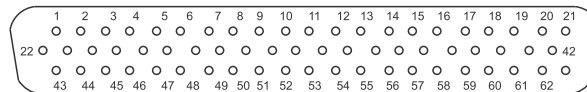
15 positions



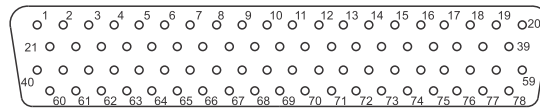
26 positions



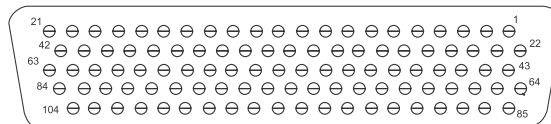
44 positions



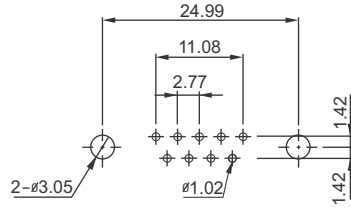
62 positions



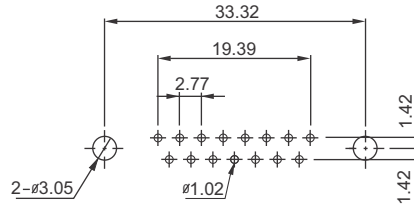
78 positions



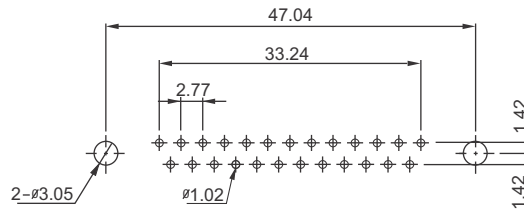
DD 104



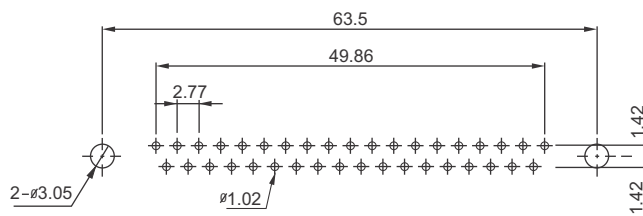
9 positions



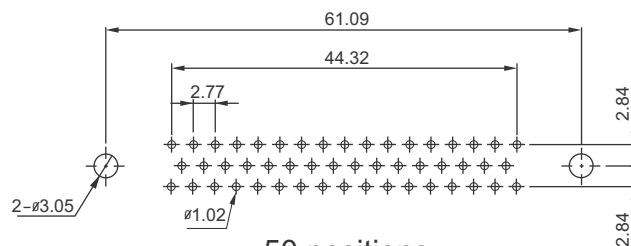
15 positions



25 positions



37 positions

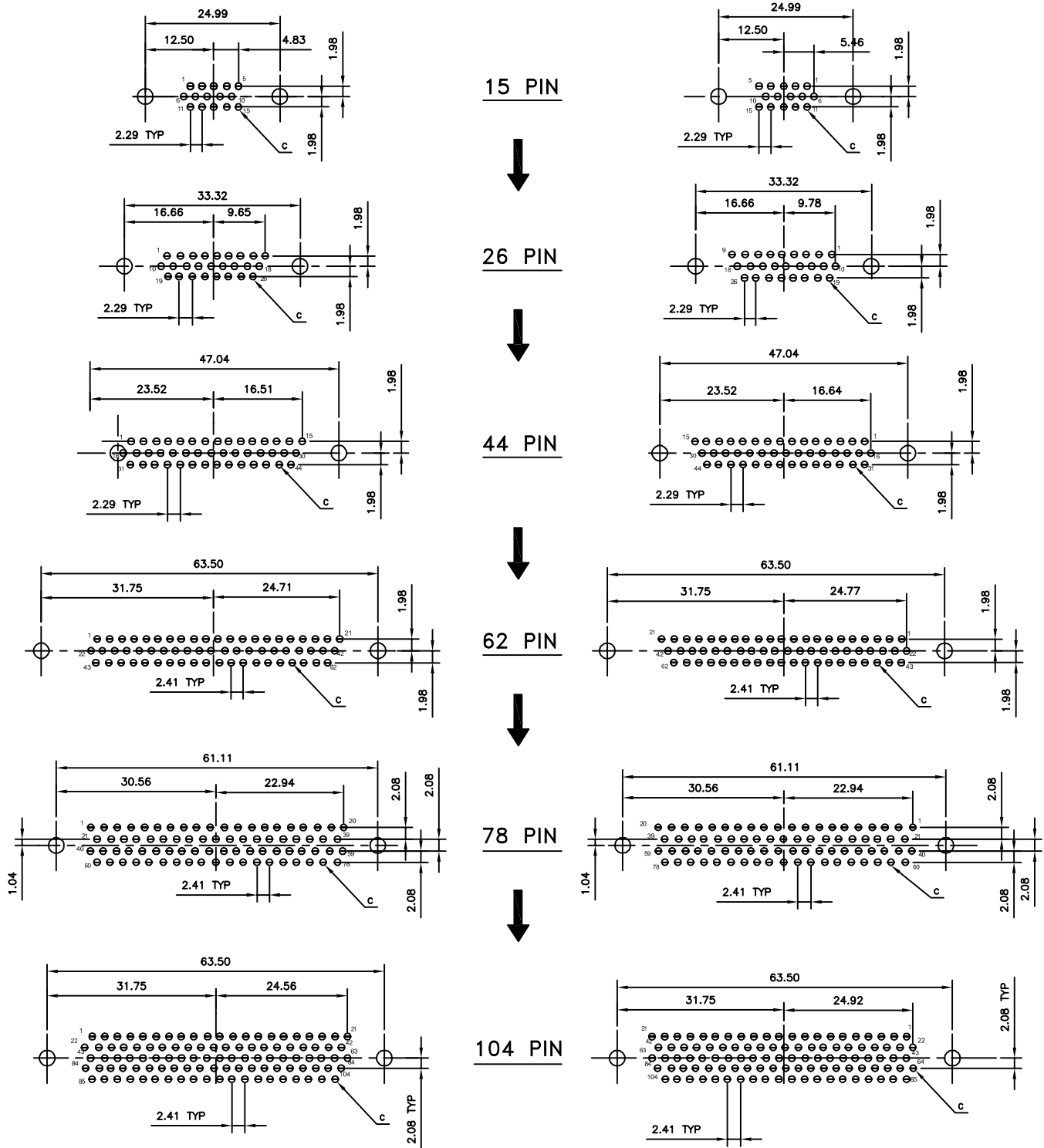


50 positions

Mount Connector With Mating Face Positioned To Direction Of Arrow

MALE

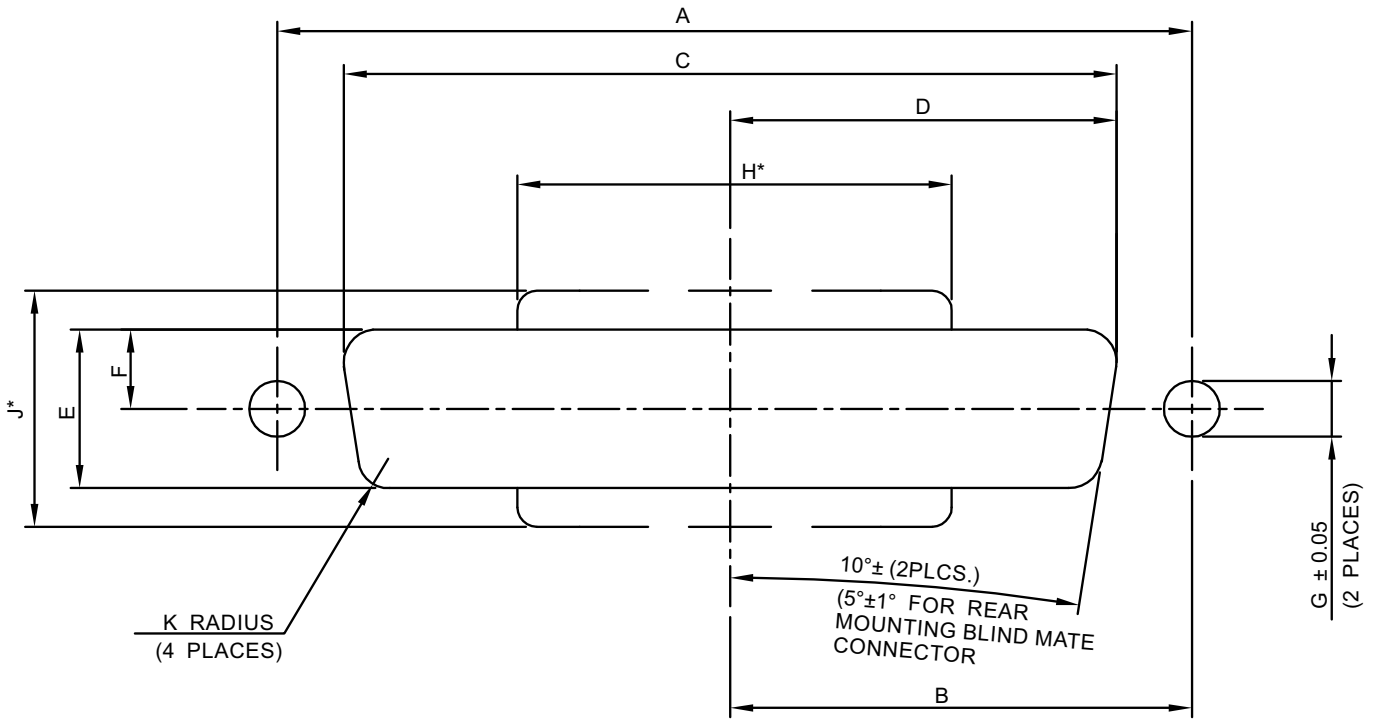
FEMALE



1. C - $\varnothing 0.89$ HOLE FOR CONTACT TERMINATION POSITION
 2. MOUNT CONNECTOR WITH MATING FACE POSITIONED TO DIRECTION OF ARROW

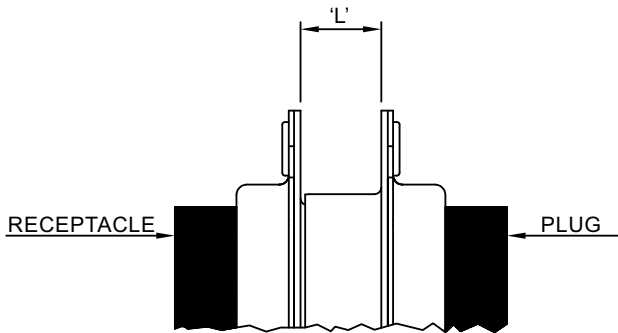
PANEL CUTOUT :-

1. D-SUB CONNECTORS ARE DESIGNED FOR RACK AND PANEL APPLICATIONS. BEFORE MAKING THE PANEL CUTOUT, DETERMINE THE NUMBER OF PINS IN THE CONNECTOR AND WHETHER THE CONNECTOR HAS FLOATING BUSHING, THEN USING THE CLEARANCE DIMENSIONS PROVIDED IN ABOVE FIGURE, DETERMINE WHETHER YOU ARE GOING TO FRONT OR BACK MOUNT THE CONNECTOR. NOW MAKE A CUTOUT IN THE PANEL USING THE DIMENSION SHOWN IN THE DIMENSION TABLE.



NOTES :-

1. * PANEL CUTOUT CONFIGURATION WITH THESE DIMENSIONS PROVIDES CLEARANCE FOR MOUNTING CONNECTORS WITH CABLE CLAMP ASSEMBLIES.
2. WHEN FRONT MOUNTING MIL-DTL-24308 CONNECTOR UTILIZING THE TAB METHOD OF SECURING SHELL HALVES, IT IS RECOMMENDED TO UTILIZE A 0.81MM THICK WASHER (NOT SUPPLIED) TO PREVENT DEFORMATION OF THE CONNECTOR FLANGE.



PLUG-RECEPTACLE MATING

| SHELL SIZE | DIMENSION 'L' MM(INCHES) |
|------------|--------------------------|
| 1,2 | 6.35-7.11 (.250-.280) |
| 3,4,5,6 | 6.12-6.88 (.241-.271) |

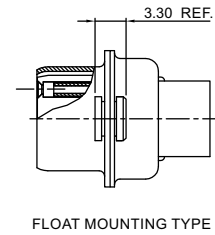
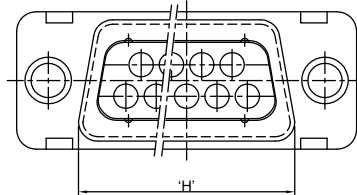
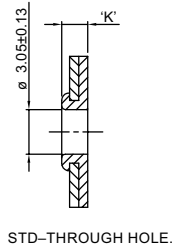
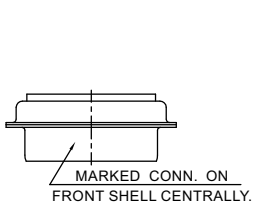
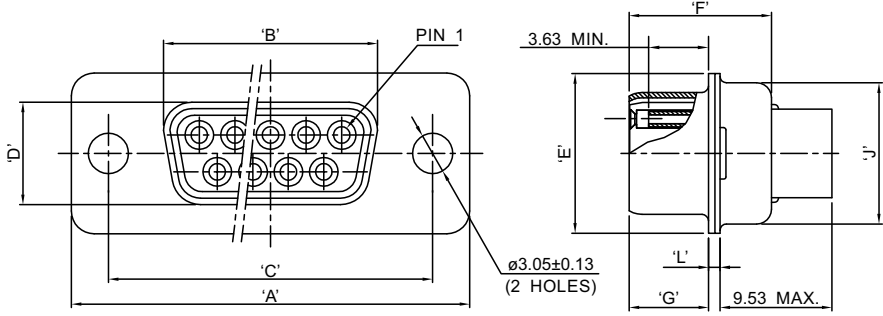
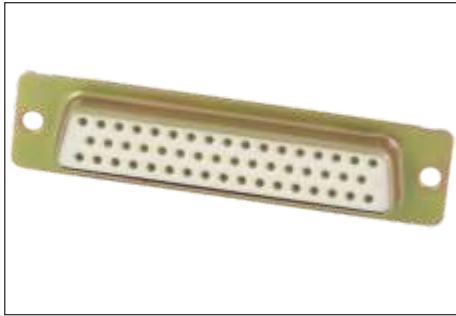
NOTES :-

1. THE 'L' DIMENSION IS NECESSARY FOR FULL MATING OF CONNECTOR HALVES (FLANGE). THE DIMENSION MUST BE TAKEN INTO CONSIDERATION WHEN DETERMINING THE METHOD OF MOUNTING, PANEL THICKNESS ETC.

Dimension Table :-

| SHELL SIZE | NO. OF PINS | | MOUNTING METHOD | | DIMENSIONS IN MM(INCHES) | | | | | | | | | |
|------------|-------------|------|---------------------|----------------------------------|--------------------------|------------------|------------------|------------------|-----------------|----------------|----------------|------------------|-----------------|-----------------|
| | STD. | HIGH | FRONT OR REAR PANEL | WITH OR WITHOUT FLOATING BUSHING | A | B | C | D | E | F | G | H* | J* | K |
| 1 | 09 | 15 | FRONT | WITH | 24.99 (0.984) | 12.50 (0.492) | 23.01 (.906) | 11.51 (.453) | 13.84 (.545) | 6.93 (.273) | 2.24 (.088) | - | - | 2.11 (0.083) |
| | | | | WITHOUT | | | 22.20 (.874) | 11.10 (.437) | 13.03 (.513) | 6.53 (.257) | 3.05 (.120) | - | - | |
| | | | REAR | WITH | | | 21.29 (.838) | 10.64 (.419) | 12.22 (.481) | 6.12 (.241) | 2.24 (.088) | 8.43 (.332) | 16.81 (.662) | 3.35 (.132) |
| | | | | WITHOUT | | | 20.47 (.806) | 10.24 (.403) | 11.40 (.449) | 5.72 (.225) | 3.05 (.120) | 7.62 (.033) | 16.00 (.630) | |
| 2 | 15 | 26 | FRONT | WITH | 33.32 (1.312) | 16.66 (0.656) | 31.34 (1.234) | 15.67 (.617) | 13.84 (.545) | 6.93 (.273) | 2.24 (.088) | - | - | 2.11 (0.083) |
| | | | | WITHOUT | | | 30.53 (1.202) | 15.27 (.601) | 13.03 (.513) | 6.53 (.257) | 3.05 (.120) | - | - | |
| | | | REAR | WITH | | | 29.62 (1.166) | 14.81 (.583) | 12.22 (.481) | 6.12 (.241) | 2.24 (.088) | 16.89 (.665) | 16.81 (.662) | 3.35 (.132) |
| | | | | WITHOUT | | | 28.80 (1.134) | 14.40 (.567) | 11.40 (.449) | 5.72 (.225) | 3.05 (.120) | 15.82 (.623) | 16.00 (.630) | |
| 3 | 25 | 44 | FRONT | WITH | 47.04 (1.842) | 23.52 (0.926) | 45.09 (1.775) | 22.55 (.888) | 13.84 (.545) | 6.93 (.273) | 2.24 (.088) | - | - | 2.11 (0.083) |
| | | | | WITHOUT | | | 44.27 (1.743) | 22.15 (.872) | 13.03 (.513) | 6.53 (.257) | 3.05 (.120) | - | - | |
| | | | REAR | WITH | | | 43.33 (1.706) | 21.67 (.853) | 12.22 (.481) | 6.12 (.241) | 2.24 (.088) | 30.04 (1.197) | 16.81 (.662) | 3.35 (.132) |
| | | | | WITHOUT | | | 42.52 (1.674) | 21.26 (.837) | 11.40 (.449) | 5.72 (.225) | 3.05 (.120) | 29.59 (1.165) | 16.00 (.630) | |
| 4 | 37 | 62 | FRONT | WITH | 63.50 (2.500) | 31.75 (1.250) | 61.17 (2.423) | 30.78 (1.212) | 13.84 (.545) | 6.93 (.273) | 2.24 (.088) | - | - | 2.11 (0.083) |
| | | | | WITHOUT | | | 60.73 (2.391) | 30.38 (1.196) | 13.03 (.513) | 6.53 (.257) | 3.05 (.120) | - | - | |
| | | | REAR | WITH | | | 59.79 (2.354) | 29.90 (1.177) | 12.22 (.481) | 6.12 (.241) | 2.24 (.088) | 46.86 (1.845) | 16.81 (.662) | 3.35 (.132) |
| | | | | WITHOUT | | | 59.08 (2.326) | 29.54 (1.163) | 11.40 (.449) | 5.72 (.225) | 3.05 (.120) | 46.05 (1.813) | 16.00 (.630) | |
| 5 | 50 | 78 | FRONT | WITH | 61.11 (2.406) | 30.56 (1.203) | 59.16 (2.326) | 29.59 (1.165) | 16.64 (.655) | 8.33 (.328) | 2.24 (.088) | - | - | 2.11 (0.083) |
| | | | | WITHOUT | | | 58.34 (2.297) | 29.18 (1.149) | 15.82 (.623) | 7.92 (.312) | 3.05 (.120) | - | - | |
| | | | REAR | WITH | | | 57.15 (2.250) | 28.58 (1.125) | 14.91 (.587) | 7.47 (.294) | 2.24 (.088) | 44.20 (1.740) | 19.61 (.772) | 3.35 (.132) |
| | | | | WITHOUT | | | 56.34 (2.218) | 28.17 (1.109) | 14.10 (.555) | 7.06 (.278) | 3.05 (.120) | 43.38 (1.708) | 18.80 (.740) | |
| 6 | - | 104 | FRONT | WITH | 63.50 (2.500) | 31.75 (1.205) | 62.31 (2.453) | 31.17 (1.227) | 18.21 (.717) | 9.12 (.359) | 2.24 (.088) | - | - | 2.11 (0.083) |
| | | | | WITHOUT | | | 61.49 (2.421) | 30.76 (1.211) | 17.40 (.685) | 8.71 (.343) | 3.05 (.120) | - | - | |
| | | | REAR | WITH | | | 60.66 (2.388) | 30.33 (1.194) | 16.61 (.654) | 8.31 (.327) | 2.24 (.088) | 47.64 (1.875) | 21.21 (.835) | 3.35 (.132) |
| | | | | WITHOUT | | | 59.84 (2.356) | 29.92 (1.179) | 15.79 (.622) | 7.90 (.311) | 3.05 (.120) | 46.81 (1.843) | 20.40 (.803) | |

S tandard Density Crimp Type – Socket Connector

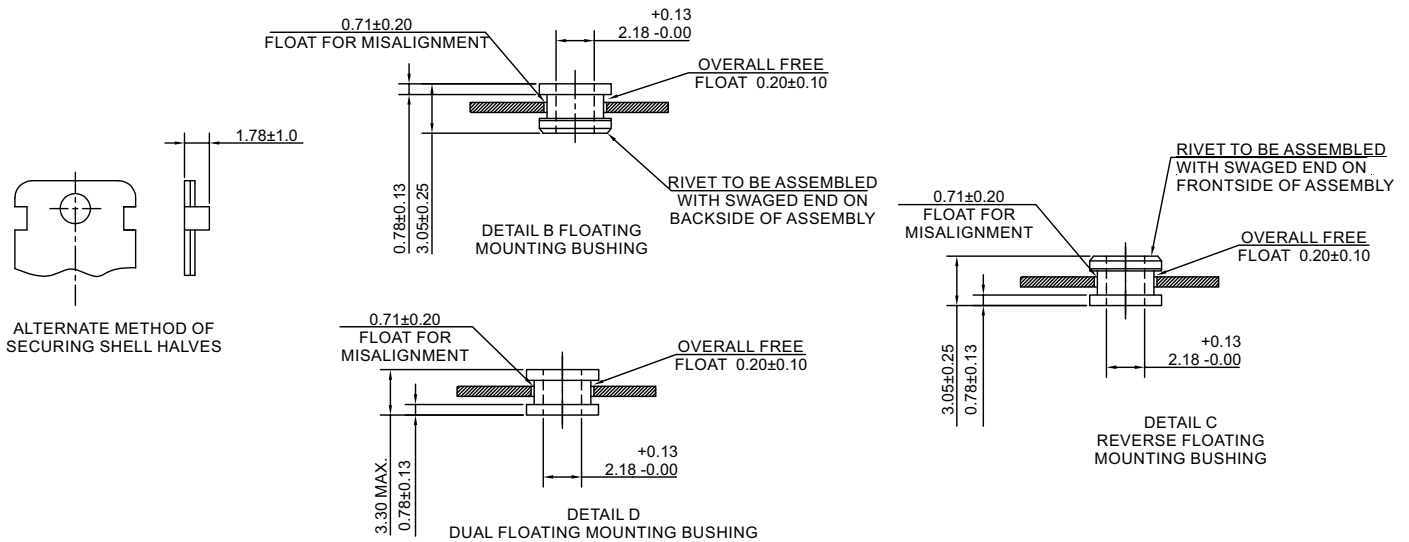


DIMENSION TABLE :-

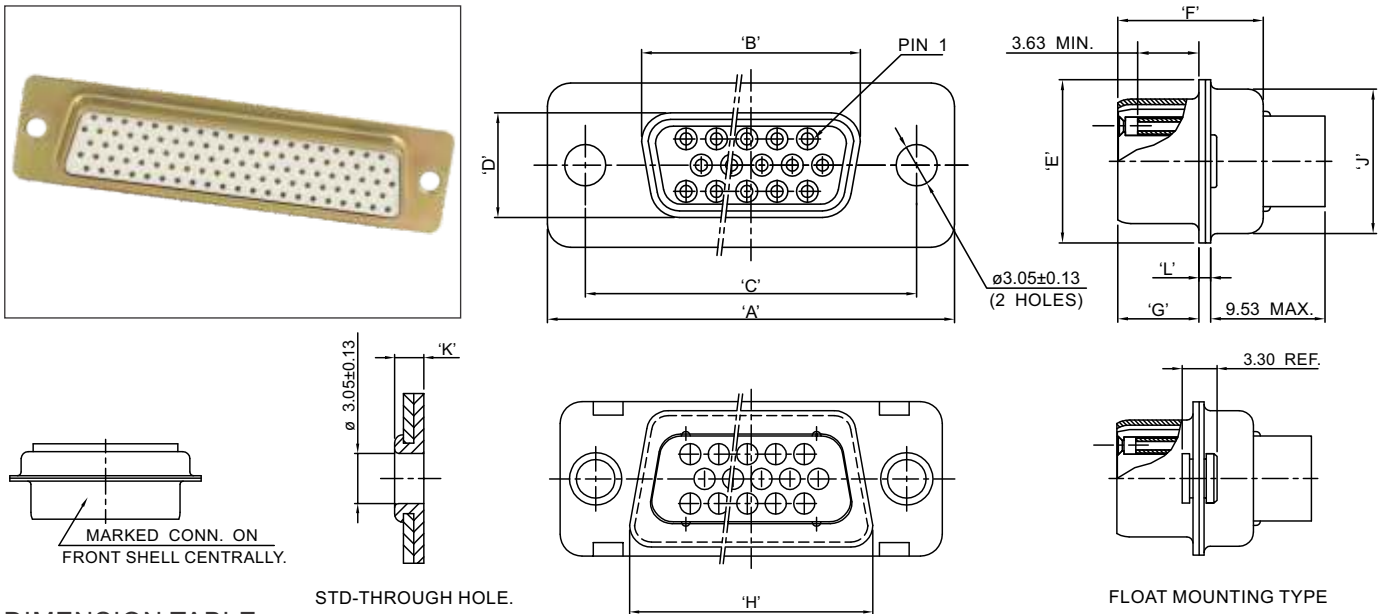
| SHELL SIZE | STANDARD DENSITY NO. OF PINS | 'A' | 'B' | 'C' | 'D' | | 'E' | 'F' | 'G' | 'H' | | 'J' | 'K' | 'L' |
|------------|---------------------------------|-------|-------|-------|-------|-------|-------|------|-------|-------|-------|-----|-----|------|
| | | | | | | | | | | | | | | |
| 1 | 09 | 30.43 | 16.21 | 24.87 | | | | | | 19.02 | | | | 0.51 |
| | | | | | | | | | | | | | | |
| 2 | 15 | 38.76 | 24.54 | 33.20 | | | | | | 27.25 | | | | 0.51 |
| | | | | | | | | | | | | | | |
| 3 | 25 | 52.65 | 38.25 | 46.91 | 7.67 | 12.17 | 10.64 | 6.05 | 41.02 | 10.46 | 0.89 | | | 0.74 |
| | | | | | | | | | | | | | | |
| 4 | 37 | 68.94 | 54.71 | 63.37 | | | | | | 57.45 | | | | 0.74 |
| | | | | | | | | | | | | | | |
| 5 | 50 | 66.55 | 52.30 | 60.99 | 10.62 | 14.99 | | | | 55.07 | 13.31 | | | 0.74 |
| | | | | | | | | | | | | | | |

NOTE :-

1. CONTACT SHOWS ONLY FOR REFERENCE



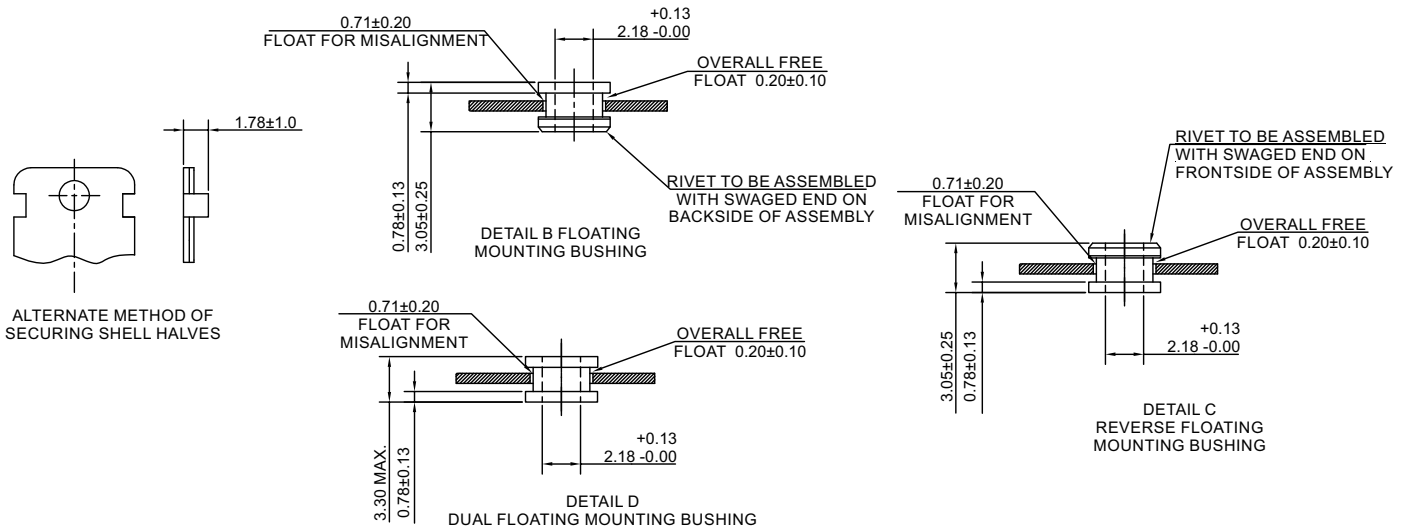
D-SUB SOCKET CONNECTOR ASSEMBLY WITH CRIMP SOCKET CONTACT (15 TO 104 PIN)



DIMENSION TABLE :-

| SHELL SIZE | STANDARD DENSITY NO. OF PINS | 'A' | 'B' | 'C' | 'D' | 'E' | 'F' | 'G' | 'H' | 'J' | 'K' | 'L' |
|------------|---------------------------------|----------------|----------------|----------------|----------------|----------------|----------------|--------------|----------------|----------------|----------------|--------------|
| | | 1 | 15 | 30.43 31.19 | 16.21 16.46 | 24.87 25.12 | | | | | 19.02 19.53 | |
| 2 | 26 | 38.76 39.52 | 24.54 24.79 | 33.20 33.45 | | | | | 27.25 27.76 | | | 0.51 1.02 |
| 3 | 44 | 52.65 53.42 | 38.25 38.51 | 46.91 47.17 | 7.67 8.03 | 12.17 12.93 | 10.64 11.15 | 6.05 6.30 | 41.02 41.53 | 10.46 10.97 | 0.89 1.52 | 0.74 1.25 |
| 4 | 62 | 68.94 69.70 | 54.71 54.97 | 63.37 63.63 | | | | | 57.45 57.96 | | | 0.74 1.25 |
| 5 | 78 | 66.55 67.31 | 52.30 52.55 | 60.99 61.24 | 10.62 10.87 | 14.99 15.75 | | | 55.07 55.58 | 13.31 13.82 | | 0.74 1.25 |
| 6 | 104 | 68.94 69.70 | 55.47 55.73 | 63.37 63.63 | 12.19 12.45 | 16.59 17.35 | | | 58.22 58.72 | 14.88 15.39 | | 0.74 1.25 |

NOTE: 1. CONTACT SHOWS ONLY FOR REFERENCE





Approved Part List QPL Crimp Socket Connector (With Magnetic Shell)

| Sr. No. | Military Designation | Manufacturers Designation | Type | No. of Pins | Crimp Contact | I R Tool | Marking On The Connector |
|---------|----------------------|---------------------------|--------------|-------------|---------------|----------|--------------------------|
| 1 | M24308/2-1F | M2000/2-1F | Standard | 9 | ✓ | ✗ | M24308/2-1F |
| 2 | M24308/2-2F | M2000/2-2F | Standard | 15 | ✓ | ✗ | M24308/2-2F |
| 3 | M24308/2-3F | M2000/2-3F | Standard | 25 | ✓ | ✗ | M24308/2-3F |
| 4 | M24308/2-4F | M2000/2-4F | Standard | 37 | ✓ | ✗ | M24308/2-4F |
| 5 | M24308/2-5F | M2000/2-5F | Standard | 50 | ✓ | ✗ | M24308/2-5F |
| 6 | M24308/2-6F | M2000/2-6F | Standard | 9 | ✓ | ✓ | M24308/2-1F |
| 7 | M24308/2-7F | M2000/2-7F | Standard | 15 | ✓ | ✓ | M24308/2-2F |
| 8 | M24308/2-8F | M2000/2-8F | Standard | 25 | ✓ | ✓ | M24308/2-3F |
| 9 | M24308/2-9F | M2000/2-9F | Standard | 37 | ✓ | ✓ | M24308/2-4F |
| 10 | M24308/2-10F | M2000/2-10F | Standard | 50 | ✓ | ✓ | M24308/2-5F |
| 11 | M24308/2-281F | M2000/2-281F | Standard | 9 | ✗ | ✗ | M24308/2-1F |
| 12 | M24308/2-282F | M2000/2-282F | Standard | 15 | ✗ | ✗ | M24308/2-2F |
| 13 | M24308/2-283F | M2000/2-283F | Standard | 25 | ✗ | ✗ | M24308/2-3F |
| 14 | M24308/2-284F | M2000/2-284F | Standard | 37 | ✗ | ✗ | M24308/2-4F |
| 15 | M24308/2-285F | M2000/2-285F | Standard | 50 | ✗ | ✗ | M24308/2-5F |
| 16 | M24308/2-11F | M2000/2-11F | High Density | 15 | ✓ | ✗ | M24308/2-11F |
| 17 | M24308/2-12F | M2000/2-12F | High Density | 26 | ✓ | ✗ | M24308/2-12F |
| 18 | M24308/2-13F | M2000/2-13F | High Density | 44 | ✓ | ✗ | M24308/2-13F |
| 19 | M24308/2-14F | M2000/2-14F | High Density | 62 | ✓ | ✗ | M24308/2-14F |
| 20 | M24308/2-15F | M2000/2-15F | High Density | 78 | ✓ | ✗ | M24308/2-15F |
| 21 | M24308/2-16F | M2000/2-16F | High Density | 104 | ✓ | ✗ | M24308/2-16F |
| 22 | M24308/2-17F | M2000/2-17F | High Density | 15 | ✓ | ✓ | M24308/2-11F |
| 23 | M24308/2-18F | M2000/2-18F | High Density | 26 | ✓ | ✓ | M24308/2-12F |
| 24 | M24308/2-19F | M2000/2-19F | High Density | 44 | ✓ | ✓ | M24308/2-13F |
| 25 | M24308/2-20F | M2000/2-20F | High Density | 62 | ✓ | ✓ | M24308/2-14F |
| 26 | M24308/2-21F | M2000/2-21F | High Density | 78 | ✓ | ✓ | M24308/2-15F |
| 27 | M24308/2-22F | M2000/2-22F | High Density | 104 | ✓ | ✓ | M24308/2-16F |
| 28 | M24308/2-286F | M2000/2-286F | High Density | 15 | ✗ | ✗ | M24308/2-11F |
| 29 | M24308/2-287F | M2000/2-287F | High Density | 26 | ✗ | ✗ | M24308/2-12F |
| 30 | M24308/2-288F | M2000/2-288F | High Density | 44 | ✗ | ✗ | M24308/2-13F |
| 31 | M24308/2-289F | M2000/2-289F | High Density | 62 | ✗ | ✗ | M24308/2-14F |
| 32 | M24308/2-290F | M2000/2-290F | High Density | 78 | ✗ | ✗ | M24308/2-15F |
| 33 | M24308/2-291F | M2000/2-291F | High Density | 104 | ✗ | ✗ | M24308/2-16F |

✓ – Included with connector
✗ – Not included with connector



Approved Part List QPL Crimp Socket Connector (With Magnetic Shell)

| Sr. No. | Military Designation | Manufacturers Designation | Type | No. of Pins | Crimp Contact | I R Tool | Marking On The Connector |
|---------|----------------------|---------------------------|--------------|-------------|---------------|----------|--------------------------|
| 34 | M24308/2-1Z | M2000/2-1Z | Standard | 9 | ✓ | ✗ | M24308/2-1Z |
| 35 | M24308/2-2Z | M2000/2-2Z | Standard | 15 | ✓ | ✗ | M24308/2-2Z |
| 36 | M24308/2-3Z | M2000/2-3Z | Standard | 25 | ✓ | ✗ | M24308/2-3Z |
| 37 | M24308/2-4Z | M2000/2-4Z | Standard | 37 | ✓ | ✗ | M24308/2-4Z |
| 38 | M24308/2-5Z | M2000/2-5Z | Standard | 50 | ✓ | ✗ | M24308/2-5Z |
| 39 | M24308/2-6Z | M2000/2-6Z | Standard | 9 | ✓ | ✓ | M24308/2-1Z |
| 40 | M24308/2-7Z | M2000/2-7Z | Standard | 15 | ✓ | ✓ | M24308/2-2Z |
| 41 | M24308/2-8Z | M2000/2-8Z | Standard | 25 | ✓ | ✓ | M24308/2-3Z |
| 42 | M24308/2-9Z | M2000/2-9Z | Standard | 37 | ✓ | ✓ | M24308/2-4Z |
| 43 | M24308/2-10Z | M2000/2-10Z | Standard | 50 | ✓ | ✓ | M24308/2-5Z |
| 44 | M24308/2-281Z | M2000/2-281Z | Standard | 9 | ✗ | ✗ | M24308/2-1Z |
| 45 | M24308/2-282Z | M2000/2-282Z | Standard | 15 | ✗ | ✗ | M24308/2-2Z |
| 46 | M24308/2-283Z | M2000/2-283Z | Standard | 25 | ✗ | ✗ | M24308/2-3Z |
| 47 | M24308/2-284Z | M2000/2-284Z | Standard | 37 | ✗ | ✗ | M24308/2-4Z |
| 48 | M24308/2-285Z | M2000/2-285Z | Standard | 50 | ✗ | ✗ | M24308/2-5Z |
| 49 | M24308/2-11Z | M2000/2-11Z | High Density | 15 | ✓ | ✗ | M24308/2-11Z |
| 50 | M24308/2-12Z | M2000/2-12Z | High Density | 26 | ✓ | ✗ | M24308/2-12Z |
| 51 | M24308/2-13Z | M2000/2-13Z | High Density | 44 | ✓ | ✗ | M24308/2-13Z |
| 52 | M24308/2-14Z | M2000/2-14Z | High Density | 62 | ✓ | ✗ | M24308/2-14Z |
| 53 | M24308/2-15Z | M2000/2-15Z | High Density | 78 | ✓ | ✗ | M24308/2-15Z |
| 54 | M24308/2-16Z | M2000/2-16Z | High Density | 104 | ✓ | ✗ | M24308/2-16Z |
| 55 | M24308/2-17Z | M2000/2-17Z | High Density | 15 | ✓ | ✓ | M24308/2-11Z |
| 56 | M24308/2-18Z | M2000/2-18Z | High Density | 26 | ✓ | ✓ | M24308/2-12Z |
| 57 | M24308/2-19Z | M2000/2-19Z | High Density | 44 | ✓ | ✓ | M24308/2-13Z |
| 58 | M24308/2-20Z | M2000/2-20Z | High Density | 62 | ✓ | ✓ | M24308/2-14Z |
| 59 | M24308/2-21Z | M2000/2-21Z | High Density | 78 | ✓ | ✓ | M24308/2-15Z |
| 60 | M24308/2-22Z | M2000/2-22Z | High Density | 104 | ✓ | ✓ | M24308/2-16Z |
| 61 | M24308/2-286Z | M2000/2-286Z | High Density | 15 | ✗ | ✗ | M24308/2-11Z |
| 62 | M24308/2-287Z | M2000/2-287Z | High Density | 26 | ✗ | ✗ | M24308/2-12Z |
| 63 | M24308/2-288Z | M2000/2-288Z | High Density | 44 | ✗ | ✗ | M24308/2-13Z |
| 64 | M24308/2-289Z | M2000/2-289Z | High Density | 62 | ✗ | ✗ | M24308/2-14Z |
| 65 | M24308/2-290Z | M2000/2-290Z | High Density | 78 | ✗ | ✗ | M24308/2-15Z |
| 66 | M24308/2-291Z | M2000/2-291Z | High Density | 104 | ✗ | ✗ | M24308/2-16Z |

✓ – Included with connector
✗ – Not included with connector

| Sr. No. | Military Designation | Manufacturers Designation | Type | No. of Pins | Crimp Contact | I R Tool | Marking On The Connector |
|---------|----------------------|---------------------------|--------------|-------------|---------------|----------|--------------------------|
| 100 | M24308/2-516 | M2000/2-516 | Standard | 9 | ✓ | ✗ | M24308/2-516 |
| 101 | M24308/2-517 | M2000/2-517 | Standard | 15 | ✓ | ✗ | M24308/2-517 |
| 102 | M24308/2-518 | M2000/2-518 | Standard | 25 | ✓ | ✗ | M24308/2-518 |
| 103 | M24308/2-519 | M2000/2-519 | Standard | 37 | ✓ | ✗ | M24308/2-519 |
| 104 | M24308/2-520 | M2000/2-520 | Standard | 50 | ✓ | ✗ | M24308/2-520 |
| 105 | M24308/2-521 | M2000/2-521 | Standard | 9 | ✓ | ✓ | M24308/2-516 |
| 106 | M24308/2-522 | M2000/2-522 | Standard | 15 | ✓ | ✓ | M24308/2-517 |
| 107 | M24308/2-523 | M2000/2-523 | Standard | 25 | ✓ | ✓ | M24308/2-518 |
| 108 | M24308/2-524 | M2000/2-524 | Standard | 37 | ✓ | ✓ | M24308/2-519 |
| 109 | M24308/2-525 | M2000/2-525 | Standard | 50 | ✓ | ✓ | M24308/2-520 |
| 110 | M24308/2-560 | M2000/2-560 | Standard | 9 | ✗ | ✗ | M24308/2-516 |
| 111 | M24308/2-561 | M2000/2-561 | Standard | 15 | ✗ | ✗ | M24308/2-517 |
| 112 | M24308/2-562 | M2000/2-562 | Standard | 25 | ✗ | ✗ | M24308/2-518 |
| 113 | M24308/2-563 | M2000/2-563 | Standard | 37 | ✗ | ✗ | M24308/2-519 |
| 114 | M24308/2-564 | M2000/2-564 | Standard | 50 | ✗ | ✗ | M24308/2-520 |
| 115 | M24308/2-526 | M2000/2-526 | High Density | 15 | ✓ | ✗ | M24308/2-526 |
| 116 | M24308/2-527 | M2000/2-527 | High Density | 26 | ✓ | ✗ | M24308/2-527 |
| 117 | M24308/2-528 | M2000/2-528 | High Density | 44 | ✓ | ✗ | M24308/2-528 |
| 118 | M24308/2-529 | M2000/2-529 | High Density | 62 | ✓ | ✗ | M24308/2-529 |
| 119 | M24308/2-530 | M2000/2-530 | High Density | 78 | ✓ | ✗ | M24308/2-530 |
| 120 | M24308/2-531 | M2000/2-531 | High Density | 104 | ✓ | ✗ | M24308/2-531 |
| 121 | M24308/2-532 | M2000/2-532 | High Density | 15 | ✓ | ✓ | M24308/2-526 |
| 122 | M24308/2-533 | M2000/2-533 | High Density | 26 | ✓ | ✓ | M24308/2-527 |
| 123 | M24308/2-534 | M2000/2-534 | High Density | 44 | ✓ | ✓ | M24308/2-528 |
| 124 | M24308/2-535 | M2000/2-535 | High Density | 62 | ✓ | ✓ | M24308/2-529 |
| 125 | M24308/2-536 | M2000/2-536 | High Density | 78 | ✓ | ✓ | M24308/2-530 |
| 126 | M24308/2-537 | M2000/2-537 | High Density | 104 | ✓ | ✓ | M24308/2-531 |
| 127 | M24308/2-565 | M2000/2-565 | High Density | 15 | ✗ | ✗ | M24308/2-526 |
| 128 | M24308/2-566 | M2000/2-566 | High Density | 26 | ✗ | ✗ | M24308/2-527 |
| 129 | M24308/2-567 | M2000/2-567 | High Density | 44 | ✗ | ✗ | M24308/2-528 |
| 130 | M24308/2-568 | M2000/2-568 | High Density | 62 | ✗ | ✗ | M24308/2-529 |
| 131 | M24308/2-569 | M2000/2-569 | High Density | 78 | ✗ | ✗ | M24308/2-530 |
| 132 | M24308/2-570 | M2000/2-570 | High Density | 104 | ✗ | ✗ | M24308/2-531 |

✓ – Included with connector

✗ – Not included with connector

| Sr. No. | Military Designation | Manufacturers Designation | Type | No. of Pins | Crimp Contact | I R Tool | Marking On The Connector |
|---------|----------------------|---------------------------|--------------|-------------|---------------|----------|--------------------------|
| 67 | M24308/2-1K | M2000/2-1K | Standard | 9 | ✓ | ✗ | M24308/2-1K |
| 68 | M24308/2-2K | M2000/2-2K | Standard | 15 | ✓ | ✗ | M24308/2-2K |
| 69 | M24308/2-3K | M2000/2-3K | Standard | 25 | ✓ | ✗ | M24308/2-3K |
| 70 | M24308/2-4K | M2000/2-4K | Standard | 37 | ✓ | ✗ | M24308/2-4K |
| 71 | M24308/2-5K | M2000/2-5K | Standard | 50 | ✓ | ✗ | M24308/2-5K |
| 72 | M24308/2-6K | M2000/2-6K | Standard | 9 | ✓ | ✓ | M24308/2-1K |
| 73 | M24308/2-7K | M2000/2-7K | Standard | 15 | ✓ | ✓ | M24308/2-2K |
| 74 | M24308/2-8K | M2000/2-8K | Standard | 25 | ✓ | ✓ | M24308/2-3K |
| 75 | M24308/2-9K | M2000/2-9K | Standard | 37 | ✓ | ✓ | M24308/2-4K |
| 76 | M24308/2-10K | M2000/2-10K | Standard | 50 | ✓ | ✓ | M24308/2-5K |
| 77 | M24308/2-281K | M2000/2-281K | Standard | 9 | ✗ | ✗ | M24308/2-1K |
| 78 | M24308/2-282K | M2000/2-282K | Standard | 15 | ✗ | ✗ | M24308/2-2K |
| 79 | M24308/2-283K | M2000/2-283K | Standard | 25 | ✗ | ✗ | M24308/2-3K |
| 80 | M24308/2-284K | M2000/2-284K | Standard | 37 | ✗ | ✗ | M24308/2-4K |
| 81 | M24308/2-285K | M2000/2-285K | Standard | 50 | ✗ | ✗ | M24308/2-5K |
| 82 | M24308/2-11K | M2000/2-11K | High Density | 15 | ✓ | ✗ | M24308/2-11K |
| 83 | M24308/2-12K | M2000/2-12K | High Density | 26 | ✓ | ✗ | M24308/2-12K |
| 84 | M24308/2-13K | M2000/2-13K | High Density | 44 | ✓ | ✗ | M24308/2-13K |
| 85 | M24308/2-14K | M2000/2-14K | High Density | 62 | ✓ | ✗ | M24308/2-14K |
| 86 | M24308/2-15K | M2000/2-15K | High Density | 78 | ✓ | ✗ | M24308/2-15K |
| 87 | M24308/2-16K | M2000/2-16K | High Density | 104 | ✓ | ✗ | M24308/2-16K |
| 88 | M24308/2-17K | M2000/2-17K | High Density | 15 | ✓ | ✓ | M24308/2-11K |
| 89 | M24308/2-18K | M2000/2-18K | High Density | 26 | ✓ | ✓ | M24308/2-12K |
| 90 | M24308/2-19K | M2000/2-19K | High Density | 44 | ✓ | ✓ | M24308/2-13K |
| 91 | M24308/2-20K | M2000/2-20K | High Density | 62 | ✓ | ✓ | M24308/2-14K |
| 92 | M24308/2-21K | M2000/2-21K | High Density | 78 | ✓ | ✓ | M24308/2-15K |
| 93 | M24308/2-22K | M2000/2-22K | High Density | 104 | ✓ | ✓ | M24308/2-16K |
| 94 | M24308/2-286K | M2000/2-286K | High Density | 15 | ✗ | ✗ | M24308/2-11K |
| 95 | M24308/2-287K | M2000/2-287K | High Density | 26 | ✗ | ✗ | M24308/2-12K |
| 96 | M24308/2-288K | M2000/2-288K | High Density | 44 | ✗ | ✗ | M24308/2-13K |
| 97 | M24308/2-289K | M2000/2-289K | High Density | 62 | ✗ | ✗ | M24308/2-14K |
| 98 | M24308/2-290K | M2000/2-290K | High Density | 78 | ✗ | ✗ | M24308/2-15K |
| 99 | M24308/2-291K | M2000/2-291K | High Density | 104 | ✗ | ✗ | M24308/2-16K |

✓ – Included with connector

✗ – Not included with connector

| Sr. No. | Military Designation | Manufacturers Designation | Type | No. of Pins | Crimp Contact | I R Tool | Marking On The Connector |
|---------|----------------------|---------------------------|--------------|-------------|---------------|----------|--------------------------|
| 1 | M24308/6-1F | M2000/6-1F | Standard | 9 | ✓ | ✗ | M24308/6-1F |
| 2 | M24308/6-2F | M2000/6-2F | Standard | 15 | ✓ | ✗ | M24308/6-2F |
| 3 | M24308/6-3F | M2000/6-3F | Standard | 25 | ✓ | ✗ | M24308/6-3F |
| 4 | M24308/6-4F | M2000/6-4F | Standard | 37 | ✓ | ✗ | M24308/6-4F |
| 5 | M24308/6-5F | M2000/6-5F | Standard | 50 | ✓ | ✗ | M24308/6-5F |
| 6 | M24308/6-6F | M2000/6-6F | Standard | 9 | ✓ | ✓ | M24308/6-1F |
| 7 | M24308/6-7F | M2000/6-7F | Standard | 15 | ✓ | ✓ | M24308/6-2F |
| 8 | M24308/6-8F | M2000/6-8F | Standard | 25 | ✓ | ✓ | M24308/6-3F |
| 9 | M24308/6-9F | M2000/6-9F | Standard | 37 | ✓ | ✓ | M24308/6-4F |
| 10 | M24308/6-10F | M2000/6-10F | Standard | 50 | ✓ | ✓ | M24308/6-5F |
| 11 | M24308/6-281F | M2000/6-281F | Standard | 9 | ✗ | ✗ | M24308/6-1F |
| 12 | M24308/6-282F | M2000/6-282F | Standard | 15 | ✗ | ✗ | M24308/6-2F |
| 13 | M24308/6-283F | M2000/6-283F | Standard | 25 | ✗ | ✗ | M24308/6-3F |
| 14 | M24308/6-284F | M2000/6-284F | Standard | 37 | ✗ | ✗ | M24308/6-4F |
| 15 | M24308/6-285F | M2000/6-285F | Standard | 50 | ✗ | ✗ | M24308/6-5F |
| 16 | M24308/6-11F | M2000/6-11F | High Density | 15 | ✓ | ✗ | M24308/6-11F |
| 17 | M24308/6-12F | M2000/6-12F | High Density | 26 | ✓ | ✗ | M24308/6-12F |
| 18 | M24308/6-13F | M2000/6-13F | High Density | 44 | ✓ | ✗ | M24308/6-13F |
| 19 | M24308/6-14F | M2000/6-14F | High Density | 62 | ✓ | ✗ | M24308/6-14F |
| 20 | M24308/6-15F | M2000/6-15F | High Density | 78 | ✓ | ✗ | M24308/6-15F |
| 21 | M24308/6-16F | M2000/6-16F | High Density | 104 | ✓ | ✗ | M24308/6-16F |
| 22 | M24308/6-17F | M2000/6-17F | High Density | 15 | ✓ | ✓ | M24308/6-11F |
| 23 | M24308/6-18F | M2000/6-18F | High Density | 26 | ✓ | ✓ | M24308/6-12F |
| 24 | M24308/6-19F | M2000/6-19F | High Density | 44 | ✓ | ✓ | M24308/6-13F |
| 25 | M24308/6-20F | M2000/6-20F | High Density | 62 | ✓ | ✓ | M24308/6-14F |
| 26 | M24308/6-21F | M2000/6-21F | High Density | 78 | ✓ | ✓ | M24308/6-15F |
| 27 | M24308/6-22F | M2000/6-22F | High Density | 104 | ✓ | ✓ | M24308/6-16F |
| 28 | M24308/6-286F | M2000/6-286F | High Density | 15 | ✗ | ✗ | M24308/6-11F |
| 29 | M24308/6-287F | M2000/6-287F | High Density | 26 | ✗ | ✗ | M24308/6-12F |
| 30 | M24308/6-288F | M2000/6-288F | High Density | 44 | ✗ | ✗ | M24308/6-13F |
| 31 | M24308/6-289F | M2000/6-289F | High Density | 62 | ✗ | ✗ | M24308/6-14F |
| 32 | M24308/6-290F | M2000/6-290F | High Density | 78 | ✗ | ✗ | M24308/6-15F |
| 33 | M24308/6-291F | M2000/6-291F | High Density | 104 | ✗ | ✗ | M24308/6-16F |

✓ – Included with connector

✗ – Not included with connector

| Sr. No. | Military Designation | Manufacturers Designation | Type | No. of Pins | Crimp Contact | I R Tool | Marking On The Connector |
|---------|----------------------|---------------------------|--------------|-------------|---------------|----------|--------------------------|
| 34 | M24308/6-1Z | M2000/6-1Z | Standard | 9 | ✓ | ✗ | M24308/6-1Z |
| 35 | M24308/6-2Z | M2000/6-2Z | Standard | 15 | ✓ | ✗ | M24308/6-2Z |
| 36 | M24308/6-3Z | M2000/6-3Z | Standard | 25 | ✓ | ✗ | M24308/6-3Z |
| 37 | M24308/6-4Z | M2000/6-4Z | Standard | 37 | ✓ | ✗ | M24308/6-4Z |
| 38 | M24308/6-5Z | M2000/6-5Z | Standard | 50 | ✓ | ✗ | M24308/6-5Z |
| 39 | M24308/6-6Z | M2000/6-6Z | Standard | 9 | ✓ | ✓ | M24308/6-1Z |
| 40 | M24308/6-7Z | M2000/6-7Z | Standard | 15 | ✓ | ✓ | M24308/6-2Z |
| 41 | M24308/6-8Z | M2000/6-8Z | Standard | 25 | ✓ | ✓ | M24308/6-3Z |
| 42 | M24308/6-9Z | M2000/6-9Z | Standard | 37 | ✓ | ✓ | M24308/6-4Z |
| 43 | M24308/6-10Z | M2000/6-10Z | Standard | 50 | ✓ | ✓ | M24308/6-5Z |
| 44 | M24308/6-281Z | M2000/6-281Z | Standard | 9 | ✗ | ✗ | M24308/6-1Z |
| 45 | M24308/6-282Z | M2000/6-282Z | Standard | 15 | ✗ | ✗ | M24308/6-2Z |
| 46 | M24308/6-283Z | M2000/6-283Z | Standard | 25 | ✗ | ✗ | M24308/6-3Z |
| 47 | M24308/6-284Z | M2000/6-284Z | Standard | 37 | ✗ | ✗ | M24308/6-4Z |
| 48 | M24308/6-285Z | M2000/6-285Z | Standard | 50 | ✗ | ✗ | M24308/6-5Z |
| 49 | M24308/6-11Z | M2000/6-11Z | High Density | 15 | ✓ | ✗ | M24308/6-11Z |
| 50 | M24308/6-12Z | M2000/6-12Z | High Density | 26 | ✓ | ✗ | M24308/6-12Z |
| 51 | M24308/6-13Z | M2000/6-13Z | High Density | 44 | ✓ | ✗ | M24308/6-13Z |
| 52 | M24308/6-14Z | M2000/6-14Z | High Density | 62 | ✓ | ✗ | M24308/6-14Z |
| 53 | M24308/6-15Z | M2000/6-15Z | High Density | 78 | ✓ | ✗ | M24308/6-15Z |
| 54 | M24308/6-16Z | M2000/6-16Z | High Density | 104 | ✓ | ✗ | M24308/6-16Z |
| 55 | M24308/6-17Z | M2000/6-17Z | High Density | 15 | ✓ | ✓ | M24308/6-11Z |
| 56 | M24308/6-18Z | M2000/6-18Z | High Density | 26 | ✓ | ✓ | M24308/6-12Z |
| 57 | M24308/6-19Z | M2000/6-19Z | High Density | 44 | ✓ | ✓ | M24308/6-13Z |
| 58 | M24308/6-20Z | M2000/6-20Z | High Density | 62 | ✓ | ✓ | M24308/6-14Z |
| 59 | M24308/6-21Z | M2000/6-21Z | High Density | 78 | ✓ | ✓ | M24308/6-15Z |
| 60 | M24308/6-22Z | M2000/6-22Z | High Density | 104 | ✓ | ✓ | M24308/6-16Z |
| 61 | M24308/6-286Z | M2000/6-286Z | High Density | 15 | ✗ | ✗ | M24308/6-11Z |
| 62 | M24308/6-287Z | M2000/6-287Z | High Density | 26 | ✗ | ✗ | M24308/6-12Z |
| 63 | M24308/6-288Z | M2000/6-288Z | High Density | 44 | ✗ | ✗ | M24308/6-13Z |
| 64 | M24308/6-289Z | M2000/6-289Z | High Density | 62 | ✗ | ✗ | M24308/6-14Z |
| 65 | M24308/6-290Z | M2000/6-290Z | High Density | 78 | ✗ | ✗ | M24308/6-15Z |
| 66 | M24308/6-291Z | M2000/6-291Z | High Density | 104 | ✗ | ✗ | M24308/6-16Z |

✓ – Included with connector

✗ – Not included with connector

| Sr. No. | Military Designation | Manufacturers Designation | Type | No. of Pins | Crimp Contact | I R Tool | Marking On The Connector |
|---------|----------------------|---------------------------|--------------|-------------|---------------|----------|--------------------------|
| 100 | M24308/6-502 | M2000/6-502 | Standard | 9 | ✓ | ✗ | M24308/6-502 |
| 101 | M24308/6-503 | M2000/6-503 | Standard | 15 | ✓ | ✗ | M24308/6-503 |
| 102 | M24308/6-504 | M2000/6-504 | Standard | 25 | ✓ | ✗ | M24308/6-504 |
| 103 | M24308/6-505 | M2000/6-505 | Standard | 37 | ✓ | ✗ | M24308/6-505 |
| 104 | M24308/6-506 | M2000/6-506 | Standard | 50 | ✓ | ✗ | M24308/6-506 |
| 105 | M24308/6-507 | M2000/6-507 | Standard | 9 | ✓ | ✓ | M24308/6-502 |
| 106 | M24308/6-508 | M2000/6-508 | Standard | 15 | ✓ | ✓ | M24308/6-503 |
| 107 | M24308/6-509 | M2000/6-509 | Standard | 25 | ✓ | ✓ | M24308/6-504 |
| 108 | M24308/6-510 | M2000/6-510 | Standard | 37 | ✓ | ✓ | M24308/6-505 |
| 109 | M24308/6-511 | M2000/6-511 | Standard | 50 | ✓ | ✓ | M24308/6-506 |
| 110 | M24308/6-540 | M2000/6-540 | Standard | 9 | ✗ | ✗ | M24308/6-502 |
| 111 | M24308/6-541 | M2000/6-541 | Standard | 15 | ✗ | ✗ | M24308/6-503 |
| 112 | M24308/6-542 | M2000/6-542 | Standard | 25 | ✗ | ✗ | M24308/6-504 |
| 113 | M24308/6-543 | M2000/6-543 | Standard | 37 | ✗ | ✗ | M24308/6-505 |
| 114 | M24308/6-544 | M2000/6-544 | Standard | 50 | ✗ | ✗ | M24308/6-506 |
| 115 | M24308/6-512 | M2000/6-512 | High Density | 15 | ✓ | ✗ | M24308/6-512 |
| 116 | M24308/6-513 | M2000/6-513 | High Density | 26 | ✓ | ✗ | M24308/6-513 |
| 117 | M24308/6-514 | M2000/6-514 | High Density | 44 | ✓ | ✗ | M24308/6-514 |
| 118 | M24308/6-515 | M2000/6-515 | High Density | 62 | ✓ | ✗ | M24308/6-515 |
| 119 | M24308/6-516 | M2000/6-516 | High Density | 78 | ✓ | ✗ | M24308/6-516 |
| 120 | M24308/6-517 | M2000/6-517 | High Density | 104 | ✓ | ✗ | M24308/6-517 |
| 121 | M24308/6-518 | M2000/6-518 | High Density | 15 | ✓ | ✓ | M24308/6-512 |
| 122 | M24308/6-519 | M2000/6-519 | High Density | 26 | ✓ | ✓ | M24308/6-513 |
| 123 | M24308/6-520 | M2000/6-520 | High Density | 44 | ✓ | ✓ | M24308/6-514 |
| 124 | M24308/6-521 | M2000/6-521 | High Density | 62 | ✓ | ✓ | M24308/6-515 |
| 125 | M24308/6-522 | M2000/6-522 | High Density | 78 | ✓ | ✓ | M24308/6-516 |
| 126 | M24308/6-523 | M2000/6-523 | High Density | 104 | ✓ | ✓ | M24308/6-517 |
| 127 | M24308/6-545 | M2000/6-545 | High Density | 15 | ✗ | ✗ | M24308/6-512 |
| 128 | M24308/6-546 | M2000/6-546 | High Density | 26 | ✗ | ✗ | M24308/6-513 |
| 129 | M24308/6-547 | M2000/6-547 | High Density | 44 | ✗ | ✗ | M24308/6-514 |
| 130 | M24308/6-548 | M2000/6-548 | High Density | 62 | ✗ | ✗ | M24308/6-515 |
| 131 | M24308/6-549 | M2000/6-549 | High Density | 78 | ✗ | ✗ | M24308/6-516 |
| 132 | M24308/6-550 | M2000/6-550 | High Density | 104 | ✗ | ✗ | M24308/6-517 |

✓ – Included with connector

✗ – Not included with connector

| Sr. No. | Military Designation | Manufacturers Designation | Type | No. of Pins | Crimp Contact | I R Tool | Marking On The Connector |
|---------|----------------------|---------------------------|--------------|-------------|---------------|----------|--------------------------|
| 1 | M24308/2-23F | M2000/2-23F | Standard | 9 | ✓ | ✗ | M24308/2-23F |
| 2 | M24308/2-24F | M2000/2-24F | Standard | 15 | ✓ | ✗ | M24308/2-24F |
| 3 | M24308/2-25F | M2000/2-25F | Standard | 25 | ✓ | ✗ | M24308/2-25F |
| 4 | M24308/2-26F | M2000/2-26F | Standard | 37 | ✓ | ✗ | M24308/2-26F |
| 5 | M24308/2-27F | M2000/2-27F | Standard | 50 | ✓ | ✗ | M24308/2-27F |
| 6 | M24308/2-34F | M2000/2-34F | Standard | 9 | ✓ | ✓ | M24308/2-23F |
| 7 | M24308/2-35F | M2000/2-35F | Standard | 15 | ✓ | ✓ | M24308/2-24F |
| 8 | M24308/2-36F | M2000/2-36F | Standard | 25 | ✓ | ✓ | M24308/2-25F |
| 9 | M24308/2-37F | M2000/2-37F | Standard | 37 | ✓ | ✓ | M24308/2-26F |
| 10 | M24308/2-38F | M2000/2-38F | Standard | 50 | ✓ | ✓ | M24308/2-27F |
| 11 | M24308/2-292F | M2000/2-292F | Standard | 9 | ✗ | ✗ | M24308/2-23F |
| 12 | M24308/2-293F | M2000/2-293F | Standard | 15 | ✗ | ✗ | M24308/2-24F |
| 13 | M24308/2-294F | M2000/2-294F | Standard | 25 | ✗ | ✗ | M24308/2-25F |
| 14 | M24308/2-295F | M2000/2-295F | Standard | 37 | ✗ | ✗ | M24308/2-26F |
| 15 | M24308/2-296F | M2000/2-296F | Standard | 50 | ✗ | ✗ | M24308/2-27F |
| 16 | M24308/2-28F | M2000/2-28F | High Density | 15 | ✓ | ✗ | M24308/2-28F |
| 17 | M24308/2-29F | M2000/2-29F | High Density | 26 | ✓ | ✗ | M24308/2-29F |
| 18 | M24308/2-30F | M2000/2-30F | High Density | 44 | ✓ | ✗ | M24308/2-30F |
| 19 | M24308/2-31F | M2000/2-31F | High Density | 62 | ✓ | ✗ | M24308/2-31F |
| 20 | M24308/2-32F | M2000/2-32F | High Density | 78 | ✓ | ✗ | M24308/2-32F |
| 21 | M24308/2-33F | M2000/2-33F | High Density | 104 | ✓ | ✗ | M24308/2-33F |
| 22 | M24308/2-39F | M2000/2-39F | High Density | 15 | ✓ | ✓ | M24308/2-28F |
| 23 | M24308/2-40F | M2000/2-40F | High Density | 26 | ✓ | ✓ | M24308/2-29F |
| 24 | M24308/2-41F | M2000/2-41F | High Density | 44 | ✓ | ✓ | M24308/2-30F |
| 25 | M24308/2-42F | M2000/2-42F | High Density | 62 | ✓ | ✓ | M24308/2-31F |
| 26 | M24308/2-43F | M2000/2-43F | High Density | 78 | ✓ | ✓ | M24308/2-32F |
| 27 | M24308/2-44F | M2000/2-44F | High Density | 104 | ✓ | ✓ | M24308/2-33F |
| 28 | M24308/2-297F | M2000/2-297F | High Density | 15 | ✗ | ✗ | M24308/2-28F |
| 29 | M24308/2-298F | M2000/2-298F | High Density | 26 | ✗ | ✗ | M24308/2-29F |
| 30 | M24308/2-299F | M2000/2-299F | High Density | 44 | ✗ | ✗ | M24308/2-30F |
| 31 | M24308/2-300F | M2000/2-300F | High Density | 62 | ✗ | ✗ | M24308/2-31F |
| 32 | M24308/2-301F | M2000/2-301F | High Density | 78 | ✗ | ✗ | M24308/2-32F |

✓ – Included with connector

✗ – Not included with connector

| Sr. No. | Military Designation | Manufacturers Designation | Type | No. of Pins | Crimp Contact | I R Tool | Marking On The Connector |
|---------|----------------------|---------------------------|--------------|-------------|---------------|----------|--------------------------|
| 33 | M24308/2-302F | M2000/2-302F | High Density | 104 | ✘ | ✘ | M24308/2-333F |
| 34 | M24308/2-335F | M2000/2-335F | Standard | 25 | ✓ | ✘ | M24308/2-335F |
| 35 | M24308/2-336F | M2000/2-336F | Standard | 37 | ✓ | ✘ | M24308/2-336F |
| 36 | M24308/2-341F | M2000/2-341F | Standard | 15 | ✓ | ✘ | M24308/2-341F |
| 37 | M24308/2-342F | M2000/2-342F | Standard | 9 | ✓ | ✘ | M24308/2-342F |
| 38 | M24308/2-343F | M2000/2-343F | Standard | 15 | ✓ | ✘ | M24308/2-343F |
| 39 | M24308/2-344F | M2000/2-344F | Standard | 25 | ✓ | ✘ | M24308/2-344F |
| 40 | M24308/2-345F | M2000/2-345F | Standard | 37 | ✓ | ✘ | M24308/2-345F |
| 41 | M24308/2-346F | M2000/2-346F | Standard | 50 | ✓ | ✘ | M24308/2-346F |
| 42 | M24308/2-353F | M2000/2-353F | Standard | 9 | ✓ | ✓ | M24308/2-342F |
| 43 | M24308/2-354F | M2000/2-354F | Standard | 15 | ✓ | ✓ | M24308/2-343F |
| 44 | M24308/2-355F | M2000/2-355F | Standard | 25 | ✓ | ✓ | M24308/2-344F |
| 45 | M24308/2-356F | M2000/2-356F | Standard | 37 | ✓ | ✓ | M24308/2-345F |
| 46 | M24308/2-357F | M2000/2-357F | Standard | 50 | ✓ | ✓ | M24308/2-346F |
| 47 | M24308/2-482F | M2000/2-482F | Standard | 9 | ✘ | ✘ | M24308/2-342F |
| 48 | M24308/2-483F | M2000/2-483F | Standard | 15 | ✘ | ✘ | M24308/2-343F |
| 49 | M24308/2-484F | M2000/2-484F | Standard | 25 | ✘ | ✘ | M24308/2-344F |
| 50 | M24308/2-485F | M2000/2-485F | Standard | 37 | ✘ | ✘ | M24308/2-345F |
| 51 | M24308/2-486F | M2000/2-486F | Standard | 50 | ✘ | ✘ | M24308/2-346F |
| 52 | M24308/2-347F | M2000/2-347F | High Density | 15 | ✓ | ✘ | M24308/2-347F |
| 53 | M24308/2-348F | M2000/2-348F | High Density | 26 | ✓ | ✘ | M24308/2-348F |
| 54 | M24308/2-349F | M2000/2-349F | High Density | 44 | ✓ | ✘ | M24308/2-349F |
| 55 | M24308/2-350F | M2000/2-350F | High Density | 62 | ✓ | ✘ | M24308/2-350F |
| 56 | M24308/2-351F | M2000/2-351F | High Density | 78 | ✓ | ✘ | M24308/2-351F |
| 57 | M24308/2-352F | M2000/2-352F | High Density | 104 | ✓ | ✘ | M24308/2-352F |
| 58 | M24308/2-358F | M2000/2-358F | High Density | 15 | ✓ | ✓ | M24308/2-347F |
| 59 | M24308/2-359F | M2000/2-359F | High Density | 26 | ✓ | ✓ | M24308/2-348F |
| 60 | M24308/2-360F | M2000/2-360F | High Density | 44 | ✓ | ✓ | M24308/2-349F |
| 61 | M24308/2-361F | M2000/2-361F | High Density | 62 | ✓ | ✓ | M24308/2-350F |
| 62 | M24308/2-362F | M2000/2-362F | High Density | 78 | ✓ | ✓ | M24308/2-351F |
| 63 | M24308/2-363F | M2000/2-363F | High Density | 104 | ✓ | ✓ | M24308/2-352F |
| 64 | M24308/2-487F | M2000/2-487F | High Density | 15 | ✘ | ✘ | M24308/2-347F |

✓ – Included with connector

✘ – Not included with connector

| Sr. No. | Military Designation | Manufacturers Designation | Type | No. of Pins | Crimp Contact | I R Tool | Marking On The Connector |
|---------|----------------------|---------------------------|--------------|-------------|---------------|----------|--------------------------|
| 65 | M24308/2-488F | M2000/2-488F | High Density | 26 | ✘ | ✘ | M24308/2-348F |
| 66 | M24308/2-489F | M2000/2-489F | High Density | 44 | ✘ | ✘ | M24308/2-349F |
| 67 | M24308/2-490F | M2000/2-490F | High Density | 62 | ✘ | ✘ | M24308/2-350F |
| 68 | M24308/2-491F | M2000/2-491F | High Density | 78 | ✘ | ✘ | M24308/2-351F |
| 69 | M24308/2-492F | M2000/2-492F | High Density | 104 | ✘ | ✘ | M24308/2-352F |
| 70 | M24308/2-509F | M2000/2-509F | Standard | 25 | ✓ | ✘ | M24308/2-509F |
| 71 | M24308/2-510F | M2000/2-510F | Standard | 37 | ✓ | ✘ | M24308/2-510F |
| 72 | M24308/2-515F | M2000/2-515F | Standard | 15 | ✓ | ✘ | M24308/2-515F |
| 73 | M24308/2-23Z | M2000/2-23Z | Standard | 9 | ✓ | ✘ | M24308/2-23Z |
| 74 | M24308/2-24Z | M2000/2-24Z | Standard | 15 | ✓ | ✘ | M24308/2-24Z |
| 75 | M24308/2-25Z | M2000/2-25Z | Standard | 25 | ✓ | ✘ | M24308/2-25Z |
| 76 | M24308/2-26Z | M2000/2-26Z | Standard | 37 | ✓ | ✘ | M24308/2-26Z |
| 77 | M24308/2-27Z | M2000/2-27Z | Standard | 50 | ✓ | ✘ | M24308/2-27Z |
| 78 | M24308/2-34Z | M2000/2-34Z | Standard | 9 | ✓ | ✓ | M24308/2-23Z |
| 79 | M24308/2-35Z | M2000/2-35Z | Standard | 15 | ✓ | ✓ | M24308/2-24Z |
| 80 | M24308/2-36Z | M2000/2-36Z | Standard | 25 | ✓ | ✓ | M24308/2-25Z |
| 81 | M24308/2-37Z | M2000/2-37Z | Standard | 37 | ✓ | ✓ | M24308/2-26Z |
| 82 | M24308/2-38Z | M2000/2-38Z | Standard | 50 | ✓ | ✓ | M24308/2-27Z |
| 83 | M24308/2-292Z | M2000/2-292Z | Standard | 9 | ✘ | ✘ | M24308/2-23Z |
| 84 | M24308/2-293Z | M2000/2-293Z | Standard | 15 | ✘ | ✘ | M24308/2-24Z |
| 85 | M24308/2-294Z | M2000/2-294Z | Standard | 25 | ✘ | ✘ | M24308/2-25Z |
| 86 | M24308/2-295Z | M2000/2-295Z | Standard | 37 | ✘ | ✘ | M24308/2-26Z |
| 87 | M24308/2-296Z | M2000/2-296Z | Standard | 50 | ✘ | ✘ | M24308/2-27Z |
| 88 | M24308/2-28Z | M2000/2-28Z | High Density | 15 | ✓ | ✘ | M24308/2-28Z |
| 89 | M24308/2-29Z | M2000/2-29Z | High Density | 26 | ✓ | ✘ | M24308/2-29Z |
| 90 | M24308/2-30Z | M2000/2-30Z | High Density | 44 | ✓ | ✘ | M24308/2-30Z |
| 91 | M24308/2-31Z | M2000/2-31Z | High Density | 62 | ✓ | ✘ | M24308/2-31Z |
| 92 | M24308/2-32Z | M2000/2-32Z | High Density | 78 | ✓ | ✘ | M24308/2-32Z |
| 93 | M24308/2-33Z | M2000/2-33Z | High Density | 104 | ✓ | ✘ | M24308/2-33Z |
| 94 | M24308/2-39Z | M2000/2-39Z | High Density | 15 | ✓ | ✓ | M24308/2-28Z |
| 95 | M24308/2-40Z | M2000/2-40Z | High Density | 26 | ✓ | ✓ | M24308/2-29Z |
| 96 | M24308/2-41Z | M2000/2-41Z | High Density | 44 | ✓ | ✓ | M24308/2-30Z |

✓ – Included with connector

✘ – Not included with connector



| Sr. No. | Military Designation | Manufacturers Designation | Type | No. of Pins | Crimp Contact | I R Tool | Marking On The Connector |
|---------|----------------------|---------------------------|--------------|-------------|---------------|----------|--------------------------|
| 97 | M24308/2-42Z | M2000/2-42Z | High Density | 62 | ✓ | ✓ | M24308/2-31Z |
| 98 | M24308/2-43Z | M2000/2-43Z | High Density | 78 | ✓ | ✓ | M24308/2-32Z |
| 99 | M24308/2-44Z | M2000/2-44Z | High Density | 104 | ✓ | ✓ | M24308/2-33Z |
| 100 | M24308/2-297Z | M2000/2-297Z | High Density | 15 | ✗ | ✗ | M24308/2-28Z |
| 101 | M24308/2-298Z | M2000/2-298Z | High Density | 26 | ✗ | ✗ | M24308/2-29Z |
| 102 | M24308/2-299Z | M2000/2-299Z | High Density | 44 | ✗ | ✗ | M24308/2-30Z |
| 103 | M24308/2-300Z | M2000/2-300Z | High Density | 62 | ✗ | ✗ | M24308/2-31Z |
| 104 | M24308/2-301Z | M2000/2-301Z | High Density | 78 | ✗ | ✗ | M24308/2-32Z |
| 105 | M24308/2-302Z | M2000/2-302Z | High Density | 104 | ✗ | ✗ | M24308/2-33Z |
| 106 | M24308/2-335Z | M2000/2-335Z | Standard | 25 | ✓ | ✗ | M24308/2-335Z |
| 107 | M24308/2-336Z | M2000/2-336Z | Standard | 37 | ✓ | ✗ | M24308/2-336Z |
| 108 | M24308/2-341Z | M2000/2-341Z | Standard | 15 | ✓ | ✗ | M24308/2-341Z |
| 109 | M24308/2-342Z | M2000/2-342Z | Standard | 9 | ✓ | ✗ | M24308/2-342Z |
| 110 | M24308/2-343Z | M2000/2-343Z | Standard | 15 | ✓ | ✗ | M24308/2-343Z |
| 111 | M24308/2-344Z | M2000/2-344Z | Standard | 25 | ✓ | ✗ | M24308/2-344Z |
| 112 | M24308/2-345Z | M2000/2-345Z | Standard | 37 | ✓ | ✗ | M24308/2-345Z |
| 113 | M24308/2-346Z | M2000/2-346Z | Standard | 50 | ✓ | ✗ | M24308/2-346Z |
| 114 | M24308/2-353Z | M2000/2-353Z | Standard | 9 | ✓ | ✓ | M24308/2-342Z |
| 115 | M24308/2-354Z | M2000/2-354Z | Standard | 15 | ✓ | ✓ | M24308/2-343Z |
| 116 | M24308/2-355Z | M2000/2-355Z | Standard | 25 | ✓ | ✓ | M24308/2-344Z |
| 117 | M24308/2-356Z | M2000/2-356Z | Standard | 37 | ✓ | ✓ | M24308/2-345Z |
| 118 | M24308/2-357Z | M2000/2-357Z | Standard | 50 | ✓ | ✓ | M24308/2-346Z |
| 119 | M24308/2-482Z | M2000/2-482Z | Standard | 9 | ✗ | ✗ | M24308/2-342Z |
| 120 | M24308/2-483Z | M2000/2-483Z | Standard | 15 | ✗ | ✗ | M24308/2-343Z |
| 121 | M24308/2-484Z | M2000/2-484Z | Standard | 25 | ✗ | ✗ | M24308/2-344Z |
| 122 | M24308/2-485Z | M2000/2-485Z | Standard | 37 | ✗ | ✗ | M24308/2-345Z |
| 123 | M24308/2-486Z | M2000/2-486Z | Standard | 50 | ✗ | ✗ | M24308/2-346Z |
| 124 | M24308/2-347Z | M2000/2-347Z | High Density | 15 | ✓ | ✗ | M24308/2-347Z |
| 125 | M24308/2-348Z | M2000/2-348Z | High Density | 26 | ✓ | ✗ | M24308/2-348Z |
| 126 | M24308/2-349Z | M2000/2-349Z | High Density | 44 | ✓ | ✗ | M24308/2-349Z |
| 127 | M24308/2-350Z | M2000/2-350Z | High Density | 62 | ✓ | ✗ | M24308/2-350Z |
| 128 | M24308/2-351Z | M2000/2-351Z | High Density | 78 | ✓ | ✗ | M24308/2-351Z |

✓ – Included with connector
✗ – Not included with connector



| Sr. No. | Military Designation | Manufacturers Designation | Type | No. of Pins | Crimp Contact | I R Tool | Marking On The Connector |
|---------|----------------------|---------------------------|--------------|-------------|---------------|----------|--------------------------|
| 129 | M24308/2-352Z | M2000/2-352Z | High Density | 104 | ✓ | ✗ | M24308/2-352Z |
| 130 | M24308/2-358Z | M2000/2-358Z | High Density | 15 | ✓ | ✓ | M24308/2-347Z |
| 131 | M24308/2-359Z | M2000/2-359Z | High Density | 26 | ✓ | ✓ | M24308/2-348Z |
| 132 | M24308/2-360Z | M2000/2-360Z | High Density | 44 | ✓ | ✓ | M24308/2-349Z |
| 133 | M24308/2-361Z | M2000/2-361Z | High Density | 62 | ✓ | ✓ | M24308/2-350Z |
| 134 | M24308/2-362Z | M2000/2-362Z | High Density | 78 | ✓ | ✓ | M24308/2-351Z |
| 135 | M24308/2-363Z | M2000/2-363Z | High Density | 104 | ✓ | ✓ | M24308/2-352Z |
| 136 | M24308/2-487Z | M2000/2-487Z | High Density | 15 | ✗ | ✗ | M24308/2-347Z |
| 137 | M24308/2-488Z | M2000/2-488Z | High Density | 26 | ✗ | ✗ | M24308/2-348Z |
| 138 | M24308/2-489Z | M2000/2-489Z | High Density | 44 | ✗ | ✗ | M24308/2-349Z |
| 139 | M24308/2-490Z | M2000/2-490Z | High Density | 62 | ✗ | ✗ | M24308/2-350Z |
| 140 | M24308/2-491Z | M2000/2-491Z | High Density | 78 | ✗ | ✗ | M24308/2-351Z |
| 141 | M24308/2-492Z | M2000/2-492Z | High Density | 104 | ✗ | ✗ | M24308/2-352Z |
| 142 | M24308/2-509Z | M2000/2-509Z | Standard | 25 | ✓ | ✗ | M24308/2-509Z |
| 143 | M24308/2-510Z | M2000/2-510Z | Standard | 37 | ✓ | ✗ | M24308/2-510Z |
| 144 | M24308/2-515Z | M2000/2-515Z | Standard | 15 | ✓ | ✗ | M24308/2-515Z |
| 145 | M24308/2-23K | M2000/2-23K | Standard | 9 | ✓ | ✗ | M24308/2-23K |
| 146 | M24308/2-24K | M2000/2-24K | Standard | 15 | ✓ | ✗ | M24308/2-24K |
| 147 | M24308/2-25K | M2000/2-25K | Standard | 25 | ✓ | ✗ | M24308/2-25K |
| 148 | M24308/2-26K | M2000/2-26K | Standard | 37 | ✓ | ✗ | M24308/2-26K |
| 149 | M24308/2-27K | M2000/2-27K | Standard | 50 | ✓ | ✗ | M24308/2-27K |
| 150 | M24308/2-34K | M2000/2-34K | Standard | 9 | ✓ | ✓ | M24308/2-23K |
| 151 | M24308/2-35K | M2000/2-35K | Standard | 15 | ✓ | ✓ | M24308/2-24K |
| 152 | M24308/2-36K | M2000/2-36K | Standard | 25 | ✓ | ✓ | M24308/2-25K |
| 153 | M24308/2-37K | M2000/2-37K | Standard | 37 | ✓ | ✓ | M24308/2-26K |
| 154 | M24308/2-38K | M2000/2-38K | Standard | 50 | ✓ | ✓ | M24308/2-27K |
| 155 | M24308/2-292K | M2000/2-292K | Standard | 9 | ✗ | ✗ | M24308/2-23K |
| 156 | M24308/2-293K | M2000/2-293K | Standard | 15 | ✗ | ✗ | M24308/2-24K |
| 157 | M24308/2-294K | M2000/2-294K | Standard | 25 | ✗ | ✗ | M24308/2-25K |
| 158 | M24308/2-295K | M2000/2-295K | Standard | 37 | ✗ | ✗ | M24308/2-26K |
| 159 | M24308/2-296K | M2000/2-296K | Standard | 50 | ✗ | ✗ | M24308/2-27K |
| 160 | M24308/2-28K | M2000/2-28K | High Density | 15 | ✓ | ✗ | M24308/2-28K |

✓ – Included with connector
✗ – Not included with connector



| Sr. No. | Military Designation | Manufacturers Designation | Type | No. of Pins | Crimp Contact | I R Tool | Marking On The Connector |
|---------|----------------------|---------------------------|--------------|-------------|---------------|----------|--------------------------|
| 161 | M24308/2-29K | M2000/2-29K | High Density | 26 | ✓ | ✗ | M24308/2-29K |
| 162 | M24308/2-30K | M2000/2-30K | High Density | 44 | ✓ | ✗ | M24308/2-30K |
| 163 | M24308/2-31K | M2000/2-31K | High Density | 62 | ✓ | ✗ | M24308/2-31K |
| 164 | M24308/2-32K | M2000/2-32K | High Density | 78 | ✓ | ✗ | M24308/2-32K |
| 165 | M24308/2-33K | M2000/2-33K | High Density | 104 | ✓ | ✗ | M24308/2-33K |
| 166 | M24308/2-39K | M2000/2-39K | High Density | 15 | ✓ | ✓ | M24308/2-28K |
| 167 | M24308/2-40K | M2000/2-40K | High Density | 26 | ✓ | ✓ | M24308/2-29K |
| 168 | M24308/2-41K | M2000/2-41K | High Density | 44 | ✓ | ✓ | M24308/2-30K |
| 169 | M24308/2-42K | M2000/2-42K | High Density | 62 | ✓ | ✓ | M24308/2-31K |
| 170 | M24308/2-43K | M2000/2-43K | High Density | 78 | ✓ | ✓ | M24308/2-32K |
| 171 | M24308/2-44K | M2000/2-44K | High Density | 104 | ✓ | ✓ | M24308/2-33K |
| 172 | M24308/2-297K | M2000/2-297K | High Density | 15 | ✗ | ✗ | M24308/2-28K |
| 173 | M24308/2-298K | M2000/2-298K | High Density | 26 | ✗ | ✗ | M24308/2-29K |
| 174 | M24308/2-299K | M2000/2-299K | High Density | 44 | ✗ | ✗ | M24308/2-30K |
| 175 | M24308/2-300K | M2000/2-300K | High Density | 62 | ✗ | ✗ | M24308/2-31K |
| 176 | M24308/2-301K | M2000/2-301K | High Density | 78 | ✗ | ✗ | M24308/2-32K |
| 177 | M24308/2-302K | M2000/2-302K | High Density | 104 | ✗ | ✗ | M24308/2-33K |
| 178 | M24308/2-335K | M2000/2-335K | Standard | 25 | ✓ | ✗ | M24308/2-335K |
| 179 | M24308/2-336K | M2000/2-336K | Standard | 37 | ✓ | ✗ | M24308/2-336K |
| 180 | M24308/2-341K | M2000/2-341K | Standard | 15 | ✓ | ✗ | M24308/2-341K |
| 181 | M24308/2-342K | M2000/2-342K | Standard | 9 | ✓ | ✗ | M24308/2-342K |
| 182 | M24308/2-343K | M2000/2-343K | Standard | 15 | ✓ | ✗ | M24308/2-343K |
| 183 | M24308/2-344K | M2000/2-344K | Standard | 25 | ✓ | ✗ | M24308/2-344K |
| 184 | M24308/2-345K | M2000/2-345K | Standard | 37 | ✓ | ✗ | M24308/2-345K |
| 185 | M24308/2-346K | M2000/2-346K | Standard | 50 | ✓ | ✗ | M24308/2-346K |
| 186 | M24308/2-353K | M2000/2-353K | Standard | 9 | ✓ | ✓ | M24308/2-342K |
| 187 | M24308/2-354K | M2000/2-354K | Standard | 15 | ✓ | ✓ | M24308/2-343K |
| 188 | M24308/2-355K | M2000/2-355K | Standard | 25 | ✓ | ✓ | M24308/2-344K |
| 189 | M24308/2-356K | M2000/2-356K | Standard | 37 | ✓ | ✓ | M24308/2-345K |
| 190 | M24308/2-357K | M2000/2-357K | Standard | 50 | ✓ | ✓ | M24308/2-346K |
| 191 | M24308/2-482K | M2000/2-482K | Standard | 9 | ✗ | ✗ | M24308/2-342K |
| 192 | M24308/2-483K | M2000/2-483K | Standard | 15 | ✗ | ✗ | M24308/2-343K |

✓ – Included with connector
✗ – Not included with connector

| Sr. No. | Military Designation | Manufacturers Designation | Type | No. of Pins | Crimp Contact | I R Tool | Marking On The Connector |
|---------|----------------------|---------------------------|--------------|-------------|---------------|----------|--------------------------|
| 193 | M24308/2-484K | M2000/2-484K | Standard | 25 | ✘ | ✘ | M24308/2-344K |
| 194 | M24308/2-485K | M2000/2-485K | Standard | 37 | ✘ | ✘ | M24308/2-345K |
| 195 | M24308/2-486K | M2000/2-486K | Standard | 50 | ✘ | ✘ | M24308/2-346K |
| 196 | M24308/2-347K | M2000/2-347K | High Density | 15 | ✓ | ✘ | M24308/2-347K |
| 197 | M24308/2-348K | M2000/2-348K | High Density | 26 | ✓ | ✘ | M24308/2-348K |
| 198 | M24308/2-349K | M2000/2-349K | High Density | 44 | ✓ | ✘ | M24308/2-349K |
| 199 | M24308/2-350K | M2000/2-350K | High Density | 62 | ✓ | ✘ | M24308/2-350K |
| 200 | M24308/2-351K | M2000/2-351K | High Density | 78 | ✓ | ✘ | M24308/2-351K |
| 201 | M24308/2-352K | M2000/2-352K | High Density | 104 | ✓ | ✘ | M24308/2-352K |
| 202 | M24308/2-358K | M2000/2-358K | High Density | 15 | ✓ | ✓ | M24308/2-347K |
| 203 | M24308/2-359K | M2000/2-359K | High Density | 26 | ✓ | ✓ | M24308/2-348K |
| 204 | M24308/2-360K | M2000/2-360K | High Density | 44 | ✓ | ✓ | M24308/2-349K |
| 205 | M24308/2-361K | M2000/2-361K | High Density | 62 | ✓ | ✓ | M24308/2-350K |
| 206 | M24308/2-362K | M2000/2-362K | High Density | 78 | ✓ | ✓ | M24308/2-351K |
| 207 | M24308/2-363K | M2000/2-363K | High Density | 104 | ✓ | ✓ | M24308/2-352K |
| 208 | M24308/2-487K | M2000/2-487K | High Density | 15 | ✘ | ✘ | M24308/2-347K |
| 209 | M24308/2-488K | M2000/2-488K | High Density | 26 | ✘ | ✘ | M24308/2-348K |
| 210 | M24308/2-489K | M2000/2-489K | High Density | 44 | ✘ | ✘ | M24308/2-349K |
| 211 | M24308/2-490K | M2000/2-490K | High Density | 62 | ✘ | ✘ | M24308/2-350K |
| 212 | M24308/2-491K | M2000/2-491K | High Density | 78 | ✘ | ✘ | M24308/2-351K |
| 213 | M24308/2-492K | M2000/2-492K | High Density | 104 | ✘ | ✘ | M24308/2-352K |
| 214 | M24308/2-509K | M2000/2-509K | Standard | 25 | ✓ | ✘ | M24308/2-509K |
| 215 | M24308/2-510K | M2000/2-510K | Standard | 37 | ✓ | ✘ | M24308/2-510K |
| 216 | M24308/2-515K | M2000/2-515K | Standard | 15 | ✓ | ✘ | M24308/2-515K |
| 217 | M24308/2-538 | M2000/2-538 | Standard | 9 | ✓ | ✘ | M24308/2-538 |
| 218 | M24308/2-539 | M2000/2-539 | Standard | 15 | ✓ | ✘ | M24308/2-539 |
| 219 | M24308/2-540 | M2000/2-540 | Standard | 25 | ✓ | ✘ | M24308/2-540 |
| 220 | M24308/2-541 | M2000/2-541 | Standard | 37 | ✓ | ✘ | M24308/2-541 |
| 221 | M24308/2-542 | M2000/2-542 | Standard | 50 | ✓ | ✘ | M24308/2-542 |
| 222 | M24308/2-549 | M2000/2-549 | Standard | 9 | ✓ | ✓ | M24308/2-538 |
| 223 | M24308/2-550 | M2000/2-550 | Standard | 15 | ✓ | ✓ | M24308/2-539 |
| 224 | M24308/2-551 | M2000/2-551 | Standard | 25 | ✓ | ✓ | M24308/2-540 |

✓ – Included with connector

✘ – Not included with connector

| Sr. No. | Military Designation | Manufacturers Designation | Type | No. of Pins | Crimp Contact | I R Tool | Marking On The Connector |
|---------|----------------------|---------------------------|--------------|-------------|---------------|----------|--------------------------|
| 225 | M24308/2-552 | M2000/2-552 | Standard | 37 | ✓ | ✓ | M24308/2-541 |
| 226 | M24308/2-553 | M2000/2-553 | Standard | 50 | ✓ | ✓ | M24308/2-542 |
| 227 | M24308/2-571 | M2000/2-571 | Standard | 9 | ✗ | ✗ | M24308/2-538 |
| 228 | M24308/2-572 | M2000/2-572 | Standard | 15 | ✗ | ✗ | M24308/2-539 |
| 229 | M24308/2-573 | M2000/2-573 | Standard | 25 | ✗ | ✗ | M24308/2-540 |
| 230 | M24308/2-574 | M2000/2-574 | Standard | 37 | ✗ | ✗ | M24308/2-541 |
| 231 | M24308/2-575 | M2000/2-575 | Standard | 50 | ✗ | ✗ | M24308/2-542 |
| 232 | M24308/2-543 | M2000/2-543 | High Density | 15 | ✓ | ✗ | M24308/2-543 |
| 233 | M24308/2-544 | M2000/2-544 | High Density | 26 | ✓ | ✗ | M24308/2-544 |
| 234 | M24308/2-545 | M2000/2-545 | High Density | 44 | ✓ | ✗ | M24308/2-545 |
| 235 | M24308/2-546 | M2000/2-546 | High Density | 62 | ✓ | ✗ | M24308/2-546 |
| 236 | M24308/2-547 | M2000/2-547 | High Density | 78 | ✓ | ✗ | M24308/2-547 |
| 237 | M24308/2-548 | M2000/2-548 | High Density | 104 | ✓ | ✗ | M24308/2-548 |
| 238 | M24308/2-554 | M2000/2-554 | High Density | 15 | ✓ | ✓ | M24308/2-543 |
| 239 | M24308/2-555 | M2000/2-555 | High Density | 26 | ✓ | ✓ | M24308/2-544 |
| 240 | M24308/2-556 | M2000/2-556 | High Density | 44 | ✓ | ✓ | M24308/2-545 |
| 241 | M24308/2-557 | M2000/2-557 | High Density | 62 | ✓ | ✓ | M24308/2-546 |
| 242 | M24308/2-558 | M2000/2-558 | High Density | 78 | ✓ | ✓ | M24308/2-547 |
| 243 | M24308/2-559 | M2000/2-559 | High Density | 104 | ✓ | ✓ | M24308/2-548 |
| 244 | M24308/2-576 | M2000/2-576 | High Density | 15 | ✗ | ✗ | M24308/2-543 |
| 245 | M24308/2-577 | M2000/2-577 | High Density | 26 | ✗ | ✗ | M24308/2-544 |
| 246 | M24308/2-578 | M2000/2-578 | High Density | 44 | ✗ | ✗ | M24308/2-545 |
| 247 | M24308/2-579 | M2000/2-579 | High Density | 62 | ✗ | ✗ | M24308/2-546 |
| 248 | M24308/2-580 | M2000/2-580 | High Density | 78 | ✗ | ✗ | M24308/2-547 |
| 249 | M24308/2-581 | M2000/2-581 | High Density | 104 | ✗ | ✗ | M24308/2-548 |
| 250 | M24308/2-582 | M2000/2-582 | Standard | 25 | ✓ | ✗ | M24308/2-582 |
| 251 | M24308/2-583 | M2000/2-583 | Standard | 37 | ✓ | ✗ | M24308/2-583 |
| 252 | M24308/2-584 | M2000/2-584 | Standard | 15 | ✓ | ✗ | M24308/2-584 |
| 253 | M24308/2-585 | M2000/2-585 | Standard | 9 | ✓ | ✗ | M24308/2-585 |
| 254 | M24308/2-586 | M2000/2-586 | Standard | 15 | ✓ | ✗ | M24308/2-586 |
| 255 | M24308/2-587 | M2000/2-587 | Standard | 25 | ✓ | ✗ | M24308/2-587 |
| 256 | M24308/2-588 | M2000/2-588 | Standard | 37 | ✓ | ✗ | M24308/2-588 |

✓ – Included with connector

✗ – Not included with connector

| Sr. No. | Military Designation | Manufacturers Designation | Type | No. of Pins | Crimp Contact | I R Tool | Marking On The Connector |
|---------|----------------------|---------------------------|--------------|-------------|---------------|----------|--------------------------|
| 257 | M24308/2-589 | M2000/2-589 | Standard | 50 | ✓ | ✗ | M24308/2-589 |
| 258 | M24308/2-596 | M2000/2-596 | Standard | 9 | ✓ | ✓ | M24308/2-585 |
| 259 | M24308/2-597 | M2000/2-597 | Standard | 15 | ✓ | ✓ | M24308/2-586 |
| 260 | M24308/2-598 | M2000/2-598 | Standard | 25 | ✓ | ✓ | M24308/2-587 |
| 261 | M24308/2-599 | M2000/2-599 | Standard | 37 | ✓ | ✓ | M24308/2-588 |
| 262 | M24308/2-600 | M2000/2-600 | Standard | 50 | ✓ | ✓ | M24308/2-589 |
| 263 | M24308/2-607 | M2000/2-607 | Standard | 9 | ✗ | ✗ | M24308/2-585 |
| 264 | M24308/2-608 | M2000/2-608 | Standard | 15 | ✗ | ✗ | M24308/2-586 |
| 265 | M24308/2-609 | M2000/2-609 | Standard | 25 | ✗ | ✗ | M24308/2-587 |
| 266 | M24308/2-610 | M2000/2-610 | Standard | 37 | ✗ | ✗ | M24308/2-588 |
| 267 | M24308/2-611 | M2000/2-611 | Standard | 50 | ✗ | ✗ | M24308/2-589 |
| 268 | M24308/2-590 | M2000/2-590 | High Density | 15 | ✓ | ✗ | M24308/2-590 |
| 269 | M24308/2-591 | M2000/2-591 | High Density | 26 | ✓ | ✗ | M24308/2-591 |
| 270 | M24308/2-592 | M2000/2-592 | High Density | 44 | ✓ | ✗ | M24308/2-592 |
| 271 | M24308/2-593 | M2000/2-593 | High Density | 62 | ✓ | ✗ | M24308/2-593 |
| 272 | M24308/2-594 | M2000/2-594 | High Density | 78 | ✓ | ✗ | M24308/2-594 |
| 273 | M24308/2-595 | M2000/2-595 | High Density | 104 | ✓ | ✗ | M24308/2-595 |
| 274 | M24308/2-601 | M2000/2-601 | High Density | 15 | ✓ | ✓ | M24308/2-590 |
| 275 | M24308/2-602 | M2000/2-602 | High Density | 26 | ✓ | ✓ | M24308/2-591 |
| 276 | M24308/2-603 | M2000/2-603 | High Density | 44 | ✓ | ✓ | M24308/2-592 |
| 277 | M24308/2-604 | M2000/2-604 | High Density | 62 | ✓ | ✓ | M24308/2-593 |
| 278 | M24308/2-605 | M2000/2-605 | High Density | 78 | ✓ | ✓ | M24308/2-594 |
| 279 | M24308/2-606 | M2000/2-606 | High Density | 104 | ✓ | ✓ | M24308/2-595 |
| 280 | M24308/2-612 | M2000/2-612 | High Density | 15 | ✗ | ✗ | M24308/2-590 |
| 281 | M24308/2-613 | M2000/2-613 | High Density | 26 | ✗ | ✗ | M24308/2-591 |
| 282 | M24308/2-614 | M2000/2-614 | High Density | 44 | ✗ | ✗ | M24308/2-592 |
| 283 | M24308/2-615 | M2000/2-615 | High Density | 62 | ✗ | ✗ | M24308/2-593 |
| 284 | M24308/2-616 | M2000/2-616 | High Density | 78 | ✗ | ✗ | M24308/2-594 |
| 285 | M24308/2-617 | M2000/2-617 | High Density | 104 | ✗ | ✗ | M24308/2-595 |
| 286 | M24308/2-621 | M2000/2-621 | Standard | 25 | ✓ | ✗ | M24308/2-621 |
| 287 | M24308/2-622 | M2000/2-622 | Standard | 37 | ✓ | ✗ | M24308/2-622 |
| 288 | M24308/2-627 | M2000/2-627 | Standard | 15 | ✓ | ✗ | M24308/2-627 |

✓ – Included with connector

✗ – Not included with connector

| Sr. No. | Military Designation | Manufacturers Designation | Type | No. of Pins | Crimp Contact | I R Tool | Marking On The Connector |
|---------|----------------------|---------------------------|--------------|-------------|---------------|----------|--------------------------|
| 1 | M24308/6-259F | M2000/6-259F | Standard | 9 | ✓ | ✗ | M24308/6-259F |
| 2 | M24308/6-260F | M2000/6-260F | Standard | 15 | ✓ | ✗ | M24308/6-260F |
| 3 | M24308/6-261F | M2000/6-261F | Standard | 25 | ✓ | ✗ | M24308/6-261F |
| 4 | M24308/6-262F | M2000/6-262F | Standard | 37 | ✓ | ✗ | M24308/6-262F |
| 5 | M24308/6-263F | M2000/6-263F | Standard | 50 | ✓ | ✗ | M24308/6-263F |
| 6 | M24308/6-270F | M2000/6-270F | Standard | 9 | ✓ | ✗ | M24308/6-259F |
| 7 | M24308/6-271F | M2000/6-271F | Standard | 15 | ✓ | ✗ | M24308/6-260F |
| 8 | M24308/6-272F | M2000/6-272F | Standard | 25 | ✓ | ✗ | M24308/6-261F |
| 9 | M24308/6-273F | M2000/6-273F | Standard | 37 | ✓ | ✗ | M24308/6-262F |
| 10 | M24308/6-274F | M2000/6-274F | Standard | 50 | ✓ | ✗ | M24308/6-263F |
| 11 | M24308/6-264F | M2000/6-264F | High Density | 15 | ✓ | ✗ | M24308/6-264F |
| 12 | M24308/6-265F | M2000/6-265F | High Density | 26 | ✓ | ✗ | M24308/6-265F |
| 13 | M24308/6-266F | M2000/6-266F | High Density | 44 | ✓ | ✗ | M24308/6-266F |
| 14 | M24308/6-267F | M2000/6-267F | High Density | 62 | ✓ | ✗ | M24308/6-267F |
| 15 | M24308/6-268F | M2000/6-268F | High Density | 78 | ✓ | ✗ | M24308/6-268F |
| 16 | M24308/6-269F | M2000/6-269F | High Density | 104 | ✓ | ✗ | M24308/6-269F |
| 17 | M24308/6-275F | M2000/6-275F | High Density | 15 | ✓ | ✓ | M24308/6-264F |
| 18 | M24308/6-276F | M2000/6-276F | High Density | 26 | ✓ | ✓ | M24308/6-265F |
| 19 | M24308/6-277F | M2000/6-277F | High Density | 44 | ✓ | ✓ | M24308/6-266F |
| 20 | M24308/6-278F | M2000/6-278F | High Density | 62 | ✓ | ✓ | M24308/6-267F |
| 21 | M24308/6-279F | M2000/6-279F | High Density | 78 | ✓ | ✓ | M24308/6-268F |
| 22 | M24308/6-280F | M2000/6-280F | High Density | 104 | ✓ | ✓ | M24308/6-269F |
| 23 | M24308/6-453F | M2000/6-453F | Standard | 9 | ✓ | ✗ | M24308/6-453F |
| 24 | M24308/6-454F | M2000/6-454F | Standard | 15 | ✓ | ✗ | M24308/6-454F |
| 25 | M24308/6-455F | M2000/6-455F | Standard | 25 | ✓ | ✗ | M24308/6-455F |
| 26 | M24308/6-456F | M2000/6-456F | Standard | 37 | ✓ | ✗ | M24308/6-456F |
| 27 | M24308/6-457F | M2000/6-457F | Standard | 50 | ✓ | ✗ | M24308/6-457F |
| 28 | M24308/6-464F | M2000/6-464F | Standard | 9 | ✓ | ✓ | M24308/6-453F |
| 29 | M24308/6-465F | M2000/6-465F | Standard | 15 | ✓ | ✓ | M24308/6-454F |
| 30 | M24308/6-466F | M2000/6-466F | Standard | 25 | ✓ | ✓ | M24308/6-455F |
| 31 | M24308/6-467F | M2000/6-467F | Standard | 37 | ✓ | ✓ | M24308/6-456F |
| 32 | M24308/6-468F | M2000/6-468F | Standard | 50 | ✓ | ✓ | M24308/6-457F |
| 33 | M24308/6-491F | M2000/6-491F | Standard | 9 | ✗ | ✗ | M24308/6-453F |

✓ – Included with connector

✗ – Not included with connector

| Sr. No. | Military Designation | Manufacturers Designation | Type | No. of Pins | Crimp Contact | I R Tool | Marking On The Connector |
|---------|----------------------|---------------------------|--------------|-------------|---------------|----------|--------------------------|
| 34 | M24308/6-492F | M2000/6-492F | Standard | 15 | ✘ | ✘ | M24308/6-454F |
| 35 | M24308/6-493F | M2000/6-493F | Standard | 25 | ✘ | ✘ | M24308/6-455F |
| 36 | M24308/6-494F | M2000/6-494F | Standard | 37 | ✘ | ✘ | M24308/6-456F |
| 37 | M24308/6-495F | M2000/6-495F | Standard | 50 | ✘ | ✘ | M24308/6-457F |
| 38 | M24308/6-458F | M2000/6-458F | High Density | 15 | ✓ | ✘ | M24308/6-458F |
| 39 | M24308/6-459F | M2000/6-459F | High Density | 26 | ✓ | ✘ | M24308/6-459F |
| 40 | M24308/6-460F | M2000/6-460F | High Density | 44 | ✓ | ✘ | M24308/6-460F |
| 41 | M24308/6-461F | M2000/6-461F | High Density | 62 | ✓ | ✘ | M24308/6-461F |
| 42 | M24308/6-462F | M2000/6-462F | High Density | 78 | ✓ | ✘ | M24308/6-462F |
| 43 | M24308/6-463F | M2000/6-463F | High Density | 104 | ✓ | ✘ | M24308/6-463F |
| 44 | M24308/6-469F | M2000/6-469F | High Density | 15 | ✓ | ✓ | M24308/6-458F |
| 45 | M24308/6-470F | M2000/6-470F | High Density | 26 | ✓ | ✓ | M24308/6-459F |
| 46 | M24308/6-471F | M2000/6-471F | High Density | 44 | ✓ | ✓ | M24308/6-460F |
| 47 | M24308/6-472F | M2000/6-472F | High Density | 62 | ✓ | ✓ | M24308/6-461F |
| 48 | M24308/6-473F | M2000/6-473F | High Density | 78 | ✓ | ✓ | M24308/6-462F |
| 49 | M24308/6-474F | M2000/6-474F | High Density | 104 | ✓ | ✓ | M24308/6-463F |
| 50 | M24308/6-496F | M2000/6-496F | High Density | 15 | ✘ | ✘ | M24308/6-458F |
| 51 | M24308/6-497F | M2000/6-497F | High Density | 26 | ✘ | ✘ | M24308/6-459F |
| 52 | M24308/6-498F | M2000/6-498F | High Density | 44 | ✘ | ✘ | M24308/6-460F |
| 53 | M24308/6-499F | M2000/6-499F | High Density | 62 | ✘ | ✘ | M24308/6-461F |
| 54 | M24308/6-500F | M2000/6-500F | High Density | 78 | ✘ | ✘ | M24308/6-462F |
| 55 | M24308/6-501F | M2000/6-501F | High Density | 104 | ✘ | ✘ | M24308/6-463F |
| 56 | M24308/6-259Z | M2000/6-259Z | Standard | 9 | ✓ | ✘ | M24308/6-259Z |
| 57 | M24308/6-260Z | M2000/6-260Z | Standard | 15 | ✓ | ✘ | M24308/6-260Z |
| 58 | M24308/6-261Z | M2000/6-261Z | Standard | 25 | ✓ | ✘ | M24308/6-261Z |
| 59 | M24308/6-262Z | M2000/6-262Z | Standard | 37 | ✓ | ✘ | M24308/6-262Z |
| 60 | M24308/6-263Z | M2000/6-263Z | Standard | 50 | ✓ | ✘ | M24308/6-263Z |
| 61 | M24308/6-270Z | M2000/6-270Z | Standard | 9 | ✓ | ✘ | M24308/6-259Z |
| 62 | M24308/6-271Z | M2000/6-271Z | Standard | 15 | ✓ | ✘ | M24308/6-260Z |
| 63 | M24308/6-272Z | M2000/6-272Z | Standard | 25 | ✓ | ✘ | M24308/6-261Z |
| 64 | M24308/6-273Z | M2000/6-273Z | Standard | 37 | ✓ | ✘ | M24308/6-262Z |
| 65 | M24308/6-274Z | M2000/6-274Z | Standard | 50 | ✓ | ✘ | M24308/6-263Z |
| 66 | M24308/6-264Z | M2000/6-264Z | High Density | 15 | ✓ | ✘ | M24308/6-264Z |

✓ – Included with connector

✘ – Not included with connector



| Sr. No. | Military Designation | Manufacturers Designation | Type | No. of Pins | Crimp Contact | I R Tool | Marking On The Connector |
|---------|----------------------|---------------------------|--------------|-------------|---------------|----------|--------------------------|
| 67 | M24308/6-265Z | M2000/6-265Z | High Density | 26 | ✓ | ✗ | M24308/6-265Z |
| 68 | M24308/6-266Z | M2000/6-266Z | High Density | 44 | ✓ | ✗ | M24308/6-266Z |
| 69 | M24308/6-267Z | M2000/6-267Z | High Density | 62 | ✓ | ✗ | M24308/6-267Z |
| 70 | M24308/6-268Z | M2000/6-268Z | High Density | 78 | ✓ | ✗ | M24308/6-268Z |
| 71 | M24308/6-269Z | M2000/6-269Z | High Density | 104 | ✓ | ✗ | M24308/6-269Z |
| 72 | M24308/6-275Z | M2000/6-275Z | High Density | 15 | ✓ | ✓ | M24308/6-264Z |
| 73 | M24308/6-276Z | M2000/6-276Z | High Density | 26 | ✓ | ✓ | M24308/6-265Z |
| 74 | M24308/6-277Z | M2000/6-277Z | High Density | 44 | ✓ | ✓ | M24308/6-266Z |
| 75 | M24308/6-278Z | M2000/6-278Z | High Density | 62 | ✓ | ✓ | M24308/6-267Z |
| 76 | M24308/6-279Z | M2000/6-279Z | High Density | 78 | ✓ | ✓ | M24308/6-268Z |
| 77 | M24308/6-280Z | M2000/6-280Z | High Density | 104 | ✓ | ✓ | M24308/6-269Z |
| 78 | M24308/6-453Z | M2000/6-453Z | Standard | 9 | ✓ | ✗ | M24308/6-453Z |
| 79 | M24308/6-454Z | M2000/6-454Z | Standard | 15 | ✓ | ✗ | M24308/6-454Z |
| 80 | M24308/6-455Z | M2000/6-455Z | Standard | 25 | ✓ | ✗ | M24308/6-455Z |
| 81 | M24308/6-456Z | M2000/6-456Z | Standard | 37 | ✓ | ✗ | M24308/6-456Z |
| 82 | M24308/6-457Z | M2000/6-457Z | Standard | 50 | ✓ | ✗ | M24308/6-457Z |
| 83 | M24308/6-464Z | M2000/6-464Z | Standard | 9 | ✓ | ✓ | M24308/6-453Z |
| 84 | M24308/6-465Z | M2000/6-465Z | Standard | 15 | ✓ | ✓ | M24308/6-454Z |
| 85 | M24308/6-466Z | M2000/6-466Z | Standard | 25 | ✓ | ✓ | M24308/6-455Z |
| 86 | M24308/6-467Z | M2000/6-467Z | Standard | 37 | ✓ | ✓ | M24308/6-456Z |
| 87 | M24308/6-468Z | M2000/6-468Z | Standard | 50 | ✓ | ✓ | M24308/6-457Z |
| 88 | M24308/6-491Z | M2000/6-491Z | Standard | 9 | ✗ | ✗ | M24308/6-453Z |
| 89 | M24308/6-492Z | M2000/6-492Z | Standard | 15 | ✗ | ✗ | M24308/6-454Z |
| 90 | M24308/6-493Z | M2000/6-493Z | Standard | 25 | ✗ | ✗ | M24308/6-455Z |
| 91 | M24308/6-494Z | M2000/6-494Z | Standard | 37 | ✗ | ✗ | M24308/6-456Z |
| 92 | M24308/6-495Z | M2000/6-495Z | Standard | 50 | ✗ | ✗ | M24308/6-457Z |
| 93 | M24308/6-458Z | M2000/6-458Z | High Density | 15 | ✓ | ✗ | M24308/6-458Z |
| 94 | M24308/6-459Z | M2000/6-459Z | High Density | 26 | ✓ | ✗ | M24308/6-459Z |
| 95 | M24308/6-460Z | M2000/6-460Z | High Density | 44 | ✓ | ✗ | M24308/6-460Z |
| 96 | M24308/6-461Z | M2000/6-461Z | High Density | 62 | ✓ | ✗ | M24308/6-461Z |
| 97 | M24308/6-462Z | M2000/6-462Z | High Density | 78 | ✓ | ✗ | M24308/6-462Z |
| 98 | M24308/6-463Z | M2000/6-463Z | High Density | 104 | ✓ | ✗ | M24308/6-463Z |
| 99 | M24308/6-469Z | M2000/6-469Z | High Density | 15 | ✓ | ✓ | M24308/6-458Z |

✓ – Included with connector
✗ – Not included with connector



| Sr. No. | Military Designation | Manufacturers Designation | Type | No. of Pins | Crimp Contact | I R Tool | Marking On The Connector |
|---------|----------------------|---------------------------|--------------|-------------|---------------|----------|--------------------------|
| 100 | M24308/6-470Z | M2000/6-470Z | High Density | 26 | ✓ | ✓ | M24308/6-459Z |
| 101 | M24308/6-471Z | M2000/6-471Z | High Density | 44 | ✓ | ✓ | M24308/6-460Z |
| 102 | M24308/6-472Z | M2000/6-472Z | High Density | 62 | ✓ | ✓ | M24308/6-461Z |
| 103 | M24308/6-473Z | M2000/6-473Z | High Density | 78 | ✓ | ✓ | M24308/6-462Z |
| 104 | M24308/6-474Z | M2000/6-474Z | High Density | 104 | ✓ | ✓ | M24308/6-463Z |
| 105 | M24308/6-496Z | M2000/6-496Z | High Density | 15 | ✗ | ✗ | M24308/6-458Z |
| 106 | M24308/6-497Z | M2000/6-497Z | High Density | 26 | ✗ | ✗ | M24308/6-459Z |
| 107 | M24308/6-498Z | M2000/6-498Z | High Density | 44 | ✗ | ✗ | M24308/6-460Z |
| 108 | M24308/6-499Z | M2000/6-499Z | High Density | 62 | ✗ | ✗ | M24308/6-461Z |
| 109 | M24308/6-500Z | M2000/6-500Z | High Density | 78 | ✗ | ✗ | M24308/6-462Z |
| 110 | M24308/6-501Z | M2000/6-501Z | High Density | 104 | ✗ | ✗ | M24308/6-463Z |
| 111 | M24308/6-518 | M2000/2-518 | Standard | 9 | ✓ | ✗ | M24308/6-518 |
| 112 | M24308/6-519 | M2000/6-519 | Standard | 15 | ✓ | ✗ | M24308/6-519 |
| 113 | M24308/6-520 | M2000/6-520 | Standard | 25 | ✓ | ✗ | M24308/6-520 |
| 114 | M24308/6-521 | M2000/6-521 | Standard | 37 | ✓ | ✗ | M24308/6-521 |
| 115 | M24308/6-522 | M2000/6-522 | Standard | 50 | ✓ | ✗ | M24308/6-522 |
| 116 | M24308/6-529 | M2000/6-529 | Standard | 9 | ✓ | ✗ | M24308/6-518 |
| 117 | M24308/6-530 | M2000/6-530 | Standard | 15 | ✓ | ✗ | M24308/6-519 |
| 118 | M24308/6-531 | M2000/6-531 | Standard | 25 | ✓ | ✗ | M24308/6-520 |
| 119 | M24308/6-532 | M2000/6-532 | Standard | 37 | ✓ | ✗ | M24308/6-521 |
| 120 | M24308/6-533 | M2000/6-533 | Standard | 50 | ✓ | ✗ | M24308/6-522 |
| 121 | M24308/6-523 | M2000/6-523 | High Density | 15 | ✓ | ✗ | M24308/6-523 |
| 122 | M24308/6-524 | M2000/6-524 | High Density | 26 | ✓ | ✗ | M24308/6-524 |
| 123 | M24308/6-525 | M2000/6-525 | High Density | 44 | ✓ | ✗ | M24308/6-525 |
| 124 | M24308/6-526 | M2000/6-526 | High Density | 62 | ✓ | ✗ | M24308/6-526 |
| 125 | M24308/6-527 | M2000/6-527 | High Density | 78 | ✓ | ✗ | M24308/6-527 |
| 126 | M24308/6-528 | M2000/6-528 | High Density | 104 | ✓ | ✗ | M24308/6-528 |
| 127 | M24308/6-534 | M2000/6-534 | High Density | 15 | ✓ | ✓ | M24308/6-523 |
| 128 | M24308/6-535 | M2000/6-535 | High Density | 26 | ✓ | ✓ | M24308/6-524 |
| 129 | M24308/6-536 | M2000/6-536 | High Density | 44 | ✓ | ✓ | M24308/6-525 |
| 130 | M24308/6-537 | M2000/6-537 | High Density | 62 | ✓ | ✓ | M24308/6-526 |
| 131 | M24308/6-538 | M2000/6-538 | High Density | 78 | ✓ | ✓ | M24308/6-527 |
| 132 | M24308/6-539 | M2000/6-539 | High Density | 104 | ✓ | ✓ | M24308/6-528 |

✓ – Included with connector
✗ – Not included with connector

| Sr. No. | Military Designation | Manufacturers Designation | Type | No. of Pins | Crimp Contact | I R Tool | Marking On The Connector |
|---------|----------------------|---------------------------|--------------|-------------|---------------|----------|--------------------------|
| 133 | M24308/6-551 | M2000/6-551 | Standard | 9 | ✓ | ✗ | M24308/6-551 |
| 134 | M24308/6-552 | M2000/6-552 | Standard | 15 | ✓ | ✗ | M24308/6-552 |
| 135 | M24308/6-553 | M2000/6-553 | Standard | 25 | ✓ | ✗ | M24308/6-553 |
| 136 | M24308/6-554 | M2000/6-554 | Standard | 37 | ✓ | ✗ | M24308/6-554 |
| 137 | M24308/6-555 | M2000/6-555 | Standard | 50 | ✓ | ✗ | M24308/6-555 |
| 138 | M24308/6-562 | M2000/6-562 | Standard | 9 | ✓ | ✓ | M24308/6-551 |
| 139 | M24308/6-563 | M2000/6-563 | Standard | 15 | ✓ | ✓ | M24308/6-552 |
| 140 | M24308/6-564 | M2000/6-564 | Standard | 25 | ✓ | ✓ | M24308/6-553 |
| 141 | M24308/6-565 | M2000/6-565 | Standard | 37 | ✓ | ✓ | M24308/6-554 |
| 142 | M24308/6-566 | M2000/6-566 | Standard | 50 | ✓ | ✓ | M24308/6-555 |
| 143 | M24308/6-573 | M2000/6-573 | Standard | 9 | ✗ | ✗ | M24308/6-551 |
| 144 | M24308/6-574 | M2000/6-574 | Standard | 15 | ✗ | ✗ | M24308/6-552 |
| 145 | M24308/6-575 | M2000/6-575 | Standard | 25 | ✗ | ✗ | M24308/6-553 |
| 146 | M24308/6-576 | M2000/6-576 | Standard | 37 | ✗ | ✗ | M24308/6-554 |
| 147 | M24308/6-577 | M2000/6-577 | Standard | 50 | ✗ | ✗ | M24308/6-555 |
| 148 | M24308/6-556 | M2000/6-556 | High Density | 15 | ✓ | ✗ | M24308/6-556 |
| 149 | M24308/6-557 | M2000/6-557 | High Density | 26 | ✓ | ✗ | M24308/6-557 |
| 150 | M24308/6-558 | M2000/6-558 | High Density | 44 | ✓ | ✗ | M24308/6-558 |
| 151 | M24308/6-559 | M2000/6-559 | High Density | 62 | ✓ | ✗ | M24308/6-559 |
| 152 | M24308/6-560 | M2000/6-560 | High Density | 78 | ✓ | ✗ | M24308/6-560 |
| 153 | M24308/6-561 | M2000/6-561 | High Density | 104 | ✓ | ✗ | M24308/6-561 |
| 154 | M24308/6-567 | M2000/6-567 | High Density | 15 | ✓ | ✓ | M24308/6-556 |
| 155 | M24308/6-568 | M2000/6-568 | High Density | 26 | ✓ | ✓ | M24308/6-557 |
| 156 | M24308/6-569 | M2000/6-569 | High Density | 44 | ✓ | ✓ | M24308/6-558 |
| 157 | M24308/6-570 | M2000/6-570 | High Density | 62 | ✓ | ✓ | M24308/6-559 |
| 158 | M24308/6-571 | M2000/6-571 | High Density | 78 | ✓ | ✓ | M24308/6-560 |
| 159 | M24308/6-572 | M2000/6-572 | High Density | 104 | ✓ | ✓ | M24308/6-561 |
| 160 | M24308/6-578 | M2000/6-578 | High Density | 15 | ✗ | ✗ | M24308/6-556 |
| 161 | M24308/6-579 | M2000/6-579 | High Density | 26 | ✗ | ✗ | M24308/6-557 |
| 162 | M24308/6-580 | M2000/6-580 | High Density | 44 | ✗ | ✗ | M24308/6-558 |
| 163 | M24308/6-581 | M2000/6-581 | High Density | 62 | ✗ | ✗ | M24308/6-559 |
| 164 | M24308/6-582 | M2000/6-582 | High Density | 78 | ✗ | ✗ | M24308/6-560 |
| 165 | M24308/6-583 | M2000/6-583 | High Density | 104 | ✗ | ✗ | M24308/6-561 |

✓ – Included with connector

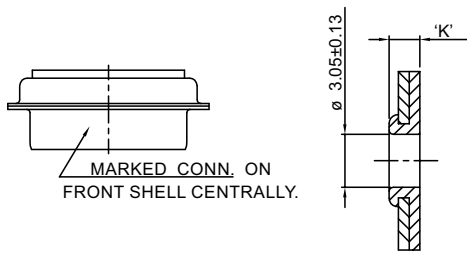
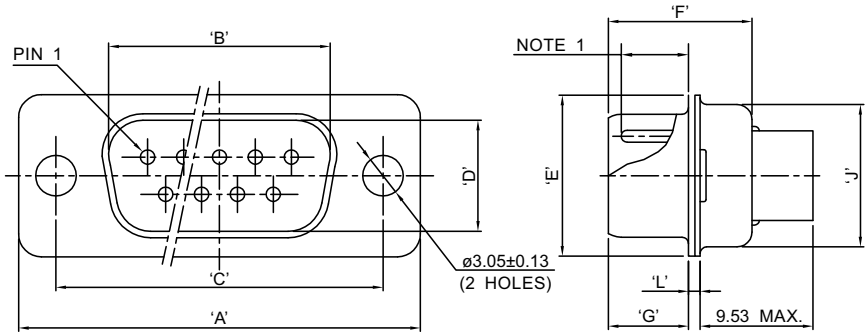
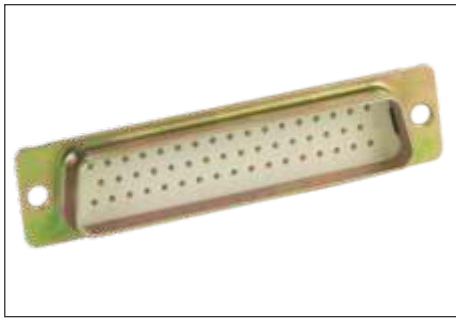
✗ – Not included with connector

| Sr. No. | Military Designation | Manufacturers Designation | Type | No. of Pins | Crimp Contact | I R Tool | Marking On The Connector |
|---------|----------------------|---------------------------|--------------|-------------|---------------|----------|--------------------------|
| 193 | M24308/6-562 | M2000/6-562 | Standard | 9 | ✓ | ✓ | M24308/6-551 |
| 194 | M24308/6-563 | M2000/6-563 | Standard | 15 | ✓ | ✓ | M24308/6-552 |
| 195 | M24308/6-564 | M2000/6-564 | Standard | 25 | ✓ | ✓ | M24308/6-553 |
| 196 | M24308/6-565 | M2000/6-565 | Standard | 37 | ✓ | ✓ | M24308/6-554 |
| 197 | M24308/6-566 | M2000/6-566 | Standard | 50 | ✓ | ✓ | M24308/6-555 |
| 198 | M24308/6-573 | M2000/6-573 | Standard | 9 | ✗ | ✗ | M24308/6-551 |
| 199 | M24308/6-574 | M2000/6-574 | Standard | 15 | ✗ | ✗ | M24308/6-552 |
| 200 | M24308/6-575 | M2000/6-575 | Standard | 25 | ✗ | ✗ | M24308/6-553 |
| 201 | M24308/6-576 | M2000/6-576 | Standard | 37 | ✗ | ✗ | M24308/6-554 |
| 202 | M24308/6-577 | M2000/6-577 | Standard | 50 | ✗ | ✗ | M24308/6-555 |
| 203 | M24308/6-556 | M2000/6-556 | High Density | 15 | ✓ | ✗ | M24308/6-556 |
| 204 | M24308/6-557 | M2000/6-557 | High Density | 26 | ✓ | ✗ | M24308/6-557 |
| 205 | M24308/6-558 | M2000/6-558 | High Density | 44 | ✓ | ✗ | M24308/6-558 |
| 206 | M24308/6-559 | M2000/6-559 | High Density | 62 | ✓ | ✗ | M24308/6-559 |
| 207 | M24308/6-560 | M2000/6-560 | High Density | 78 | ✓ | ✗ | M24308/6-560 |
| 208 | M24308/6-561 | M2000/6-561 | High Density | 104 | ✓ | ✗ | M24308/6-561 |
| 209 | M24308/6-567 | M2000/6-567 | High Density | 15 | ✓ | ✓ | M24308/6-556 |
| 210 | M24308/6-568 | M2000/6-568 | High Density | 26 | ✓ | ✓ | M24308/6-557 |
| 211 | M24308/6-569 | M2000/6-569 | High Density | 44 | ✓ | ✓ | M24308/6-558 |
| 212 | M24308/6-570 | M2000/6-570 | High Density | 62 | ✓ | ✓ | M24308/6-559 |
| 213 | M24308/6-571 | M2000/6-571 | High Density | 78 | ✓ | ✓ | M24308/6-560 |
| 214 | M24308/6-572 | M2000/6-572 | High Density | 104 | ✓ | ✓ | M24308/6-561 |
| 215 | M24308/6-578 | M2000/6-578 | High Density | 15 | ✗ | ✗ | M24308/6-556 |
| 216 | M24308/6-579 | M2000/6-579 | High Density | 26 | ✗ | ✗ | M24308/6-557 |
| 217 | M24308/6-580 | M2000/6-580 | High Density | 44 | ✗ | ✗ | M24308/6-558 |
| 218 | M24308/6-581 | M2000/6-581 | High Density | 62 | ✗ | ✗ | M24308/6-559 |
| 219 | M24308/6-582 | M2000/6-582 | High Density | 78 | ✗ | ✗ | M24308/6-560 |
| 220 | M24308/6-583 | M2000/6-583 | High Density | 104 | ✗ | ✗ | M24308/6-561 |

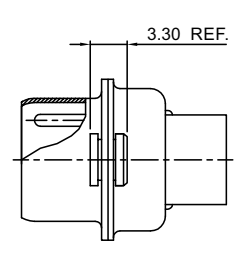
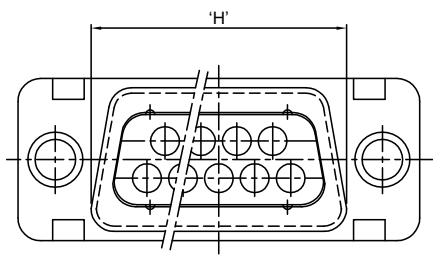
✓ – Included with connector

✗ – Not included with connector

D-SUB PLUG CONNECTOR ASSEMBLY WITH CRIMP PIN CONTACT (09 TO 50 PIN)



STD-THROUGH HOLE.



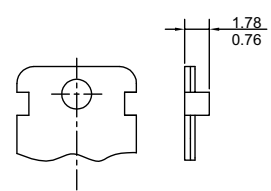
FLOAT MOUNTING TYPE

DIMENSION TABLE :-

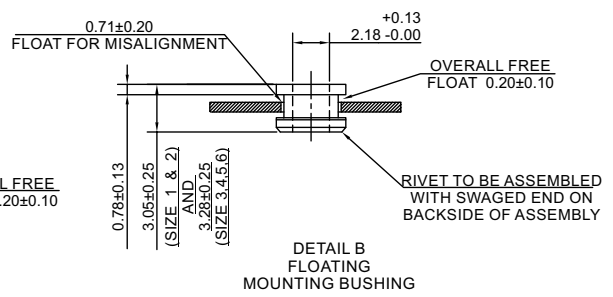
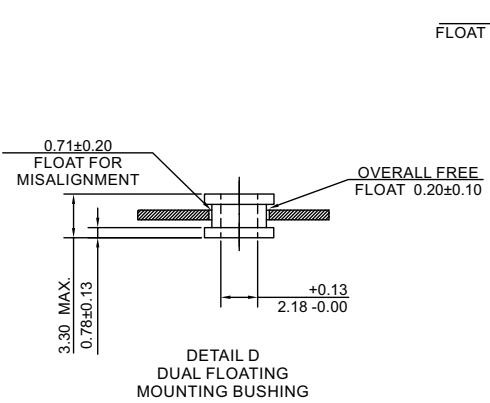
| SHELL SIZE | STANDARD DENSITY NO. OF PINS | 'A' | 'B' | 'C' | 'D' | 'E' | 'F' | 'G' | 'H' | 'J' | 'K' | 'L' |
|------------|---------------------------------|----------------|----------------|----------------|----------------|----------------|----------------|--------------|----------------|----------------|--------------|--------------|
| | | | | | | | | | | | | |
| 2 | 15 | 38.76 39.52 | 25.12 25.37 | 33.20 33.45 | 8.23 8.48 | 12.17 12.93 | 10.46 10.97 | 5.82 6.12 | 27.25 27.76 | 10.46 10.97 | 0.89 1.52 | 0.51 1.02 |
| 3 | 25 | 52.65 53.42 | 38.84 39.09 | 46.91 47.17 | 8.23 8.48 | 12.17 12.93 | 10.57 11.07 | 5.69 5.99 | 41.02 41.53 | 10.46 10.97 | 1.27 1.78 | 0.74 1.24 |
| 4 | 37 | 68.94 69.70 | 55.30 55.55 | 63.37 63.63 | 8.23 8.48 | 12.17 12.93 | 10.57 11.07 | 5.69 5.99 | 57.45 57.96 | 10.46 10.97 | 1.27 1.78 | 0.74 1.24 |
| 5 | 50 | 66.55 67.31 | 52.68 52.93 | 60.99 61.24 | 11.07 11.33 | 14.99 15.75 | 10.57 11.07 | 5.69 5.99 | 55.07 55.58 | 13.31 13.82 | 1.27 1.78 | 0.74 1.24 |

NOTE :-

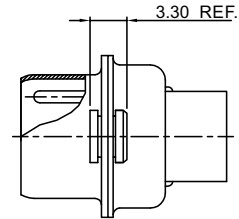
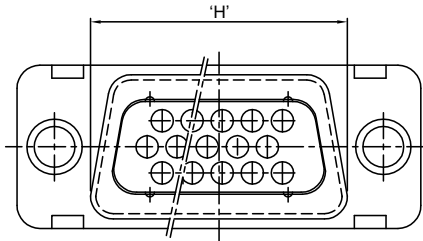
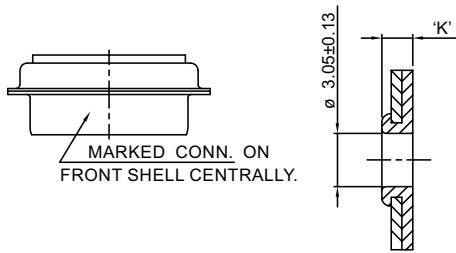
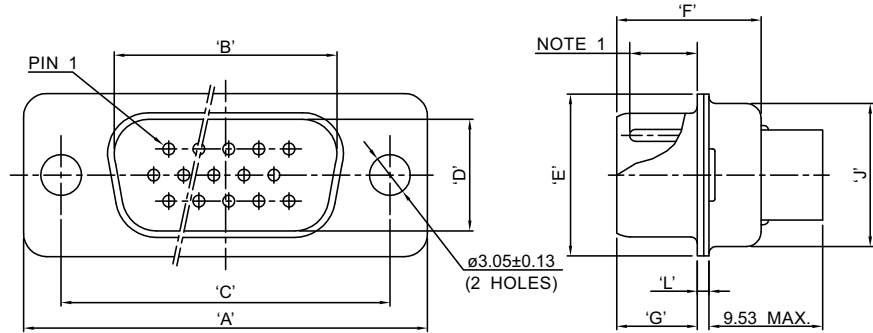
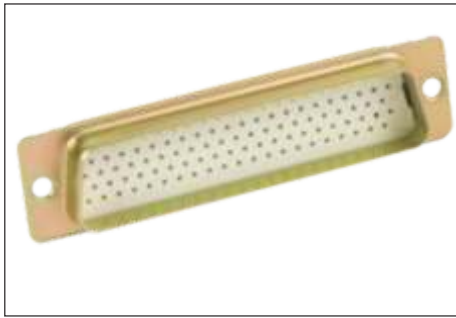
1. DIMENSION ARE 3.94MM MINIMUM (FOR SIZE 3,4,5) AND 4.17MM MINIMUM (FOR SIZE 1,2)
2. CONTACT SHOWS ONLY FOR REFERENCE,



ALTERNATE METHOD OF SECURING SHELL HALVES



HDD-SUB SOCKET CONNECTOR ASSEMBLY WITH CRIMP PIN CONTACT (15 TO 104 PIN)



FLOAT MOUNTING TYPE

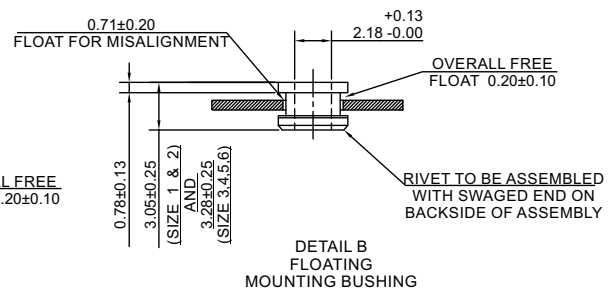
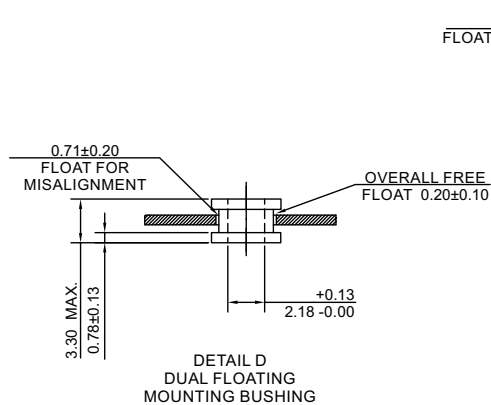
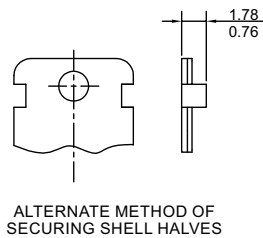
STD-THROUGH HOLE.

DIMENSION TABLE :-

| SHELL SIZE | STANDARD DENSITY | 'A' | 'B' | 'C' | 'D' | 'E' | 'F' | 'G' | 'H' | 'J' | 'K' | 'L' |
|------------|------------------|-------|-------|-------|-------|-------|-------|------|-------|-------|------|------|
| | NO. OF PINS | | | | | | | | | | | |
| 1 | 15 | 30.43 | 16.79 | 24.87 | 8.23 | 12.17 | 10.46 | 5.82 | 19.02 | 10.46 | 0.89 | 0.51 |
| | | 31.19 | 17.04 | 25.12 | 8.48 | 12.93 | 10.97 | 6.12 | 19.53 | 10.97 | 1.52 | 1.02 |
| 2 | 26 | 38.76 | 25.12 | 33.20 | 8.23 | 12.17 | 10.46 | 5.82 | 27.25 | 10.46 | 0.89 | 0.51 |
| | | 39.52 | 25.37 | 33.45 | 8.48 | 12.93 | 10.97 | 6.12 | 27.76 | 10.97 | 1.52 | 1.02 |
| 3 | 44 | 52.65 | 38.84 | 46.91 | 8.23 | 12.17 | 10.57 | 5.99 | 41.02 | 10.46 | 1.27 | 0.74 |
| | | 53.42 | 39.09 | 47.17 | 8.48 | 12.93 | 11.07 | 5.69 | 41.53 | 10.97 | 1.78 | 1.24 |
| 4 | 62 | 68.94 | 55.30 | 63.37 | 8.23 | 12.17 | 10.57 | 5.69 | 57.45 | 10.46 | 1.27 | 0.74 |
| | | 69.70 | 55.55 | 63.63 | 8.48 | 12.93 | 11.07 | 5.99 | 57.96 | 10.97 | 1.78 | 1.24 |
| 5 | 78 | 66.55 | 52.68 | 60.99 | 11.07 | 14.99 | 10.57 | 5.69 | 55.07 | 13.31 | 1.27 | 0.74 |
| | | 67.31 | 52.93 | 61.24 | 11.33 | 15.75 | 11.07 | 5.99 | 55.58 | 13.82 | 1.78 | 1.24 |
| 6 | 104 | 68.94 | 56.06 | 63.37 | 12.65 | 16.59 | 10.57 | 5.69 | 58.22 | 14.88 | 1.27 | 0.74 |
| | | 69.70 | 56.31 | 63.63 | 12.90 | 17.35 | 11.07 | 5.99 | 58.72 | 15.39 | 1.78 | 1.24 |

NOTE :-

1. DIMENSION ARE 3.94MM MINIMUM (FOR SIZE 3,4,5) AND 4.17MM MINIMUM (FOR SIZE 1,2)
2. CONTACT SHOWS ONLY FOR REFERENCE,





Approved Part List QPL Crimp Plug Connector (With Magnetic Shell)

| Sr. No. | Military Designation | Manufacturers Designation | Type | No. of Pins | Crimp Contact | I R Tool | Marking On The Connector |
|---------|----------------------|---------------------------|--------------|-------------|---------------|----------|--------------------------|
| 1 | M24308/4-1F | M2000/4-1F | Standard | 9 | ✓ | ✗ | M24308/4-1F |
| 2 | M24308/4-2F | M2000/4-2F | Standard | 15 | ✓ | ✗ | M24308/4-2F |
| 3 | M24308/4-3F | M2000/4-3F | Standard | 25 | ✓ | ✗ | M24308/4-3F |
| 4 | M24308/4-4F | M2000/4-4F | Standard | 37 | ✓ | ✗ | M24308/4-4F |
| 5 | M24308/4-5F | M2000/4-5F | Standard | 50 | ✓ | ✗ | M24308/4-5F |
| 6 | M24308/4-6F | M2000/4-6F | Standard | 9 | ✓ | ✓ | M24308/4-1F |
| 7 | M24308/4-7F | M2000/4-7F | Standard | 15 | ✓ | ✓ | M24308/4-2F |
| 8 | M24308/4-8F | M2000/4-8F | Standard | 25 | ✓ | ✓ | M24308/4-3F |
| 9 | M24308/4-9F | M2000/4-9F | Standard | 37 | ✓ | ✓ | M24308/4-4F |
| 10 | M24308/4-10F | M2000/4-10F | Standard | 50 | ✓ | ✓ | M24308/4-5F |
| 11 | M24308/4-259F | M2000/4-259F | Standard | 9 | ✗ | ✗ | M24308/4-1F |
| 12 | M24308/4-260F | M2000/4-260F | Standard | 15 | ✗ | ✗ | M24308/4-2F |
| 13 | M24308/4-261F | M2000/4-261F | Standard | 25 | ✗ | ✗ | M24308/4-3F |
| 14 | M24308/4-262F | M2000/4-262F | Standard | 37 | ✗ | ✗ | M24308/4-4F |
| 15 | M24308/4-263F | M2000/4-263F | Standard | 50 | ✗ | ✗ | M24308/4-5F |
| 16 | M24308/4-11F | M2000/4-11F | High Density | 15 | ✓ | ✗ | M24308/4-11F |
| 17 | M24308/4-12F | M2000/4-12F | High Density | 26 | ✓ | ✗ | M24308/4-12F |
| 18 | M24308/4-13F | M2000/4-13F | High Density | 44 | ✓ | ✗ | M24308/4-13F |
| 19 | M24308/4-14F | M2000/4-14F | High Density | 62 | ✓ | ✗ | M24308/4-14F |
| 20 | M24308/4-15F | M2000/4-15F | High Density | 78 | ✓ | ✗ | M24308/4-15F |
| 21 | M24308/4-16F | M2000/4-16F | High Density | 104 | ✓ | ✗ | M24308/4-16F |
| 22 | M24308/4-17F | M2000/4-17F | High Density | 15 | ✓ | ✓ | M24308/4-11F |
| 23 | M24308/4-18F | M2000/4-18F | High Density | 26 | ✓ | ✓ | M24308/4-12F |
| 24 | M24308/4-19F | M2000/4-19F | High Density | 44 | ✓ | ✓ | M24308/4-13F |
| 25 | M24308/4-20F | M2000/4-20F | High Density | 62 | ✓ | ✓ | M24308/4-14F |
| 26 | M24308/4-21F | M2000/4-21F | High Density | 78 | ✓ | ✓ | M24308/4-15F |
| 27 | M24308/4-22F | M2000/4-22F | High Density | 104 | ✓ | ✓ | M24308/4-16F |
| 28 | M24308/4-264F | M2000/4-264F | High Density | 15 | ✗ | ✗ | M24308/4-11F |
| 29 | M24308/4-265F | M2000/4-265F | High Density | 26 | ✗ | ✗ | M24308/4-12F |
| 30 | M24308/4-266F | M2000/4-266F | High Density | 44 | ✗ | ✗ | M24308/4-13F |
| 31 | M24308/4-267F | M2000/4-267F | High Density | 62 | ✗ | ✗ | M24308/4-14F |
| 32 | M24308/4-268F | M2000/4-268F | High Density | 78 | ✗ | ✗ | M24308/4-15F |
| 33 | M24308/4-269F | M2000/4-269F | High Density | 104 | ✗ | ✗ | M24308/4-16F |

✓ – Included with connector
✗ – Not included with connector



Approved Part List QPL Crimp Plug Connector (With Magnetic Shell)

| Sr. No. | Military Designation | Manufacturers Designation | Type | No. of Pins | Crimp Contact | I R Tool | Marking On The Connector |
|---------|----------------------|---------------------------|--------------|-------------|---------------|----------|--------------------------|
| 34 | M24308/4-1Z | M2000/4-1Z | Standard | 9 | ✓ | ✗ | M24308/4-1Z |
| 35 | M24308/4-2Z | M2000/4-2Z | Standard | 15 | ✓ | ✗ | M24308/4-2Z |
| 36 | M24308/4-3Z | M2000/4-3Z | Standard | 25 | ✓ | ✗ | M24308/4-3Z |
| 37 | M24308/4-4Z | M2000/4-4Z | Standard | 37 | ✓ | ✗ | M24308/4-4Z |
| 38 | M24308/4-5Z | M2000/4-5Z | Standard | 50 | ✓ | ✗ | M24308/4-5Z |
| 39 | M24308/4-6Z | M2000/4-6Z | Standard | 9 | ✓ | ✓ | M24308/4-1Z |
| 40 | M24308/4-7Z | M2000/4-7Z | Standard | 15 | ✓ | ✓ | M24308/4-2Z |
| 41 | M24308/4-8Z | M2000/4-8Z | Standard | 25 | ✓ | ✓ | M24308/4-3Z |
| 42 | M24308/4-9Z | M2000/4-9Z | Standard | 37 | ✓ | ✓ | M24308/4-4Z |
| 43 | M24308/4-10Z | M2000/4-10Z | Standard | 50 | ✓ | ✓ | M24308/4-5Z |
| 44 | M24308/4-259Z | M2000/4-259Z | Standard | 9 | ✗ | ✗ | M24308/4-1Z |
| 45 | M24308/4-260Z | M2000/4-260Z | Standard | 15 | ✗ | ✗ | M24308/4-2Z |
| 46 | M24308/4-261Z | M2000/4-261Z | Standard | 25 | ✗ | ✗ | M24308/4-3Z |
| 47 | M24308/4-262Z | M2000/4-262Z | Standard | 37 | ✗ | ✗ | M24308/4-4Z |
| 48 | M24308/4-263Z | M2000/4-263Z | Standard | 50 | ✗ | ✗ | M24308/4-5Z |
| 49 | M24308/4-11Z | M2000/4-11Z | High Density | 15 | ✓ | ✗ | M24308/4-11Z |
| 50 | M24308/4-12Z | M2000/4-12Z | High Density | 26 | ✓ | ✗ | M24308/4-12Z |
| 51 | M24308/4-13Z | M2000/4-13Z | High Density | 44 | ✓ | ✗ | M24308/4-13Z |
| 52 | M24308/4-14Z | M2000/4-14Z | High Density | 62 | ✓ | ✗ | M24308/4-14Z |
| 53 | M24308/4-15Z | M2000/4-15Z | High Density | 78 | ✓ | ✗ | M24308/4-15Z |
| 54 | M24308/4-16Z | M2000/4-16Z | High Density | 104 | ✓ | ✗ | M24308/4-16Z |
| 55 | M24308/4-17Z | M2000/4-17Z | High Density | 15 | ✓ | ✓ | M24308/4-11Z |
| 56 | M24308/4-18Z | M2000/4-18Z | High Density | 26 | ✓ | ✓ | M24308/4-12Z |
| 57 | M24308/4-19Z | M2000/4-19Z | High Density | 44 | ✓ | ✓ | M24308/4-13Z |
| 58 | M24308/4-20Z | M2000/4-20Z | High Density | 62 | ✓ | ✓ | M24308/4-14Z |
| 59 | M24308/4-21Z | M2000/4-21Z | High Density | 78 | ✓ | ✓ | M24308/4-15Z |
| 60 | M24308/4-22Z | M2000/4-22Z | High Density | 104 | ✓ | ✓ | M24308/4-16Z |
| 61 | M24308/4-264Z | M2000/4-264Z | High Density | 15 | ✗ | ✗ | M24308/4-11Z |
| 62 | M24308/4-265Z | M2000/4-265Z | High Density | 26 | ✗ | ✗ | M24308/4-12Z |
| 63 | M24308/4-266Z | M2000/4-266Z | High Density | 44 | ✗ | ✗ | M24308/4-13Z |
| 64 | M24308/4-267Z | M2000/4-267Z | High Density | 62 | ✗ | ✗ | M24308/4-14Z |
| 65 | M24308/4-268Z | M2000/4-268Z | High Density | 78 | ✗ | ✗ | M24308/4-15Z |
| 66 | M24308/4-269Z | M2000/4-269Z | High Density | 104 | ✗ | ✗ | M24308/4-16Z |

✓ – Included with connector
✗ – Not included with connector



Approved Part List QPL Crimp Plug Connector (With Magnetic Shell)

| Sr. No. | Military Designation | Manufacturers Designation | Type | No. of Pins | Crimp Contact | I R Tool | Marking On The Connector |
|---------|----------------------|---------------------------|--------------|-------------|---------------|----------|--------------------------|
| 67 | M24308/4-1K | M2000/4-1K | Standard | 9 | ✓ | ✗ | M24308/4-1K |
| 68 | M24308/4-2K | M2000/4-2K | Standard | 15 | ✓ | ✗ | M24308/4-2K |
| 69 | M24308/4-3K | M2000/4-3K | Standard | 25 | ✓ | ✗ | M24308/4-3K |
| 70 | M24308/4-4K | M2000/4-4K | Standard | 37 | ✓ | ✗ | M24308/4-4K |
| 71 | M24308/4-5K | M2000/4-5K | Standard | 50 | ✓ | ✗ | M24308/4-5K |
| 72 | M24308/4-6K | M2000/4-6K | Standard | 9 | ✓ | ✓ | M24308/4-1K |
| 73 | M24308/4-7K | M2000/4-7K | Standard | 15 | ✓ | ✓ | M24308/4-2K |
| 74 | M24308/4-8K | M2000/4-8K | Standard | 25 | ✓ | ✓ | M24308/4-3K |
| 75 | M24308/4-9K | M2000/4-9K | Standard | 37 | ✓ | ✓ | M24308/4-4K |
| 76 | M24308/4-10K | M2000/4-10K | Standard | 50 | ✓ | ✓ | M24308/4-5K |
| 77 | M24308/4-259K | M2000/4-259K | Standard | 9 | ✗ | ✗ | M24308/4-1K |
| 78 | M24308/4-260K | M2000/4-260K | Standard | 15 | ✗ | ✗ | M24308/4-2K |
| 79 | M24308/4-261K | M2000/4-261K | Standard | 25 | ✗ | ✗ | M24308/4-3K |
| 80 | M24308/4-262K | M2000/4-262K | Standard | 37 | ✗ | ✗ | M24308/4-4K |
| 81 | M24308/4-263K | M2000/4-263K | Standard | 50 | ✗ | ✗ | M24308/4-5K |
| 82 | M24308/4-11K | M2000/4-11K | High Density | 15 | ✓ | ✗ | M24308/4-11K |
| 83 | M24308/4-12K | M2000/4-12K | High Density | 26 | ✓ | ✗ | M24308/4-12K |
| 84 | M24308/4-13K | M2000/4-13K | High Density | 44 | ✓ | ✗ | M24308/4-13K |
| 85 | M24308/4-14K | M2000/4-14K | High Density | 62 | ✓ | ✗ | M24308/4-14K |
| 86 | M24308/4-15K | M2000/4-15K | High Density | 78 | ✓ | ✗ | M24308/4-15K |
| 87 | M24308/4-16K | M2000/4-16K | High Density | 104 | ✓ | ✗ | M24308/4-16K |
| 88 | M24308/4-17K | M2000/4-17K | High Density | 15 | ✓ | ✓ | M24308/4-11K |
| 89 | M24308/4-18K | M2000/4-18K | High Density | 26 | ✓ | ✓ | M24308/4-12K |
| 90 | M24308/4-19K | M2000/4-19K | High Density | 44 | ✓ | ✓ | M24308/4-13K |
| 91 | M24308/4-20K | M2000/4-20K | High Density | 62 | ✓ | ✓ | M24308/4-14K |
| 92 | M24308/4-21K | M2000/4-21K | High Density | 78 | ✓ | ✓ | M24308/4-15K |
| 93 | M24308/4-22K | M2000/4-22K | High Density | 104 | ✓ | ✓ | M24308/4-16K |
| 94 | M24308/4-264K | M2000/4-264K | High Density | 15 | ✗ | ✗ | M24308/4-11K |
| 95 | M24308/4-265K | M2000/4-265K | High Density | 26 | ✗ | ✗ | M24308/4-12K |
| 96 | M24308/4-266K | M2000/4-266K | High Density | 44 | ✗ | ✗ | M24308/4-13K |
| 97 | M24308/4-267K | M2000/4-267K | High Density | 62 | ✗ | ✗ | M24308/4-14K |
| 98 | M24308/4-268K | M2000/4-268K | High Density | 78 | ✗ | ✗ | M24308/4-15K |
| 99 | M24308/4-269K | M2000/4-269K | High Density | 104 | ✗ | ✗ | M24308/4-16K |

✓ – Included with connector
✗ – Not included with connector



Approved Part List QPL Crimp Plug Connector (With Magnetic Shell)

| Sr. No. | Military Designation | Manufacturers Designation | Type | No. of Pins | Crimp Contact | I R Tool | Marking On The Connector |
|---------|----------------------|---------------------------|--------------|-------------|---------------|----------|--------------------------|
| 97 | M24308/4-335 | M2000/4-335 | Standard | 9 | ✓ | ✗ | M24308/4-335 |
| 98 | M24308/4-336 | M2000/4-336 | Standard | 15 | ✓ | ✗ | M24308/4-336 |
| 99 | M24308/4-337 | M2000/4-337 | Standard | 25 | ✓ | ✗ | M24308/4-337 |
| 100 | M24308/4-338 | M2000/4-338 | Standard | 37 | ✓ | ✗ | M24308/4-338 |
| 101 | M24308/4-339 | M2000/4-339 | Standard | 50 | ✓ | ✗ | M24308/4-339 |
| 102 | M24308/4-340 | M2000/4-340 | Standard | 9 | ✓ | ✓ | M24308/4-335 |
| 103 | M24308/4-341 | M2000/4-341 | Standard | 15 | ✓ | ✓ | M24308/4-336 |
| 104 | M24308/4-342 | M2000/4-342 | Standard | 25 | ✓ | ✓ | M24308/4-337 |
| 105 | M24308/4-343 | M2000/4-343 | Standard | 37 | ✓ | ✓ | M24308/4-338 |
| 106 | M24308/4-344 | M2000/4-344 | Standard | 50 | ✓ | ✓ | M24308/4-339 |
| 107 | M24308/4-357 | M2000/4-357 | Standard | 9 | ✗ | ✗ | M24308/4-335 |
| 108 | M24308/4-358 | M2000/4-358 | Standard | 15 | ✗ | ✗ | M24308/4-336 |
| 109 | M24308/4-359 | M2000/4-359 | Standard | 25 | ✗ | ✗ | M24308/4-337 |
| 110 | M24308/4-360 | M2000/4-360 | Standard | 37 | ✗ | ✗ | M24308/4-338 |
| 111 | M24308/4-361 | M2000/4-361 | Standard | 50 | ✗ | ✗ | M24308/4-339 |
| 112 | M24308/4-345 | M2000/4-345 | High Density | 15 | ✓ | ✗ | M24308/4-345 |
| 113 | M24308/4-346 | M2000/4-346 | High Density | 26 | ✓ | ✗ | M24308/4-346 |
| 114 | M24308/4-347 | M2000/4-347 | High Density | 44 | ✓ | ✗ | M24308/4-347 |
| 115 | M24308/4-348 | M2000/4-348 | High Density | 62 | ✓ | ✗ | M24308/4-348 |
| 116 | M24308/4-349 | M2000/4-349 | High Density | 78 | ✓ | ✗ | M24308/4-349 |
| 117 | M24308/4-350 | M2000/4-350 | High Density | 104 | ✓ | ✗ | M24308/4-350 |
| 118 | M24308/4-351 | M2000/4-351 | High Density | 15 | ✓ | ✓ | M24308/4-345 |
| 119 | M24308/4-352 | M2000/4-352 | High Density | 26 | ✓ | ✓ | M24308/4-346 |
| 120 | M24308/4-353 | M2000/4-353 | High Density | 44 | ✓ | ✓ | M24308/4-347 |
| 121 | M24308/4-354 | M2000/4-354 | High Density | 62 | ✓ | ✓ | M24308/4-348 |
| 122 | M24308/4-355 | M2000/4-355 | High Density | 78 | ✓ | ✓ | M24308/4-349 |
| 123 | M24308/4-356 | M2000/4-356 | High Density | 104 | ✓ | ✓ | M24308/4-350 |
| 124 | M24308/4-362 | M2000/4-362 | High Density | 15 | ✗ | ✗ | M24308/4-345 |
| 125 | M24308/4-363 | M2000/4-363 | High Density | 26 | ✗ | ✗ | M24308/4-346 |
| 126 | M24308/4-364 | M2000/4-364 | High Density | 44 | ✗ | ✗ | M24308/4-347 |
| 127 | M24308/4-365 | M2000/4-365 | High Density | 62 | ✗ | ✗ | M24308/4-348 |
| 128 | M24308/4-366 | M2000/4-366 | High Density | 78 | ✗ | ✗ | M24308/4-349 |
| 129 | M24308/4-367 | M2000/4-367 | High Density | 104 | ✗ | ✗ | M24308/4-350 |

✓ – Included with connector
✗ – Not included with connector



Approved Part List QPL Crimp Plug Connector (With Non-Magnetic Shell)

| Sr. No. | Military Designation | Manufacturers Designation | Type | No. of Pins | Crimp Contact | I R Tool | Marking On The Connector |
|---------|----------------------|---------------------------|--------------|-------------|---------------|----------|--------------------------|
| 1 | M24308/8-1F | M2000/8-1F | Standard | 9 | ✓ | ✗ | M24308/8-1F |
| 2 | M24308/8-2F | M2000/8-2F | Standard | 15 | ✓ | ✗ | M24308/8-2F |
| 3 | M24308/8-3F | M2000/8-3F | Standard | 25 | ✓ | ✗ | M24308/8-3F |
| 4 | M24308/8-4F | M2000/8-4F | Standard | 37 | ✓ | ✗ | M24308/8-4F |
| 5 | M24308/8-5F | M2000/8-5F | Standard | 50 | ✓ | ✗ | M24308/8-5F |
| 6 | M24308/8-6F | M2000/8-6F | Standard | 9 | ✓ | ✓ | M24308/8-1F |
| 7 | M24308/8-7F | M2000/8-7F | Standard | 15 | ✓ | ✓ | M24308/8-2F |
| 8 | M24308/8-8F | M2000/8-8F | Standard | 25 | ✓ | ✓ | M24308/8-3F |
| 9 | M24308/8-9F | M2000/8-9F | Standard | 37 | ✓ | ✓ | M24308/8-4F |
| 10 | M24308/8-10F | M2000/8-10F | Standard | 50 | ✓ | ✓ | M24308/8-5F |
| 11 | M24308/8-259F | M2000/8-259F | Standard | 9 | ✗ | ✗ | M24308/8-1F |
| 12 | M24308/8-260F | M2000/8-260F | Standard | 15 | ✗ | ✗ | M24308/8-2F |
| 13 | M24308/8-261F | M2000/8-261F | Standard | 25 | ✗ | ✗ | M24308/8-3F |
| 14 | M24308/8-262F | M2000/8-262F | Standard | 37 | ✗ | ✗ | M24308/8-4F |
| 15 | M24308/8-263F | M2000/8-263F | Standard | 50 | ✗ | ✗ | M24308/8-5F |
| 16 | M24308/8-11F | M2000/8-11F | High Density | 15 | ✓ | ✗ | M24308/8-11F |
| 17 | M24308/8-12F | M2000/8-12F | High Density | 26 | ✓ | ✗ | M24308/8-12F |
| 18 | M24308/8-13F | M2000/8-13F | High Density | 44 | ✓ | ✗ | M24308/8-13F |
| 19 | M24308/8-14F | M2000/8-14F | High Density | 62 | ✓ | ✗ | M24308/8-14F |
| 20 | M24308/8-15F | M2000/8-15F | High Density | 78 | ✓ | ✗ | M24308/8-15F |
| 21 | M24308/8-16F | M2000/8-16F | High Density | 104 | ✓ | ✗ | M24308/8-16F |
| 22 | M24308/8-17F | M2000/8-17F | High Density | 15 | ✓ | ✓ | M24308/8-11F |
| 23 | M24308/8-18F | M2000/8-18F | High Density | 26 | ✓ | ✓ | M24308/8-12F |
| 24 | M24308/8-19F | M2000/8-19F | High Density | 44 | ✓ | ✓ | M24308/8-13F |
| 25 | M24308/8-20F | M2000/8-20F | High Density | 62 | ✓ | ✓ | M24308/8-14F |
| 26 | M24308/8-21F | M2000/8-21F | High Density | 78 | ✓ | ✓ | M24308/8-15F |
| 27 | M24308/8-22F | M2000/8-22F | High Density | 104 | ✓ | ✓ | M24308/8-16F |
| 28 | M24308/8-264F | M2000/8-264F | High Density | 15 | ✗ | ✗ | M24308/8-11F |
| 29 | M24308/8-265F | M2000/8-265F | High Density | 26 | ✗ | ✗ | M24308/8-12F |
| 30 | M24308/8-266F | M2000/8-266F | High Density | 44 | ✗ | ✗ | M24308/8-13F |
| 31 | M24308/8-267F | M2000/8-267F | High Density | 62 | ✗ | ✗ | M24308/8-14F |
| 32 | M24308/8-268F | M2000/8-268F | High Density | 78 | ✗ | ✗ | M24308/8-15F |
| 33 | M24308/8-269F | M2000/8-269F | High Density | 104 | ✗ | ✗ | M24308/8-16F |

✓ – Included with connector
✗ – Not included with connector



Approved Part List QPL Crimp Plug Connector (With Non-Magnetic Shell)

| Sr. No. | Military Designation | Manufacturers Designation | Type | No. of Pins | Crimp Contact | I R Tool | Marking On The Connector |
|---------|----------------------|---------------------------|--------------|-------------|---------------|----------|--------------------------|
| 34 | M24308/8-1Z | M2000/8-1Z | Standard | 9 | ✓ | ✗ | M24308/8-1Z |
| 35 | M24308/8-2Z | M2000/8-2Z | Standard | 15 | ✓ | ✗ | M24308/8-2Z |
| 36 | M24308/8-3Z | M2000/8-3Z | Standard | 25 | ✓ | ✗ | M24308/8-3Z |
| 37 | M24308/8-4Z | M2000/8-4Z | Standard | 37 | ✓ | ✗ | M24308/8-4Z |
| 38 | M24308/8-5Z | M2000/8-5Z | Standard | 50 | ✓ | ✗ | M24308/8-5Z |
| 39 | M24308/8-6Z | M2000/8-6Z | Standard | 9 | ✓ | ✓ | M24308/8-1Z |
| 40 | M24308/8-7Z | M2000/8-7Z | Standard | 15 | ✓ | ✓ | M24308/8-2Z |
| 41 | M24308/8-8Z | M2000/8-8Z | Standard | 25 | ✓ | ✓ | M24308/8-3Z |
| 42 | M24308/8-9Z | M2000/8-9Z | Standard | 37 | ✓ | ✓ | M24308/8-4Z |
| 43 | M24308/8-10Z | M2000/8-10Z | Standard | 50 | ✓ | ✓ | M24308/8-5Z |
| 44 | M24308/8-259Z | M2000/8-259Z | Standard | 9 | ✗ | ✗ | M24308/8-1Z |
| 45 | M24308/8-260Z | M2000/8-260Z | Standard | 15 | ✗ | ✗ | M24308/8-2Z |
| 46 | M24308/8-261Z | M2000/8-261Z | Standard | 25 | ✗ | ✗ | M24308/8-3Z |
| 47 | M24308/8-262Z | M2000/8-262Z | Standard | 37 | ✗ | ✗ | M24308/8-4Z |
| 48 | M24308/8-263Z | M2000/8-263Z | Standard | 50 | ✗ | ✗ | M24308/8-5Z |
| 49 | M24308/8-11Z | M2000/8-11Z | High Density | 15 | ✓ | ✗ | M24308/8-11Z |
| 50 | M24308/8-12Z | M2000/8-12Z | High Density | 26 | ✓ | ✗ | M24308/8-12Z |
| 51 | M24308/8-13Z | M2000/8-13Z | High Density | 44 | ✓ | ✗ | M24308/8-13Z |
| 52 | M24308/8-14Z | M2000/8-14Z | High Density | 62 | ✓ | ✗ | M24308/8-14Z |
| 53 | M24308/8-15Z | M2000/8-15Z | High Density | 78 | ✓ | ✗ | M24308/8-15Z |
| 54 | M24308/8-16Z | M2000/8-16Z | High Density | 104 | ✓ | ✗ | M24308/8-16Z |
| 55 | M24308/8-17Z | M2000/8-17Z | High Density | 15 | ✓ | ✓ | M24308/8-11Z |
| 56 | M24308/8-18Z | M2000/8-18Z | High Density | 26 | ✓ | ✓ | M24308/8-12Z |
| 57 | M24308/8-19Z | M2000/8-19Z | High Density | 44 | ✓ | ✓ | M24308/8-13Z |
| 58 | M24308/8-20Z | M2000/8-20Z | High Density | 62 | ✓ | ✓ | M24308/8-14Z |
| 59 | M24308/8-21Z | M2000/8-21Z | High Density | 78 | ✓ | ✓ | M24308/8-15Z |
| 60 | M24308/8-22Z | M2000/8-22Z | High Density | 104 | ✓ | ✓ | M24308/8-16Z |
| 61 | M24308/8-264Z | M2000/8-264Z | High Density | 15 | ✗ | ✗ | M24308/8-11Z |
| 62 | M24308/8-265Z | M2000/8-265Z | High Density | 26 | ✗ | ✗ | M24308/8-12Z |
| 63 | M24308/8-266Z | M2000/8-266Z | High Density | 44 | ✗ | ✗ | M24308/8-13Z |
| 64 | M24308/8-267Z | M2000/8-267Z | High Density | 62 | ✗ | ✗ | M24308/8-14Z |
| 65 | M24308/8-268Z | M2000/8-268Z | High Density | 78 | ✗ | ✗ | M24308/8-15Z |
| 66 | M24308/8-269Z | M2000/8-269Z | High Density | 104 | ✗ | ✗ | M24308/8-16Z |

✓ – Included with connector
✗ – Not included with connector

| Sr. No. | Military Designation | Manufacturers Designation | Type | No. of Pins | Crimp Contact | I R Tool | Marking On The Connector |
|---------|----------------------|---------------------------|--------------|-------------|---------------|----------|--------------------------|
| 67 | M24308/8-335 | M2000/8-335 | Standard | 9 | ✓ | ✗ | M24308/8-335 |
| 68 | M24308/8-336 | M2000/8-336 | Standard | 15 | ✓ | ✗ | M24308/8-336 |
| 69 | M24308/8-337 | M2000/8-337 | Standard | 25 | ✓ | ✗ | M24308/8-337 |
| 70 | M24308/8-338 | M2000/8-338 | Standard | 37 | ✓ | ✗ | M24308/8-338 |
| 71 | M24308/8-339 | M2000/8-339 | Standard | 50 | ✓ | ✗ | M24308/8-339 |
| 72 | M24308/8-340 | M2000/8-340 | Standard | 9 | ✓ | ✓ | M24308/8-335 |
| 73 | M24308/8-341 | M2000/8-341 | Standard | 15 | ✓ | ✓ | M24308/8-336 |
| 74 | M24308/8-342 | M2000/8-342 | Standard | 25 | ✓ | ✓ | M24308/8-337 |
| 75 | M24308/8-343 | M2000/8-343 | Standard | 37 | ✓ | ✓ | M24308/8-338 |
| 76 | M24308/8-344 | M2000/8-344 | Standard | 50 | ✓ | ✓ | M24308/8-339 |
| 77 | M24308/8-357 | M2000/8-357 | Standard | 9 | ✗ | ✗ | M24308/8-335 |
| 78 | M24308/8-358 | M2000/8-358 | Standard | 15 | ✗ | ✗ | M24308/8-336 |
| 79 | M24308/8-359 | M2000/8-359 | Standard | 25 | ✗ | ✗ | M24308/8-337 |
| 80 | M24308/8-360 | M2000/8-360 | Standard | 37 | ✗ | ✗ | M24308/8-338 |
| 81 | M24308/8-361 | M2000/8-361 | Standard | 50 | ✗ | ✗ | M24308/8-339 |
| 82 | M24308/8-345 | M2000/8-345 | High Density | 15 | ✓ | ✗ | M24308/8-345 |
| 83 | M24308/8-346 | M2000/8-346 | High Density | 26 | ✓ | ✗ | M24308/8-346 |
| 84 | M24308/8-347 | M2000/8-347 | High Density | 44 | ✓ | ✗ | M24308/8-347 |
| 85 | M24308/8-348 | M2000/8-348 | High Density | 62 | ✓ | ✗ | M24308/8-348 |
| 86 | M24308/8-349 | M2000/8-349 | High Density | 78 | ✓ | ✗ | M24308/8-349 |
| 87 | M24308/8-350 | M2000/8-350 | High Density | 104 | ✓ | ✗ | M24308/8-350 |
| 88 | M24308/8-351 | M2000/8-351 | High Density | 15 | ✓ | ✓ | M24308/8-345 |
| 89 | M24308/8-352 | M2000/8-352 | High Density | 26 | ✓ | ✓ | M24308/8-346 |
| 90 | M24308/8-353 | M2000/8-353 | High Density | 44 | ✓ | ✓ | M24308/8-347 |
| 91 | M24308/8-354 | M2000/8-354 | High Density | 62 | ✓ | ✓ | M24308/8-348 |
| 92 | M24308/8-355 | M2000/8-355 | High Density | 78 | ✓ | ✓ | M24308/8-349 |
| 93 | M24308/8-356 | M2000/8-356 | High Density | 104 | ✓ | ✓ | M24308/8-350 |
| 94 | M24308/8-362 | M2000/8-362 | High Density | 15 | ✗ | ✗ | M24308/8-345 |
| 95 | M24308/8-363 | M2000/8-363 | High Density | 26 | ✗ | ✗ | M24308/8-346 |
| 96 | M24308/8-364 | M2000/8-364 | High Density | 44 | ✗ | ✗ | M24308/8-347 |
| 97 | M24308/8-365 | M2000/8-365 | High Density | 62 | ✗ | ✗ | M24308/8-348 |
| 98 | M24308/8-366 | M2000/8-366 | High Density | 78 | ✗ | ✗ | M24308/8-349 |
| 99 | M24308/8-367 | M2000/8-367 | High Density | 104 | ✗ | ✗ | M24308/8-350 |

✓ – Included with connector

✗ – Not included with connector



| Sr. No. | Military Designation | Manufacturers Designation | Type | No. of Pins | Crimp Contact | I R Tool | Marking On The Connector |
|---------|----------------------|---------------------------|--------------|-------------|---------------|----------|--------------------------|
| 1 | M24308/4-302F | M2000/4-302F | Standard | 9 | ✓ | ✗ | M24308/4-302F |
| 2 | M24308/4-303F | M2000/4-303F | Standard | 15 | ✓ | ✗ | M24308/4-303F |
| 3 | M24308/4-304F | M2000/4-304F | Standard | 25 | ✓ | ✗ | M24308/4-304F |
| 4 | M24308/4-305F | M2000/4-305F | Standard | 37 | ✓ | ✗ | M24308/4-305F |
| 5 | M24308/4-306F | M2000/4-306F | Standard | 50 | ✓ | ✗ | M24308/4-306F |
| 6 | M24308/4-313F | M2000/4-313F | Standard | 9 | ✓ | ✓ | M24308/4-302F |
| 7 | M24308/4-314F | M2000/4-314F | Standard | 15 | ✓ | ✓ | M24308/4-303F |
| 8 | M24308/4-315F | M2000/4-315F | Standard | 25 | ✓ | ✓ | M24308/4-304F |
| 9 | M24308/4-316F | M2000/4-316F | Standard | 37 | ✓ | ✓ | M24308/4-305F |
| 10 | M24308/4-317F | M2000/4-317F | Standard | 50 | ✓ | ✓ | M24308/4-306F |
| 11 | M24308/4-324F | M2000/4-324F | Standard | 9 | ✗ | ✗ | M24308/4-302F |
| 12 | M24308/4-325F | M2000/4-325F | Standard | 15 | ✗ | ✗ | M24308/4-303F |
| 13 | M24308/4-326F | M2000/4-326F | Standard | 25 | ✗ | ✗ | M24308/4-304F |
| 14 | M24308/4-327F | M2000/4-327F | Standard | 37 | ✗ | ✗ | M24308/4-305F |
| 15 | M24308/4-328F | M2000/4-328F | Standard | 50 | ✗ | ✗ | M24308/4-306F |
| 16 | M24308/4-307F | M2000/4-307F | High Density | 15 | ✓ | ✗ | M24308/4-307F |
| 17 | M24308/4-308F | M2000/4-308F | High Density | 26 | ✓ | ✗ | M24308/4-308F |
| 18 | M24308/4-309F | M2000/4-309F | High Density | 44 | ✓ | ✗ | M24308/4-309F |
| 19 | M24308/4-310F | M2000/4-310F | High Density | 62 | ✓ | ✗ | M24308/4-310F |
| 20 | M24308/4-311F | M2000/4-311F | High Density | 78 | ✓ | ✗ | M24308/4-311F |
| 21 | M24308/4-312F | M2000/4-312F | High Density | 104 | ✓ | ✗ | M24308/4-312F |
| 22 | M24308/4-318F | M2000/4-318F | High Density | 15 | ✓ | ✓ | M24308/4-307F |
| 23 | M24308/4-319F | M2000/4-319F | High Density | 26 | ✓ | ✓ | M24308/4-308F |
| 24 | M24308/4-320F | M2000/4-320F | High Density | 44 | ✓ | ✓ | M24308/4-309F |
| 25 | M24308/4-321F | M2000/4-321F | High Density | 62 | ✓ | ✓ | M24308/4-310F |
| 26 | M24308/4-322F | M2000/4-322F | High Density | 78 | ✓ | ✓ | M24308/4-311F |
| 27 | M24308/4-323F | M2000/4-323F | High Density | 104 | ✓ | ✓ | M24308/4-312F |
| 28 | M24308/4-329F | M2000/4-329F | High Density | 15 | ✗ | ✗ | M24308/4-307F |
| 29 | M24308/4-330F | M2000/4-330F | High Density | 26 | ✗ | ✗ | M24308/4-308F |
| 30 | M24308/4-331F | M2000/4-331F | High Density | 44 | ✗ | ✗ | M24308/4-309F |
| 31 | M24308/4-332F | M2000/4-332F | High Density | 62 | ✗ | ✗ | M24308/4-310F |
| 32 | M24308/4-333F | M2000/4-333F | High Density | 78 | ✗ | ✗ | M24308/4-311F |
| 33 | M24308/4-334F | M2000/4-334F | High Density | 104 | ✗ | ✗ | M24308/4-312F |

✓ – Included with connector
✗ – Not included with connector

| Sr. No. | Military Designation | Manufacturers Designation | Type | No. of Pins | Crimp Contact | I R Tool | Marking On The Connector |
|---------|----------------------|---------------------------|--------------|-------------|---------------|----------|--------------------------|
| 34 | M24308/4-435F | M2000/4-435F | Standard | 9 | ✓ | ✘ | M24308/4-435F |
| 35 | M24308/4-436F | M2000/4-436F | Standard | 15 | ✓ | ✘ | M24308/4-436F |
| 36 | M24308/4-437F | M2000/4-437F | Standard | 25 | ✓ | ✘ | M24308/4-437F |
| 37 | M24308/4-438F | M2000/4-438F | Standard | 37 | ✓ | ✘ | M24308/4-438F |
| 38 | M24308/4-439F | M2000/4-439F | Standard | 50 | ✓ | ✘ | M24308/4-439F |
| 39 | M24308/4-446F | M2000/4-446F | Standard | 9 | ✓ | ✓ | M24308/4-435F |
| 40 | M24308/4-447F | M2000/4-447F | Standard | 15 | ✓ | ✓ | M24308/4-436F |
| 41 | M24308/4-448F | M2000/4-448F | Standard | 25 | ✓ | ✓ | M24308/4-437F |
| 42 | M24308/4-449F | M2000/4-449F | Standard | 37 | ✓ | ✓ | M24308/4-438F |
| 43 | M24308/4-450F | M2000/4-450F | Standard | 50 | ✓ | ✓ | M24308/4-439F |
| 44 | M24308/4-457F | M2000/4-457F | Standard | 9 | ✘ | ✘ | M24308/4-435F |
| 45 | M24308/4-458F | M2000/4-458F | Standard | 15 | ✘ | ✘ | M24308/4-436F |
| 46 | M24308/4-459F | M2000/4-459F | Standard | 25 | ✘ | ✘ | M24308/4-437F |
| 47 | M24308/4-460F | M2000/4-460F | Standard | 37 | ✘ | ✘ | M24308/4-438F |
| 48 | M24308/4-461F | M2000/4-461F | Standard | 50 | ✘ | ✘ | M24308/4-439F |
| 49 | M24308/4-440F | M2000/4-440F | High Density | 15 | ✓ | ✘ | M24308/4-440F |
| 50 | M24308/4-441F | M2000/4-441F | High Density | 26 | ✓ | ✘ | M24308/4-441F |
| 51 | M24308/4-442F | M2000/4-442F | High Density | 44 | ✓ | ✘ | M24308/4-442F |
| 52 | M24308/4-443F | M2000/4-443F | High Density | 62 | ✓ | ✘ | M24308/4-443F |
| 53 | M24308/4-444F | M2000/4-444F | High Density | 78 | ✓ | ✘ | M24308/4-444F |
| 54 | M24308/4-445F | M2000/4-445F | High Density | 104 | ✓ | ✘ | M24308/4-445F |
| 55 | M24308/4-451F | M2000/4-451F | High Density | 15 | ✓ | ✓ | M24308/4-440F |
| 56 | M24308/4-452F | M2000/4-452F | High Density | 26 | ✓ | ✓ | M24308/4-441F |
| 57 | M24308/4-453F | M2000/4-453F | High Density | 44 | ✓ | ✓ | M24308/4-442F |
| 58 | M24308/4-454F | M2000/4-454F | High Density | 62 | ✓ | ✓ | M24308/4-443F |
| 59 | M24308/4-455F | M2000/4-455F | High Density | 78 | ✓ | ✓ | M24308/4-444F |
| 60 | M24308/4-456F | M2000/4-456F | High Density | 104 | ✓ | ✓ | M24308/4-445F |
| 61 | M24308/4-462F | M2000/4-462F | High Density | 15 | ✘ | ✘ | M24308/4-440F |
| 62 | M24308/4-463F | M2000/4-463F | High Density | 26 | ✘ | ✘ | M24308/4-441F |
| 63 | M24308/4-464F | M2000/4-464F | High Density | 44 | ✘ | ✘ | M24308/4-442F |
| 64 | M24308/4-465F | M2000/4-465F | High Density | 62 | ✘ | ✘ | M24308/4-443F |
| 65 | M24308/4-466F | M2000/4-466F | High Density | 78 | ✘ | ✘ | M24308/4-444F |
| 66 | M24308/4-467F | M2000/4-467F | High Density | 104 | ✘ | ✘ | M24308/4-445F |

✓ – Included with connector

✘ – Not included with connector

| Sr. No. | Military Designation | Manufacturers Designation | Type | No. of Pins | Crimp Contact | I R Tool | Marking On The Connector |
|---------|----------------------|---------------------------|--------------|-------------|---------------|----------|--------------------------|
| 67 | M24308/4-302Z | M2000/4-302Z | Standard | 9 | ✓ | ✗ | M24308/4-302Z |
| 68 | M24308/4-303Z | M2000/4-303Z | Standard | 15 | ✓ | ✗ | M24308/4-303Z |
| 69 | M24308/4-304Z | M2000/4-304Z | Standard | 25 | ✓ | ✗ | M24308/4-304Z |
| 70 | M24308/4-305Z | M2000/4-305Z | Standard | 37 | ✓ | ✗ | M24308/4-305Z |
| 71 | M24308/4-306Z | M2000/4-306Z | Standard | 50 | ✓ | ✗ | M24308/4-306Z |
| 72 | M24308/4-313Z | M2000/4-313Z | Standard | 9 | ✓ | ✓ | M24308/4-302Z |
| 73 | M24308/4-314Z | M2000/4-314Z | Standard | 15 | ✓ | ✓ | M24308/4-303Z |
| 74 | M24308/4-315Z | M2000/4-315Z | Standard | 25 | ✓ | ✓ | M24308/4-304Z |
| 75 | M24308/4-316Z | M2000/4-316Z | Standard | 37 | ✓ | ✓ | M24308/4-305Z |
| 76 | M24308/4-317Z | M2000/4-317Z | Standard | 50 | ✓ | ✓ | M24308/4-306Z |
| 77 | M24308/4-324Z | M2000/4-324Z | Standard | 9 | ✗ | ✗ | M24308/4-302Z |
| 78 | M24308/4-325Z | M2000/4-325Z | Standard | 15 | ✗ | ✗ | M24308/4-303Z |
| 79 | M24308/4-326Z | M2000/4-326Z | Standard | 25 | ✗ | ✗ | M24308/4-304Z |
| 80 | M24308/4-327Z | M2000/4-327Z | Standard | 37 | ✗ | ✗ | M24308/4-305Z |
| 81 | M24308/4-328Z | M2000/4-328Z | Standard | 50 | ✗ | ✗ | M24308/4-306Z |
| 82 | M24308/4-307Z | M2000/4-307Z | High Density | 15 | ✓ | ✗ | M24308/4-307Z |
| 83 | M24308/4-308Z | M2000/4-308Z | High Density | 26 | ✓ | ✗ | M24308/4-308Z |
| 84 | M24308/4-309Z | M2000/4-309Z | High Density | 44 | ✓ | ✗ | M24308/4-309Z |
| 85 | M24308/4-310Z | M2000/4-310Z | High Density | 62 | ✓ | ✗ | M24308/4-310Z |
| 86 | M24308/4-311Z | M2000/4-311Z | High Density | 78 | ✓ | ✗ | M24308/4-311Z |
| 87 | M24308/4-312Z | M2000/4-312Z | High Density | 104 | ✓ | ✗ | M24308/4-312Z |
| 88 | M24308/4-318Z | M2000/4-318Z | High Density | 15 | ✓ | ✓ | M24308/4-307Z |
| 89 | M24308/4-319Z | M2000/4-319Z | High Density | 26 | ✓ | ✓ | M24308/4-308Z |
| 90 | M24308/4-320Z | M2000/4-320Z | High Density | 44 | ✓ | ✓ | M24308/4-309Z |
| 91 | M24308/4-321Z | M2000/4-321Z | High Density | 62 | ✓ | ✓ | M24308/4-310Z |
| 92 | M24308/4-322Z | M2000/4-322Z | High Density | 78 | ✓ | ✓ | M24308/4-311Z |
| 93 | M24308/4-323Z | M2000/4-323Z | High Density | 104 | ✓ | ✓ | M24308/4-312Z |
| 94 | M24308/4-329Z | M2000/4-329Z | High Density | 15 | ✗ | ✗ | M24308/4-307Z |
| 95 | M24308/4-330Z | M2000/4-330Z | High Density | 26 | ✗ | ✗ | M24308/4-308Z |
| 96 | M24308/4-331Z | M2000/4-331Z | High Density | 44 | ✗ | ✗ | M24308/4-309Z |
| 97 | M24308/4-332Z | M2000/4-332Z | High Density | 62 | ✗ | ✗ | M24308/4-310Z |
| 98 | M24308/4-333Z | M2000/4-333Z | High Density | 78 | ✗ | ✗ | M24308/4-311Z |
| 99 | M24308/4-334Z | M2000/4-334Z | High Density | 104 | ✗ | ✗ | M24308/4-312Z |

✓ – Included with connector

✗ – Not included with connector

| Sr. No. | Military Designation | Manufacturers Designation | Type | No. of Pins | Crimp Contact | I R Tool | Marking On The Connector |
|---------|----------------------|---------------------------|--------------|-------------|---------------|----------|--------------------------|
| 100 | M24308/4-435Z | M2000/4-435Z | Standard | 9 | ✓ | ✘ | M24308/4-435Z |
| 101 | M24308/4-436Z | M2000/4-436Z | Standard | 15 | ✓ | ✘ | M24308/4-436Z |
| 102 | M24308/4-437Z | M2000/4-437Z | Standard | 25 | ✓ | ✘ | M24308/4-437Z |
| 103 | M24308/4-438Z | M2000/4-438Z | Standard | 37 | ✓ | ✘ | M24308/4-438Z |
| 104 | M24308/4-439Z | M2000/4-439Z | Standard | 50 | ✓ | ✘ | M24308/4-439Z |
| 105 | M24308/4-446Z | M2000/4-446Z | Standard | 9 | ✓ | ✓ | M24308/4-435Z |
| 106 | M24308/4-447Z | M2000/4-447Z | Standard | 15 | ✓ | ✓ | M24308/4-436Z |
| 107 | M24308/4-448Z | M2000/4-448Z | Standard | 25 | ✓ | ✓ | M24308/4-437Z |
| 108 | M24308/4-449Z | M2000/4-449Z | Standard | 37 | ✓ | ✓ | M24308/4-438Z |
| 109 | M24308/4-450Z | M2000/4-450Z | Standard | 50 | ✓ | ✓ | M24308/4-439Z |
| 110 | M24308/4-457Z | M2000/4-457Z | Standard | 9 | ✘ | ✘ | M24308/4-435Z |
| 111 | M24308/4-458Z | M2000/4-458Z | Standard | 15 | ✘ | ✘ | M24308/4-436Z |
| 112 | M24308/4-459Z | M2000/4-459Z | Standard | 25 | ✘ | ✘ | M24308/4-437Z |
| 113 | M24308/4-460Z | M2000/4-460Z | Standard | 37 | ✘ | ✘ | M24308/4-438Z |
| 114 | M24308/4-461Z | M2000/4-461Z | Standard | 50 | ✘ | ✘ | M24308/4-439Z |
| 115 | M24308/4-440Z | M2000/4-440Z | High Density | 15 | ✓ | ✘ | M24308/4-440Z |
| 116 | M24308/4-441Z | M2000/4-441Z | High Density | 26 | ✓ | ✘ | M24308/4-441Z |
| 117 | M24308/4-442Z | M2000/4-442Z | High Density | 44 | ✓ | ✘ | M24308/4-442Z |
| 118 | M24308/4-443Z | M2000/4-443Z | High Density | 62 | ✓ | ✘ | M24308/4-443Z |
| 119 | M24308/4-444Z | M2000/4-444Z | High Density | 78 | ✓ | ✘ | M24308/4-444Z |
| 120 | M24308/4-445Z | M2000/4-445Z | High Density | 104 | ✓ | ✘ | M24308/4-445Z |
| 121 | M24308/4-451Z | M2000/4-451Z | High Density | 15 | ✓ | ✓ | M24308/4-440Z |
| 122 | M24308/4-452Z | M2000/4-452Z | High Density | 26 | ✓ | ✓ | M24308/4-441Z |
| 123 | M24308/4-453Z | M2000/4-453Z | High Density | 44 | ✓ | ✓ | M24308/4-442Z |
| 124 | M24308/4-454Z | M2000/4-454Z | High Density | 62 | ✓ | ✓ | M24308/4-443Z |
| 125 | M24308/4-455Z | M2000/4-455Z | High Density | 78 | ✓ | ✓ | M24308/4-444Z |
| 126 | M24308/4-456Z | M2000/4-456Z | High Density | 104 | ✓ | ✓ | M24308/4-445Z |
| 127 | M24308/4-462Z | M2000/4-462Z | High Density | 15 | ✘ | ✘ | M24308/4-440Z |
| 128 | M24308/4-463Z | M2000/4-463Z | High Density | 26 | ✘ | ✘ | M24308/4-441Z |
| 129 | M24308/4-464Z | M2000/4-464Z | High Density | 44 | ✘ | ✘ | M24308/4-442Z |
| 130 | M24308/4-465Z | M2000/4-465Z | High Density | 62 | ✘ | ✘ | M24308/4-443Z |
| 131 | M24308/4-466Z | M2000/4-466Z | High Density | 78 | ✘ | ✘ | M24308/4-444Z |
| 132 | M24308/4-467Z | M2000/4-467Z | High Density | 104 | ✘ | ✘ | M24308/4-445Z |

✓ – Included with connector

✘ – Not included with connector

| Sr. No. | Military Designation | Manufacturers Designation | Type | No. of Pins | Crimp Contact | I R Tool | Marking On The Connector |
|---------|----------------------|---------------------------|--------------|-------------|---------------|----------|--------------------------|
| 133 | M24308/4-302K | M2000/4-302K | Standard | 9 | ✓ | ✗ | M24308/4-302K |
| 134 | M24308/4-303K | M2000/4-303K | Standard | 15 | ✓ | ✗ | M24308/4-303K |
| 135 | M24308/4-304K | M2000/4-304K | Standard | 25 | ✓ | ✗ | M24308/4-304K |
| 136 | M24308/4-305K | M2000/4-305K | Standard | 37 | ✓ | ✗ | M24308/4-305K |
| 137 | M24308/4-306K | M2000/4-306K | Standard | 50 | ✓ | ✗ | M24308/4-306K |
| 138 | M24308/4-313K | M2000/4-313K | Standard | 9 | ✓ | ✓ | M24308/4-302K |
| 139 | M24308/4-314K | M2000/4-314K | Standard | 15 | ✓ | ✓ | M24308/4-303K |
| 140 | M24308/4-315K | M2000/4-315K | Standard | 25 | ✓ | ✓ | M24308/4-304K |
| 141 | M24308/4-316K | M2000/4-316K | Standard | 37 | ✓ | ✓ | M24308/4-305K |
| 142 | M24308/4-317K | M2000/4-317K | Standard | 50 | ✓ | ✓ | M24308/4-306K |
| 143 | M24308/4-324K | M2000/4-324K | Standard | 9 | ✗ | ✗ | M24308/4-302K |
| 144 | M24308/4-325K | M2000/4-325K | Standard | 15 | ✗ | ✗ | M24308/4-303K |
| 145 | M24308/4-326K | M2000/4-326K | Standard | 25 | ✗ | ✗ | M24308/4-304K |
| 146 | M24308/4-327K | M2000/4-327K | Standard | 37 | ✗ | ✗ | M24308/4-305K |
| 147 | M24308/4-328K | M2000/4-328K | Standard | 50 | ✗ | ✗ | M24308/4-306K |
| 148 | M24308/4-307K | M2000/4-307K | High Density | 15 | ✓ | ✗ | M24308/4-307K |
| 149 | M24308/4-308K | M2000/4-308K | High Density | 26 | ✓ | ✗ | M24308/4-308K |
| 150 | M24308/4-309K | M2000/4-309K | High Density | 44 | ✓ | ✗ | M24308/4-309K |
| 151 | M24308/4-310K | M2000/4-310K | High Density | 62 | ✓ | ✗ | M24308/4-310K |
| 152 | M24308/4-311K | M2000/4-311K | High Density | 78 | ✓ | ✗ | M24308/4-311K |
| 153 | M24308/4-312K | M2000/4-312K | High Density | 104 | ✓ | ✗ | M24308/4-312K |
| 154 | M24308/4-318K | M2000/4-318K | High Density | 15 | ✓ | ✓ | M24308/4-307K |
| 155 | M24308/4-319K | M2000/4-319K | High Density | 26 | ✓ | ✓ | M24308/4-308K |
| 156 | M24308/4-320K | M2000/4-320K | High Density | 44 | ✓ | ✓ | M24308/4-309K |
| 157 | M24308/4-321K | M2000/4-321K | High Density | 62 | ✓ | ✓ | M24308/4-310K |
| 158 | M24308/4-322K | M2000/4-322K | High Density | 78 | ✓ | ✓ | M24308/4-311K |
| 159 | M24308/4-323K | M2000/4-323K | High Density | 104 | ✓ | ✓ | M24308/4-312K |
| 160 | M24308/4-329K | M2000/4-329K | High Density | 15 | ✗ | ✗ | M24308/4-307K |
| 161 | M24308/4-330K | M2000/4-330K | High Density | 26 | ✗ | ✗ | M24308/4-308K |
| 162 | M24308/4-331K | M2000/4-331K | High Density | 44 | ✗ | ✗ | M24308/4-309K |
| 163 | M24308/4-332K | M2000/4-332K | High Density | 62 | ✗ | ✗ | M24308/4-310K |
| 164 | M24308/4-333K | M2000/4-333K | High Density | 78 | ✗ | ✗ | M24308/4-311K |
| 165 | M24308/4-334K | M2000/4-334K | High Density | 104 | ✗ | ✗ | M24308/4-312K |

✓ – Included with connector

✗ – Not included with connector

| Sr. No. | Military Designation | Manufacturers Designation | Type | No. of Pins | Crimp Contact | I R Tool | Marking On The Connector |
|---------|----------------------|---------------------------|--------------|-------------|---------------|----------|--------------------------|
| 166 | M24308/4-435K | M2000/4-435K | Standard | 9 | ✓ | ✘ | M24308/4-435K |
| 167 | M24308/4-436K | M2000/4-436K | Standard | 15 | ✓ | ✘ | M24308/4-436K |
| 168 | M24308/4-437K | M2000/4-437K | Standard | 25 | ✓ | ✘ | M24308/4-437K |
| 169 | M24308/4-438K | M2000/4-438K | Standard | 37 | ✓ | ✘ | M24308/4-438K |
| 170 | M24308/4-439K | M2000/4-439K | Standard | 50 | ✓ | ✘ | M24308/4-439K |
| 171 | M24308/4-446K | M2000/4-446K | Standard | 9 | ✓ | ✓ | M24308/4-435K |
| 172 | M24308/4-447K | M2000/4-447K | Standard | 15 | ✓ | ✓ | M24308/4-436K |
| 173 | M24308/4-448K | M2000/4-448K | Standard | 25 | ✓ | ✓ | M24308/4-437K |
| 174 | M24308/4-449K | M2000/4-449K | Standard | 37 | ✓ | ✓ | M24308/4-438K |
| 175 | M24308/4-450K | M2000/4-450K | Standard | 50 | ✓ | ✓ | M24308/4-439K |
| 176 | M24308/4-457K | M2000/4-457K | Standard | 9 | ✘ | ✘ | M24308/4-435K |
| 177 | M24308/4-458K | M2000/4-458K | Standard | 15 | ✘ | ✘ | M24308/4-436K |
| 178 | M24308/4-459K | M2000/4-459K | Standard | 25 | ✘ | ✘ | M24308/4-437K |
| 179 | M24308/4-460K | M2000/4-460K | Standard | 37 | ✘ | ✘ | M24308/4-438K |
| 180 | M24308/4-461K | M2000/4-461K | Standard | 50 | ✘ | ✘ | M24308/4-439K |
| 181 | M24308/4-440K | M2000/4-440K | High Density | 15 | ✓ | ✘ | M24308/4-440K |
| 182 | M24308/4-441K | M2000/4-441K | High Density | 26 | ✓ | ✘ | M24308/4-441K |
| 183 | M24308/4-442K | M2000/4-442K | High Density | 44 | ✓ | ✘ | M24308/4-442K |
| 184 | M24308/4-443K | M2000/4-443K | High Density | 62 | ✓ | ✘ | M24308/4-443K |
| 185 | M24308/4-444K | M2000/4-444K | High Density | 78 | ✓ | ✘ | M24308/4-444K |
| 186 | M24308/4-445K | M2000/4-445K | High Density | 104 | ✓ | ✘ | M24308/4-445K |
| 187 | M24308/4-451K | M2000/4-451K | High Density | 15 | ✓ | ✓ | M24308/4-440K |
| 188 | M24308/4-452K | M2000/4-452K | High Density | 26 | ✓ | ✓ | M24308/4-441K |
| 189 | M24308/4-453K | M2000/4-453K | High Density | 44 | ✓ | ✓ | M24308/4-442K |
| 190 | M24308/4-454K | M2000/4-454K | High Density | 62 | ✓ | ✓ | M24308/4-443K |
| 191 | M24308/4-455K | M2000/4-455K | High Density | 78 | ✓ | ✓ | M24308/4-444K |
| 192 | M24308/4-456K | M2000/4-456K | High Density | 104 | ✓ | ✓ | M24308/4-445K |
| 193 | M24308/4-462K | M2000/4-462K | High Density | 15 | ✘ | ✘ | M24308/4-440K |
| 194 | M24308/4-463K | M2000/4-463K | High Density | 26 | ✘ | ✘ | M24308/4-441K |
| 195 | M24308/4-464K | M2000/4-464K | High Density | 44 | ✘ | ✘ | M24308/4-442K |
| 196 | M24308/4-465K | M2000/4-465K | High Density | 62 | ✘ | ✘ | M24308/4-443K |
| 197 | M24308/4-466K | M2000/4-466K | High Density | 78 | ✘ | ✘ | M24308/4-444K |
| 198 | M24308/4-467K | M2000/4-467K | High Density | 104 | ✘ | ✘ | M24308/4-445K |

✓ – Included with connector

✘ – Not included with connector

| Sr. No. | Military Designation | Manufacturers Designation | Type | No. of Pins | Crimp Contact | I R Tool | Marking On The Connector |
|---------|----------------------|---------------------------|--------------|-------------|---------------|----------|--------------------------|
| 199 | M24308/4-368 | M2000/4-368 | Standard | 9 | ✓ | ✗ | M24308/4-368 |
| 200 | M24308/4-369 | M2000/4-369 | Standard | 15 | ✓ | ✗ | M24308/4-369 |
| 201 | M24308/4-370 | M2000/4-370 | Standard | 25 | ✓ | ✗ | M24308/4-370 |
| 202 | M24308/4-371 | M2000/4-371 | Standard | 37 | ✓ | ✗ | M24308/4-371 |
| 203 | M24308/4-372 | M2000/4-372 | Standard | 50 | ✓ | ✗ | M24308/4-372 |
| 204 | M24308/4-379 | M2000/4-379 | Standard | 9 | ✓ | ✓ | M24308/4-368 |
| 205 | M24308/4-380 | M2000/4-380 | Standard | 15 | ✓ | ✓ | M24308/4-369 |
| 206 | M24308/4-381 | M2000/4-381 | Standard | 25 | ✓ | ✓ | M24308/4-370 |
| 207 | M24308/4-382 | M2000/4-382 | Standard | 37 | ✓ | ✓ | M24308/4-371 |
| 208 | M24308/4-383 | M2000/4-383 | Standard | 50 | ✓ | ✓ | M24308/4-372 |
| 209 | M24308/4-390 | M2000/4-390 | Standard | 9 | ✗ | ✗ | M24308/4-368 |
| 210 | M24308/4-391 | M2000/4-391 | Standard | 15 | ✗ | ✗ | M24308/4-369 |
| 211 | M24308/4-392 | M2000/4-392 | Standard | 25 | ✗ | ✗ | M24308/4-370 |
| 212 | M24308/4-393 | M2000/4-393 | Standard | 37 | ✗ | ✗ | M24308/4-371 |
| 213 | M24308/4-394 | M2000/4-394 | Standard | 50 | ✗ | ✗ | M24308/4-372 |
| 214 | M24308/4-373 | M2000/4-373 | High Density | 15 | ✓ | ✗ | M24308/4-373 |
| 215 | M24308/4-374 | M2000/4-374 | High Density | 26 | ✓ | ✗ | M24308/4-374 |
| 216 | M24308/4-375 | M2000/4-375 | High Density | 44 | ✓ | ✗ | M24308/4-375 |
| 217 | M24308/4-376 | M2000/4-376 | High Density | 62 | ✓ | ✗ | M24308/4-376 |
| 218 | M24308/4-377 | M2000/4-377 | High Density | 78 | ✓ | ✗ | M24308/4-377 |
| 219 | M24308/4-378 | M2000/4-378 | High Density | 104 | ✓ | ✗ | M24308/4-378 |
| 220 | M24308/4-384 | M2000/4-384 | High Density | 15 | ✓ | ✓ | M24308/4-373 |
| 221 | M24308/4-385 | M2000/4-385 | High Density | 26 | ✓ | ✓ | M24308/4-374 |
| 222 | M24308/4-386 | M2000/4-386 | High Density | 44 | ✓ | ✓ | M24308/4-375 |
| 223 | M24308/4-387 | M2000/4-387 | High Density | 62 | ✓ | ✓ | M24308/4-376 |
| 224 | M24308/4-388 | M2000/4-388 | High Density | 78 | ✓ | ✓ | M24308/4-377 |
| 225 | M24308/4-389 | M2000/4-389 | High Density | 104 | ✓ | ✓ | M24308/4-378 |
| 226 | M24308/4-395 | M2000/4-395 | High Density | 15 | ✗ | ✗ | M24308/4-373 |
| 227 | M24308/4-396 | M2000/4-396 | High Density | 26 | ✗ | ✗ | M24308/4-374 |
| 228 | M24308/4-397 | M2000/4-397 | High Density | 44 | ✗ | ✗ | M24308/4-375 |
| 229 | M24308/4-398 | M2000/4-398 | High Density | 62 | ✗ | ✗ | M24308/4-376 |
| 230 | M24308/4-399 | M2000/4-399 | High Density | 78 | ✗ | ✗ | M24308/4-377 |
| 231 | M24308/4-400 | M2000/4-400 | High Density | 104 | ✗ | ✗ | M24308/4-378 |

✓ – Included with connector

✗ – Not included with connector



| Sr. No. | Military Designation | Manufacturers Designation | Type | No. of Pins | Crimp Contact | I R Tool | Marking On The Connector |
|---------|----------------------|---------------------------|--------------|-------------|---------------|----------|--------------------------|
| 232 | M24308/4-401 | M2000/4-401 | Standard | 9 | ✓ | ✗ | M24308/4-401 |
| 233 | M24308/4-402 | M2000/4-402 | Standard | 15 | ✓ | ✗ | M24308/4-402 |
| 234 | M24308/4-403 | M2000/4-403 | Standard | 25 | ✓ | ✗ | M24308/4-403 |
| 235 | M24308/4-404 | M2000/4-404 | Standard | 37 | ✓ | ✗ | M24308/4-404 |
| 236 | M24308/4-405 | M2000/4-405 | Standard | 50 | ✓ | ✗ | M24308/4-405 |
| 237 | M24308/4-412 | M2000/4-412 | Standard | 9 | ✓ | ✓ | M24308/4-401 |
| 238 | M24308/4-413 | M2000/4-413 | Standard | 15 | ✓ | ✓ | M24308/4-402 |
| 239 | M24308/4-414 | M2000/4-414 | Standard | 25 | ✓ | ✓ | M24308/4-403 |
| 240 | M24308/4-415 | M2000/4-415 | Standard | 37 | ✓ | ✓ | M24308/4-404 |
| 241 | M24308/4-416 | M2000/4-416 | Standard | 50 | ✓ | ✓ | M24308/4-405 |
| 242 | M24308/4-423 | M2000/4-423 | Standard | 9 | ✗ | ✗ | M24308/4-401 |
| 243 | M24308/4-424 | M2000/4-424 | Standard | 15 | ✗ | ✗ | M24308/4-402 |
| 244 | M24308/4-425 | M2000/4-425 | Standard | 25 | ✗ | ✗ | M24308/4-403 |
| 245 | M24308/4-426 | M2000/4-426 | Standard | 37 | ✗ | ✗ | M24308/4-404 |
| 246 | M24308/4-427 | M2000/4-427 | Standard | 50 | ✗ | ✗ | M24308/4-405 |
| 247 | M24308/4-406 | M2000/4-406 | High Density | 15 | ✓ | ✗ | M24308/4-406 |
| 248 | M24308/4-407 | M2000/4-407 | High Density | 26 | ✓ | ✗ | M24308/4-407 |
| 249 | M24308/4-408 | M2000/4-408 | High Density | 44 | ✓ | ✗ | M24308/4-408 |
| 250 | M24308/4-409 | M2000/4-409 | High Density | 62 | ✓ | ✗ | M24308/4-409 |
| 251 | M24308/4-410 | M2000/4-410 | High Density | 78 | ✓ | ✗ | M24308/4-410 |
| 252 | M24308/4-411 | M2000/4-411 | High Density | 104 | ✓ | ✗ | M24308/4-411 |
| 253 | M24308/4-417 | M2000/4-417 | High Density | 15 | ✓ | ✓ | M24308/4-406 |
| 254 | M24308/4-418 | M2000/4-418 | High Density | 26 | ✓ | ✓ | M24308/4-407 |
| 255 | M24308/4-419 | M2000/4-419 | High Density | 44 | ✓ | ✓ | M24308/4-408 |
| 256 | M24308/4-420 | M2000/4-420 | High Density | 62 | ✓ | ✓ | M24308/4-409 |
| 257 | M24308/4-421 | M2000/4-421 | High Density | 78 | ✓ | ✓ | M24308/4-410 |
| 258 | M24308/4-422 | M2000/4-422 | High Density | 104 | ✓ | ✓ | M24308/4-411 |
| 259 | M24308/4-428 | M2000/4-428 | High Density | 15 | ✗ | ✗ | M24308/4-406 |
| 260 | M24308/4-429 | M2000/4-429 | High Density | 26 | ✗ | ✗ | M24308/4-407 |
| 261 | M24308/4-430 | M2000/4-430 | High Density | 44 | ✗ | ✗ | M24308/4-408 |
| 262 | M24308/4-431 | M2000/4-431 | High Density | 62 | ✗ | ✗ | M24308/4-409 |
| 263 | M24308/4-432 | M2000/4-432 | High Density | 78 | ✗ | ✗ | M24308/4-410 |
| 264 | M24308/4-433 | M2000/4-433 | High Density | 104 | ✗ | ✗ | M24308/4-411 |

✓ – Included with connector
✗ – Not included with connector

| Sr. No. | Military Designation | Manufacturers Designation | Type | No. of Pins | Crimp Contact | I R Tool | Marking On The Connector |
|---------|----------------------|---------------------------|--------------|-------------|---------------|----------|--------------------------|
| 1 | M24308/8-302F | M2000/8-302F | Standard | 9 | ✓ | ✗ | M24308/8-302F |
| 2 | M24308/8-303F | M2000/8-303F | Standard | 15 | ✓ | ✗ | M24308/8-303F |
| 3 | M24308/8-304F | M2000/8-304F | Standard | 25 | ✓ | ✗ | M24308/8-304F |
| 4 | M24308/8-305F | M2000/8-305F | Standard | 37 | ✓ | ✗ | M24308/8-305F |
| 5 | M24308/8-306F | M2000/8-306F | Standard | 50 | ✓ | ✗ | M24308/8-306F |
| 6 | M24308/8-313F | M2000/8-313F | Standard | 9 | ✓ | ✓ | M24308/8-302F |
| 7 | M24308/8-314F | M2000/8-314F | Standard | 15 | ✓ | ✓ | M24308/8-303F |
| 8 | M24308/8-315F | M2000/8-315F | Standard | 25 | ✓ | ✓ | M24308/8-304F |
| 9 | M24308/8-316F | M2000/8-316F | Standard | 37 | ✓ | ✓ | M24308/8-305F |
| 10 | M24308/8-317F | M2000/8-317F | Standard | 50 | ✓ | ✓ | M24308/8-306F |
| 11 | M24308/8-324F | M2000/8-324F | Standard | 9 | ✗ | ✗ | M24308/8-302F |
| 12 | M24308/8-325F | M2000/8-325F | Standard | 15 | ✗ | ✗ | M24308/8-303F |
| 13 | M24308/8-326F | M2000/8-326F | Standard | 25 | ✗ | ✗ | M24308/8-304F |
| 14 | M24308/8-327F | M2000/8-327F | Standard | 37 | ✗ | ✗ | M24308/8-305F |
| 15 | M24308/8-328F | M2000/8-328F | Standard | 50 | ✗ | ✗ | M24308/8-306F |
| 16 | M24308/8-307F | M2000/8-307F | High Density | 15 | ✓ | ✗ | M24308/8-307F |
| 17 | M24308/8-308F | M2000/8-308F | High Density | 26 | ✓ | ✗ | M24308/8-308F |
| 18 | M24308/8-309F | M2000/8-309F | High Density | 44 | ✓ | ✗ | M24308/8-309F |
| 19 | M24308/8-310F | M2000/8-310F | High Density | 62 | ✓ | ✗ | M24308/8-310F |
| 20 | M24308/8-311F | M2000/8-311F | High Density | 78 | ✓ | ✗ | M24308/8-311F |
| 21 | M24308/8-312F | M2000/8-312F | High Density | 104 | ✓ | ✗ | M24308/8-312F |
| 22 | M24308/8-318F | M2000/8-318F | High Density | 15 | ✓ | ✓ | M24308/8-307F |
| 23 | M24308/8-319F | M2000/8-319F | High Density | 26 | ✓ | ✓ | M24308/8-308F |
| 24 | M24308/8-320F | M2000/8-320F | High Density | 44 | ✓ | ✓ | M24308/8-309F |
| 25 | M24308/8-321F | M2000/8-321F | High Density | 62 | ✓ | ✓ | M24308/8-310F |
| 26 | M24308/8-322F | M2000/8-322F | High Density | 78 | ✓ | ✓ | M24308/8-311F |
| 27 | M24308/8-323F | M2000/8-323F | High Density | 104 | ✓ | ✓ | M24308/8-312F |
| 28 | M24308/8-329F | M2000/8-329F | High Density | 15 | ✗ | ✗ | M24308/8-307F |
| 29 | M24308/8-330F | M2000/8-330F | High Density | 26 | ✗ | ✗ | M24308/8-308F |
| 30 | M24308/8-331F | M2000/8-331F | High Density | 44 | ✗ | ✗ | M24308/8-309F |
| 31 | M24308/8-332F | M2000/8-332F | High Density | 62 | ✗ | ✗ | M24308/8-310F |
| 32 | M24308/8-333F | M2000/8-333F | High Density | 78 | ✗ | ✗ | M24308/8-311F |
| 33 | M24308/8-334F | M2000/8-334F | High Density | 104 | ✗ | ✗ | M24308/8-312F |

✓ – Included with connector

✗ – Not included with connector

| Sr. No. | Military Designation | Manufacturers Designation | Type | No. of Pins | Crimp Contact | I R Tool | Marking On The Connector |
|---------|----------------------|---------------------------|--------------|-------------|---------------|----------|--------------------------|
| 34 | M24308/8-435F | M2000/8-435F | Standard | 9 | ✓ | ✗ | M24308/8-435F |
| 35 | M24308/8-436F | M2000/8-436F | Standard | 15 | ✓ | ✗ | M24308/8-436F |
| 36 | M24308/8-437F | M2000/8-437F | Standard | 25 | ✓ | ✗ | M24308/8-437F |
| 37 | M24308/8-438F | M2000/8-438F | Standard | 37 | ✓ | ✗ | M24308/8-438F |
| 38 | M24308/8-439F | M2000/8-439F | Standard | 50 | ✓ | ✗ | M24308/8-439F |
| 39 | M24308/8-446F | M2000/8-446F | Standard | 9 | ✓ | ✓ | M24308/8-435F |
| 40 | M24308/8-447F | M2000/8-447F | Standard | 15 | ✓ | ✓ | M24308/8-436F |
| 41 | M24308/8-448F | M2000/8-448F | Standard | 25 | ✓ | ✓ | M24308/8-437F |
| 42 | M24308/8-449F | M2000/8-449F | Standard | 37 | ✓ | ✓ | M24308/8-438F |
| 43 | M24308/8-450F | M2000/8-450F | Standard | 50 | ✓ | ✓ | M24308/8-439F |
| 44 | M24308/8-457F | M2000/8-457F | Standard | 9 | ✗ | ✗ | M24308/8-435F |
| 45 | M24308/8-458F | M2000/8-458F | Standard | 15 | ✗ | ✗ | M24308/8-436F |
| 46 | M24308/8-459F | M2000/8-459F | Standard | 25 | ✗ | ✗ | M24308/8-437F |
| 47 | M24308/8-460F | M2000/8-460F | Standard | 37 | ✗ | ✗ | M24308/8-438F |
| 48 | M24308/8-461F | M2000/8-461F | Standard | 50 | ✗ | ✗ | M24308/8-439F |
| 49 | M24308/8-440F | M2000/8-440F | High Density | 15 | ✓ | ✗ | M24308/8-440F |
| 50 | M24308/8-441F | M2000/8-441F | High Density | 26 | ✓ | ✗ | M24308/8-441F |
| 51 | M24308/8-442F | M2000/8-442F | High Density | 44 | ✓ | ✗ | M24308/8-442F |
| 52 | M24308/8-443F | M2000/8-443F | High Density | 62 | ✓ | ✗ | M24308/8-443F |
| 53 | M24308/8-444F | M2000/8-444F | High Density | 78 | ✓ | ✗ | M24308/8-444F |
| 54 | M24308/8-445F | M2000/8-445F | High Density | 104 | ✓ | ✗ | M24308/8-445F |
| 55 | M24308/8-451F | M2000/8-451F | High Density | 15 | ✓ | ✓ | M24308/8-440F |
| 56 | M24308/8-452F | M2000/8-452F | High Density | 26 | ✓ | ✓ | M24308/8-441F |
| 57 | M24308/8-453F | M2000/8-453F | High Density | 44 | ✓ | ✓ | M24308/8-442F |
| 58 | M24308/8-454F | M2000/8-454F | High Density | 62 | ✓ | ✓ | M24308/8-443F |
| 59 | M24308/8-455F | M2000/8-455F | High Density | 78 | ✓ | ✓ | M24308/8-444F |
| 60 | M24308/8-456F | M2000/8-456F | High Density | 104 | ✓ | ✓ | M24308/8-445F |
| 61 | M24308/8-462F | M2000/8-462F | High Density | 15 | ✗ | ✗ | M24308/8-440F |
| 62 | M24308/8-463F | M2000/8-463F | High Density | 26 | ✗ | ✗ | M24308/8-441F |
| 63 | M24308/8-464F | M2000/8-464F | High Density | 44 | ✗ | ✗ | M24308/8-442F |
| 64 | M24308/8-465F | M2000/8-465F | High Density | 62 | ✗ | ✗ | M24308/8-443F |
| 65 | M24308/8-466F | M2000/8-466F | High Density | 78 | ✗ | ✗ | M24308/8-444F |
| 66 | M24308/8-467F | M2000/8-467F | High Density | 104 | ✗ | ✗ | M24308/8-445F |

✓ – Included with connector

✗ – Not included with connector



| Sr. No. | Military Designation | Manufacturers Designation | Type | No. of Pins | Crimp Contact | I R Tool | Marking On The Connector |
|---------|----------------------|---------------------------|--------------|-------------|---------------|----------|--------------------------|
| 67 | M24308/8-302Z | M2000/8-302Z | Standard | 9 | ✓ | ✗ | M24308/8-302Z |
| 68 | M24308/8-303Z | M2000/8-303Z | Standard | 15 | ✓ | ✗ | M24308/8-303Z |
| 69 | M24308/8-304Z | M2000/8-304Z | Standard | 25 | ✓ | ✗ | M24308/8-304Z |
| 70 | M24308/8-305Z | M2000/8-305Z | Standard | 37 | ✓ | ✗ | M24308/8-305Z |
| 71 | M24308/8-306Z | M2000/8-306Z | Standard | 50 | ✓ | ✗ | M24308/8-306Z |
| 72 | M24308/8-313Z | M2000/8-313Z | Standard | 9 | ✓ | ✓ | M24308/8-302Z |
| 73 | M24308/8-314Z | M2000/8-314Z | Standard | 15 | ✓ | ✓ | M24308/8-303Z |
| 74 | M24308/8-315Z | M2000/8-315Z | Standard | 25 | ✓ | ✓ | M24308/8-304Z |
| 75 | M24308/8-316Z | M2000/8-316Z | Standard | 37 | ✓ | ✓ | M24308/8-305Z |
| 76 | M24308/8-317Z | M2000/8-317Z | Standard | 50 | ✓ | ✓ | M24308/8-306Z |
| 77 | M24308/8-324Z | M2000/8-324Z | Standard | 9 | ✗ | ✗ | M24308/8-302Z |
| 78 | M24308/8-325Z | M2000/8-325Z | Standard | 15 | ✗ | ✗ | M24308/8-303Z |
| 79 | M24308/8-326Z | M2000/8-326Z | Standard | 25 | ✗ | ✗ | M24308/8-304Z |
| 80 | M24308/8-327Z | M2000/8-327Z | Standard | 37 | ✗ | ✗ | M24308/8-305Z |
| 81 | M24308/8-328Z | M2000/8-328Z | Standard | 50 | ✗ | ✗ | M24308/8-306Z |
| 82 | M24308/8-307Z | M2000/8-307Z | High Density | 15 | ✓ | ✗ | M24308/8-307Z |
| 83 | M24308/8-308Z | M2000/8-308Z | High Density | 26 | ✓ | ✗ | M24308/8-308Z |
| 84 | M24308/8-309Z | M2000/8-309Z | High Density | 44 | ✓ | ✗ | M24308/8-309Z |
| 85 | M24308/8-310Z | M2000/8-310Z | High Density | 62 | ✓ | ✗ | M24308/8-310Z |
| 86 | M24308/8-311Z | M2000/8-311Z | High Density | 78 | ✓ | ✗ | M24308/8-311Z |
| 87 | M24308/8-312Z | M2000/8-312Z | High Density | 104 | ✓ | ✗ | M24308/8-312Z |
| 88 | M24308/8-318Z | M2000/8-318Z | High Density | 15 | ✓ | ✓ | M24308/8-307Z |
| 89 | M24308/8-319Z | M2000/8-319Z | High Density | 26 | ✓ | ✓ | M24308/8-308Z |
| 90 | M24308/8-320Z | M2000/8-320Z | High Density | 44 | ✓ | ✓ | M24308/8-309Z |
| 91 | M24308/8-321Z | M2000/8-321Z | High Density | 62 | ✓ | ✓ | M24308/8-310Z |
| 92 | M24308/8-322Z | M2000/8-322Z | High Density | 78 | ✓ | ✓ | M24308/8-311Z |
| 93 | M24308/8-323Z | M2000/8-323Z | High Density | 104 | ✓ | ✓ | M24308/8-312Z |
| 94 | M24308/8-329Z | M2000/8-329Z | High Density | 15 | ✗ | ✗ | M24308/8-307Z |
| 95 | M24308/8-330Z | M2000/8-330Z | High Density | 26 | ✗ | ✗ | M24308/8-308Z |
| 96 | M24308/8-331Z | M2000/8-331Z | High Density | 44 | ✗ | ✗ | M24308/8-309Z |
| 97 | M24308/8-332Z | M2000/8-332Z | High Density | 62 | ✗ | ✗ | M24308/8-310Z |
| 98 | M24308/8-333Z | M2000/8-333Z | High Density | 78 | ✗ | ✗ | M24308/8-311Z |
| 99 | M24308/8-334Z | M2000/8-334Z | High Density | 104 | ✗ | ✗ | M24308/8-312Z |

✓ – Included with connector
✗ – Not included with connector



| Sr. No. | Military Designation | Manufacturers Designation | Type | No. of Pins | Crimp Contact | I R Tool | Marking On The Connector |
|---------|----------------------|---------------------------|--------------|-------------|---------------|----------|--------------------------|
| 100 | M24308/8-435Z | M2000/8-435Z | Standard | 9 | ✓ | ✗ | M24308/8-435Z |
| 101 | M24308/8-436Z | M2000/8-436Z | Standard | 15 | ✓ | ✗ | M24308/8-436Z |
| 102 | M24308/8-437Z | M2000/8-437Z | Standard | 25 | ✓ | ✗ | M24308/8-437Z |
| 103 | M24308/8-438Z | M2000/8-438Z | Standard | 37 | ✓ | ✗ | M24308/8-438Z |
| 104 | M24308/8-439Z | M2000/8-439Z | Standard | 50 | ✓ | ✗ | M24308/8-439Z |
| 105 | M24308/8-446Z | M2000/8-446Z | Standard | 9 | ✓ | ✓ | M24308/8-435Z |
| 106 | M24308/8-447Z | M2000/8-447Z | Standard | 15 | ✓ | ✓ | M24308/8-436Z |
| 107 | M24308/8-448Z | M2000/8-448Z | Standard | 25 | ✓ | ✓ | M24308/8-437Z |
| 108 | M24308/8-449Z | M2000/8-449Z | Standard | 37 | ✓ | ✓ | M24308/8-438Z |
| 109 | M24308/8-450Z | M2000/8-450Z | Standard | 50 | ✓ | ✓ | M24308/8-439Z |
| 110 | M24308/8-457Z | M2000/8-457Z | Standard | 9 | ✗ | ✗ | M24308/8-435Z |
| 111 | M24308/8-458Z | M2000/8-458Z | Standard | 15 | ✗ | ✗ | M24308/8-436Z |
| 112 | M24308/8-459Z | M2000/8-459Z | Standard | 25 | ✗ | ✗ | M24308/8-437Z |
| 113 | M24308/8-460Z | M2000/8-460Z | Standard | 37 | ✗ | ✗ | M24308/8-438Z |
| 114 | M24308/8-461Z | M2000/8-461Z | Standard | 50 | ✗ | ✗ | M24308/8-439Z |
| 115 | M24308/8-440Z | M2000/8-440Z | High Density | 15 | ✓ | ✗ | M24308/8-440Z |
| 116 | M24308/8-441Z | M2000/8-441Z | High Density | 26 | ✓ | ✗ | M24308/8-441Z |
| 117 | M24308/8-442Z | M2000/8-442Z | High Density | 44 | ✓ | ✗ | M24308/8-442Z |
| 118 | M24308/8-443Z | M2000/8-443Z | High Density | 62 | ✓ | ✗ | M24308/8-443Z |
| 119 | M24308/8-444Z | M2000/8-444Z | High Density | 78 | ✓ | ✗ | M24308/8-444Z |
| 120 | M24308/8-445Z | M2000/8-445Z | High Density | 104 | ✓ | ✗ | M24308/8-445Z |
| 121 | M24308/8-451Z | M2000/8-451Z | High Density | 15 | ✓ | ✓ | M24308/8-440Z |
| 122 | M24308/8-452Z | M2000/8-452Z | High Density | 26 | ✓ | ✓ | M24308/8-441Z |
| 123 | M24308/8-453Z | M2000/8-453Z | High Density | 44 | ✓ | ✓ | M24308/8-442Z |
| 124 | M24308/8-454Z | M2000/8-454Z | High Density | 62 | ✓ | ✓ | M24308/8-443Z |
| 125 | M24308/8-455Z | M2000/8-455Z | High Density | 78 | ✓ | ✓ | M24308/8-444Z |
| 126 | M24308/8-456Z | M2000/8-456Z | High Density | 104 | ✓ | ✓ | M24308/8-445Z |
| 127 | M24308/8-462Z | M2000/8-462Z | High Density | 15 | ✗ | ✗ | M24308/8-440Z |
| 128 | M24308/8-463Z | M2000/8-463Z | High Density | 26 | ✗ | ✗ | M24308/8-441Z |
| 129 | M24308/8-464Z | M2000/8-464Z | High Density | 44 | ✗ | ✗ | M24308/8-442Z |
| 130 | M24308/8-465Z | M2000/8-465Z | High Density | 62 | ✗ | ✗ | M24308/8-443Z |
| 131 | M24308/8-466Z | M2000/8-466Z | High Density | 78 | ✗ | ✗ | M24308/8-444Z |
| 132 | M24308/8-467Z | M2000/8-467Z | High Density | 104 | ✗ | ✗ | M24308/8-445Z |

✓ – Included with connector
✗ – Not included with connector

| Sr. No. | Military Designation | Manufacturers Designation | Type | No. of Pins | Crimp Contact | I R Tool | Marking On The Connector |
|---------|----------------------|---------------------------|--------------|-------------|---------------|----------|--------------------------|
| 133 | M24308/8-368 | M2000/8-368 | Standard | 9 | ✓ | ✗ | M24308/8-368 |
| 134 | M24308/8-369 | M2000/8-369 | Standard | 15 | ✓ | ✗ | M24308/8-369 |
| 135 | M24308/8-370 | M2000/8-370 | Standard | 25 | ✓ | ✗ | M24308/8-370 |
| 136 | M24308/8-371 | M2000/8-371 | Standard | 37 | ✓ | ✗ | M24308/8-371 |
| 137 | M24308/8-372 | M2000/8-372 | Standard | 50 | ✓ | ✗ | M24308/8-372 |
| 138 | M24308/8-379 | M2000/8-379 | Standard | 9 | ✓ | ✓ | M24308/8-368 |
| 139 | M24308/8-380 | M2000/8-380 | Standard | 15 | ✓ | ✓ | M24308/8-369 |
| 140 | M24308/8-381 | M2000/8-381 | Standard | 25 | ✓ | ✓ | M24308/8-370 |
| 141 | M24308/8-382 | M2000/8-382 | Standard | 37 | ✓ | ✓ | M24308/8-371 |
| 142 | M24308/8-383 | M2000/8-383 | Standard | 50 | ✓ | ✓ | M24308/8-372 |
| 143 | M24308/8-390 | M2000/8-390 | Standard | 9 | ✗ | ✗ | M24308/8-368 |
| 144 | M24308/8-391 | M2000/8-391 | Standard | 15 | ✗ | ✗ | M24308/8-369 |
| 145 | M24308/8-392 | M2000/8-392 | Standard | 25 | ✗ | ✗ | M24308/8-370 |
| 146 | M24308/8-393 | M2000/8-393 | Standard | 37 | ✗ | ✗ | M24308/8-371 |
| 147 | M24308/8-394 | M2000/8-394 | Standard | 50 | ✗ | ✗ | M24308/8-372 |
| 148 | M24308/8-373 | M2000/8-373 | High Density | 15 | ✓ | ✗ | M24308/8-373 |
| 149 | M24308/8-374 | M2000/8-374 | High Density | 26 | ✓ | ✗ | M24308/8-374 |
| 150 | M24308/8-375 | M2000/8-375 | High Density | 44 | ✓ | ✗ | M24308/8-375 |
| 151 | M24308/8-376 | M2000/8-376 | High Density | 62 | ✓ | ✗ | M24308/8-376 |
| 152 | M24308/8-377 | M2000/8-377 | High Density | 78 | ✓ | ✗ | M24308/8-377 |
| 153 | M24308/8-378 | M2000/8-378 | High Density | 104 | ✓ | ✗ | M24308/8-378 |
| 154 | M24308/8-384 | M2000/8-384 | High Density | 15 | ✓ | ✓ | M24308/8-373 |
| 155 | M24308/8-385 | M2000/8-385 | High Density | 26 | ✓ | ✓ | M24308/8-374 |
| 156 | M24308/8-386 | M2000/8-386 | High Density | 44 | ✓ | ✓ | M24308/8-375 |
| 157 | M24308/8-387 | M2000/8-387 | High Density | 62 | ✓ | ✓ | M24308/8-376 |
| 158 | M24308/8-388 | M2000/8-388 | High Density | 78 | ✓ | ✓ | M24308/8-377 |
| 159 | M24308/8-389 | M2000/8-389 | High Density | 104 | ✓ | ✓ | M24308/8-378 |
| 160 | M24308/8-395 | M2000/8-395 | High Density | 15 | ✗ | ✗ | M24308/8-373 |
| 161 | M24308/8-396 | M2000/8-396 | High Density | 26 | ✗ | ✗ | M24308/8-374 |
| 162 | M24308/8-397 | M2000/8-397 | High Density | 44 | ✗ | ✗ | M24308/8-375 |
| 163 | M24308/8-398 | M2000/8-398 | High Density | 62 | ✗ | ✗ | M24308/8-376 |
| 164 | M24308/8-399 | M2000/8-399 | High Density | 78 | ✗ | ✗ | M24308/8-377 |
| 165 | M24308/8-400 | M2000/8-400 | High Density | 104 | ✗ | ✗ | M24308/8-378 |

✓ – Included with connector

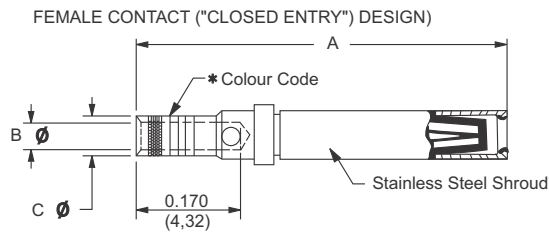
✗ – Not included with connector

| Sr. No. | Military Designation | Manufacturers Designation | Type | No. of Pins | Crimp Contact | I R Tool | Marking On The Connector |
|---------|----------------------|---------------------------|--------------|-------------|---------------|----------|--------------------------|
| 166 | M24308/8-401 | M2000/8-401 | Standard | 9 | ✓ | ✗ | M24308/8-401 |
| 167 | M24308/8-402 | M2000/8-402 | Standard | 15 | ✓ | ✗ | M24308/8-402 |
| 168 | M24308/8-403 | M2000/8-403 | Standard | 25 | ✓ | ✗ | M24308/8-403 |
| 169 | M24308/8-404 | M2000/8-404 | Standard | 37 | ✓ | ✗ | M24308/8-404 |
| 170 | M24308/8-405 | M2000/8-405 | Standard | 50 | ✓ | ✗ | M24308/8-405 |
| 171 | M24308/8-412 | M2000/8-412 | Standard | 9 | ✓ | ✓ | M24308/8-401 |
| 172 | M24308/8-413 | M2000/8-413 | Standard | 15 | ✓ | ✓ | M24308/8-402 |
| 173 | M24308/8-414 | M2000/8-414 | Standard | 25 | ✓ | ✓ | M24308/8-403 |
| 174 | M24308/8-415 | M2000/8-415 | Standard | 37 | ✓ | ✓ | M24308/8-404 |
| 175 | M24308/8-416 | M2000/8-416 | Standard | 50 | ✓ | ✓ | M24308/8-405 |
| 176 | M24308/8-423 | M2000/8-423 | Standard | 9 | ✗ | ✗ | M24308/8-401 |
| 177 | M24308/8-424 | M2000/8-424 | Standard | 15 | ✗ | ✗ | M24308/8-402 |
| 178 | M24308/8-425 | M2000/8-425 | Standard | 25 | ✗ | ✗ | M24308/8-403 |
| 179 | M24308/8-426 | M2000/8-426 | Standard | 37 | ✗ | ✗ | M24308/8-404 |
| 180 | M24308/8-427 | M2000/8-427 | Standard | 50 | ✗ | ✗ | M24308/8-405 |
| 181 | M24308/8-406 | M2000/8-406 | High Density | 15 | ✓ | ✗ | M24308/8-406 |
| 182 | M24308/8-407 | M2000/8-407 | High Density | 26 | ✓ | ✗ | M24308/8-407 |
| 183 | M24308/8-408 | M2000/8-408 | High Density | 44 | ✓ | ✗ | M24308/8-408 |
| 184 | M24308/8-409 | M2000/8-409 | High Density | 62 | ✓ | ✗ | M24308/8-409 |
| 185 | M24308/8-410 | M2000/8-410 | High Density | 78 | ✓ | ✗ | M24308/8-410 |
| 186 | M24308/8-411 | M2000/8-411 | High Density | 104 | ✓ | ✗ | M24308/8-411 |
| 187 | M24308/8-417 | M2000/8-417 | High Density | 15 | ✓ | ✓ | M24308/8-406 |
| 188 | M24308/8-418 | M2000/8-418 | High Density | 26 | ✓ | ✓ | M24308/8-407 |
| 189 | M24308/8-419 | M2000/8-419 | High Density | 44 | ✓ | ✓ | M24308/8-408 |
| 190 | M24308/8-420 | M2000/8-420 | High Density | 62 | ✓ | ✓ | M24308/8-409 |
| 191 | M24308/8-421 | M2000/8-421 | High Density | 78 | ✓ | ✓ | M24308/8-410 |
| 192 | M24308/8-422 | M2000/8-422 | High Density | 104 | ✓ | ✓ | M24308/8-411 |
| 193 | M24308/8-428 | M2000/8-428 | High Density | 15 | ✗ | ✗ | M24308/8-406 |
| 194 | M24308/8-429 | M2000/8-429 | High Density | 26 | ✗ | ✗ | M24308/8-407 |
| 195 | M24308/8-430 | M2000/8-430 | High Density | 44 | ✗ | ✗ | M24308/8-408 |
| 196 | M24308/8-431 | M2000/8-431 | High Density | 62 | ✗ | ✗ | M24308/8-409 |
| 197 | M24308/8-432 | M2000/8-432 | High Density | 78 | ✗ | ✗ | M24308/8-410 |
| 198 | M24308/8-433 | M2000/8-433 | High Density | 104 | ✗ | ✗ | M24308/8-411 |

✓ – Included with connector

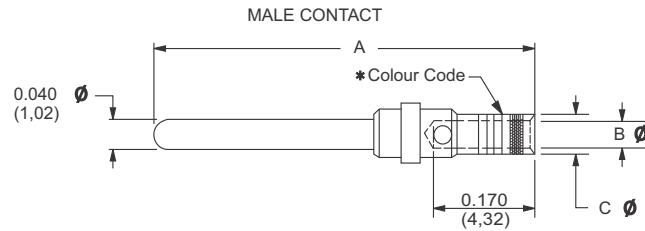
✗ – Not included with connector

CRIMP CONTACTS Closed Crimp Barrel



Material - Copper Alloy.
Plating - Gold flash over nickel or
0.000050 inch (1,25 μ) gold over copper for
military specification contacts.
* Colour Code - ORANGE / BLUE / GREY for military
specification contacts

| PART NO. | WIRE SIZE (AWG (MM ²)) | A | B \emptyset | C \emptyset |
|----------------|---------------------------------------|------------------|-----------------|-----------------|
| M2000-107687 | 20/22/24 (0,5/0,3/0,25) | 0.538 (13,67) | 0.044 (1,12) | 0.066 (1,68) |
| M2000-109979 | 26/28/30 (0,12/0,08/0,5) | 0.538 (13,67) | 0.027 (0,69) | 0.066 (1,68) |
| *M39029/63-368 | 20/22/24 (0,5/0,3/0,25) | 0.538 (13,67) | 0.044 (1,12) | 0.066 (1,68) |



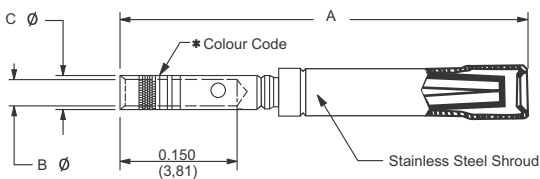
Material - Brass
Plating - Gold flash over nickel or
0.000050 inch (1,25 μ) gold over copper for
military specification contacts.
* Colour Code - ORANGE / BLUE / WHITE for military
specification contacts

| PART NO. | WIRE SIZE (AWG (MM ²)) | A | B \emptyset | C \emptyset |
|----------------|---------------------------------------|------------------|-----------------|-----------------|
| M2000-107688 | 20/22/24 (0,5/0,3/0,25) | 0.550 (13,97) | 0.044 (1,12) | 0.066 (1,68) |
| M2000-109980 | 26/28/30 (0,12/0,08/0,5) | 0.550 (13,97) | 0.027 (0,69) | 0.066 (1,68) |
| *M39029/64-369 | 20/22/24 (0,5/0,3/0,25) | 0.550 (13,97) | 0.044 (1,12) | 0.066 (1,68) |

Crimp contacts can be supplied in kit with connector or ordered separately.

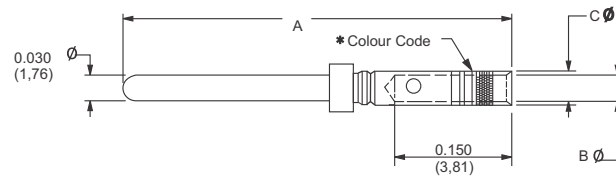
Contact Information For High Density D-Sub

CRIMP CONTACTS Closed Crimp Barrel



Material - Copper Alloy.
Plating - Gold flash over nickel or
0.000050 inch (1,25 μ) gold over copper for
military specification contacts.
* Colour Code - ORANGE/GREEN/YELLOW for military
specification contacts

| PART NO. | WIRE SIZE (AWG (MM ²)) | A | B \emptyset | C \emptyset |
|----------------|--|------------------|-----------------|-----------------|
| M2000-107294 | 22/24/26/28 (0,3/0,25/0,12/0,08/0,05) | 0.518 (13,16) | 0.035 (0,89) | 0.047 (1,19) |
| *M39029/57-354 | 22/24/26/28 (0,3/0,25/0,12/0,08) | 0.518 (13,16) | 0.035 (0,89) | 0.047 (1,19) |



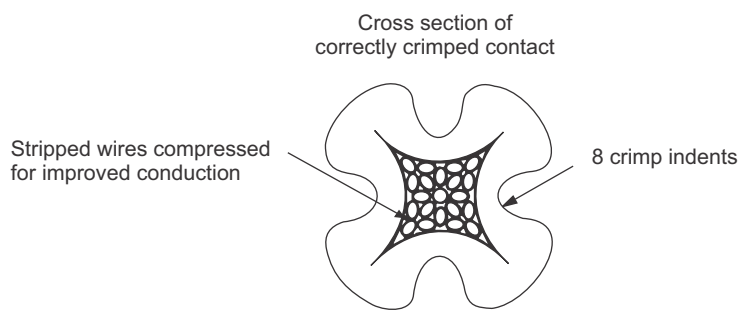
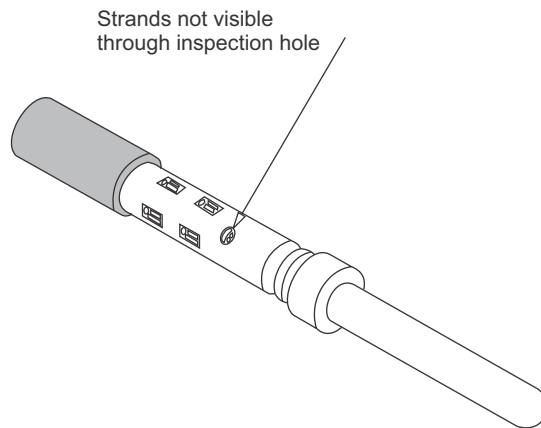
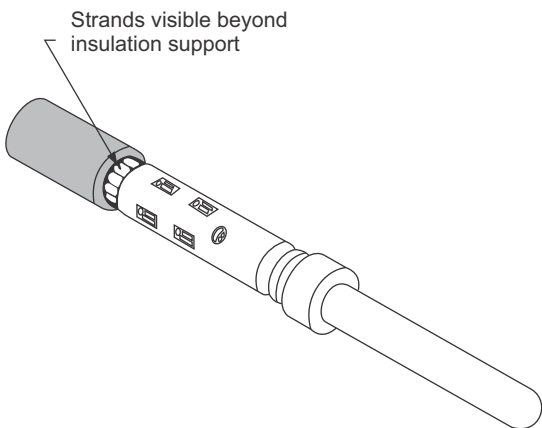
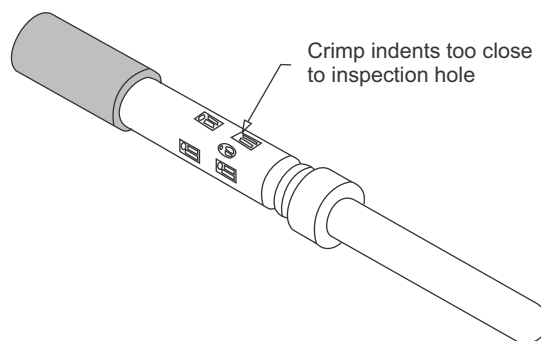
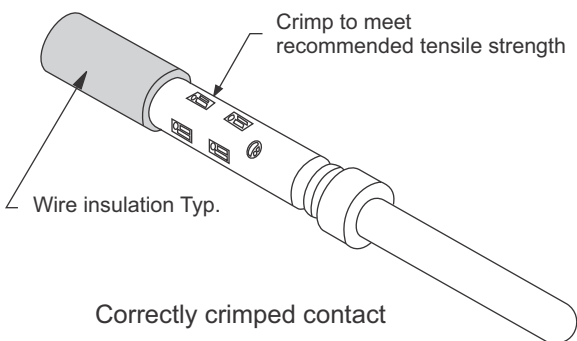
Material - Brass
Plating - Gold flash over nickel or
0.000050 inch (1,25 μ) gold over copper for
military specification contacts.
* Colour Code - ORANGE / BLUE / BLACK for military
specification contacts

| PART NO. | WIRE SIZE (AWG (MM ²)) | A | B \emptyset | C \emptyset |
|----------------|--|------------------|-----------------|-----------------|
| M2000-105794 | 22/24/26/28 (0,3/0,25/0,12/0,08/0,05) | 0.531 (13,49) | 0.035 (0,89) | 0.047 (1,19) |
| *M39029/58-360 | 22/24/26/28 (0,3/0,25/0,12/0,08) | 0.531 (13,49) | 0.035 (0,89) | 0.047 (1,19) |

Crimp contacts can be supplied in kit with connector or ordered separately.

For all tools :

- Strands to be visible through the inspection hole
- Strands not to be visible beyond the insulation support
- Check for peeled gold and bent contact



Amphenol recommended tools for Standard / High Density Series Contact

Miniature step adjustable tool (M22520/2-01) Part No. M2000-CRT



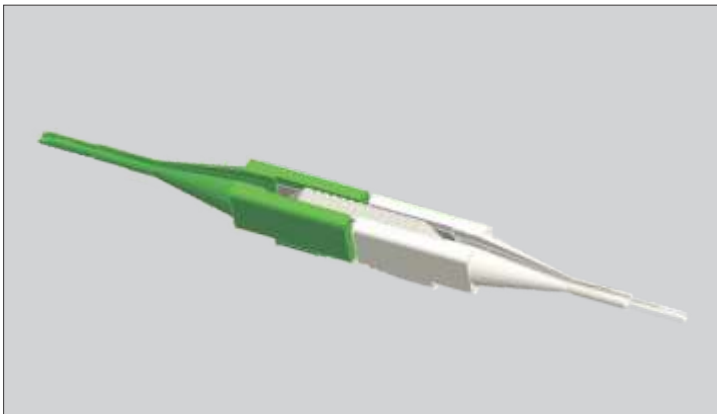
This miniature 8 step adjustable hand crimping tool produces an 8 indent crimp configuration and will crimp wire sizes 18 AWG (1.0mm²) through 32AWG (0.3mm²)

To crimp wire size 18 AWG (1.0mm²), order contact positioner K13-1. To crimp wire size AWG (0.5mm²) through 30 AWG (0.05mm²) order contact positioner

K-13-1. Each positioner is equipped with a data plate which gives the correct crimp-depth setting for each wire size and must be used with M22520/2-01 tool frame for best results when crimping M2000 (M24308) Series contacts.

Insertion/Removal Tool

M81969/39-01 (M2000-107689)



One end of this tool is used to insert contacts into M2000 (M24308) Series connectors. The other end is used to extract contacts. This is accomplished by sliding the extraction tip down the wire into the connector until it bottoms against the contacts. A slight rotation while pushing will release the contacts, which are then extracted by simultaneously pulling on the wire.

A slight rotation while pushing will release the contacts, which are then extracted by simultaneously pulling on the wire.

Miniature step adjustable tool (M22520/2-01) Part No. M2000-CRT

This miniature step adjustable hand crimping tool produces an 8 indent crimp configuration and will crimp wire sizes 20 AWG (0.5mm²) through 32AWG (0.3mm²)



To crimp female contacts, order contact positioner K41. To crimp male contacts, order contact positioner K42. Each positioner is equipped with a data plate which gives the correct crimp-depth setting for each wire size and must be used with M22520/2-01 tool frame for best results when crimping M2000 (M24308) Series contacts.

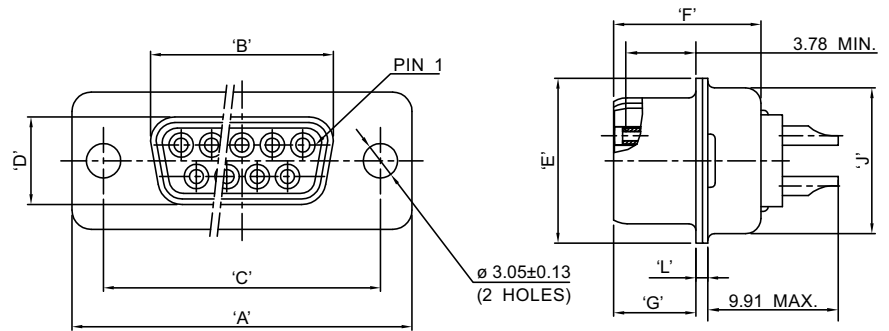
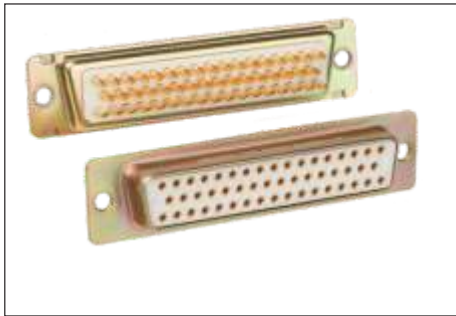
Insertion/Removal Tool (M81969/14-01) (M2000-105786)



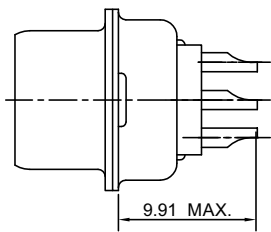
One end of this tool is used to insert contacts into M2000 (M24308) Series connectors. The other end is used to extract contacts. This is accomplished by sliding the extraction tip down the wire into the connector until it bottoms against

the contacts. A slight rotation while pushing will release the contacts, which are then extracted by simultaneously pulling on the wire.

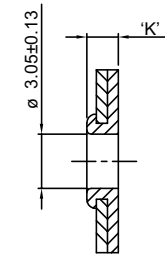
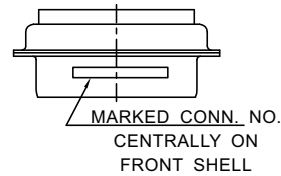
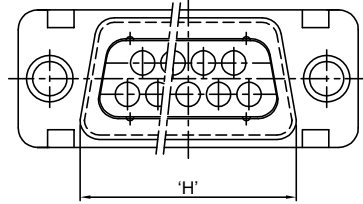
Standard Density Solder Cup Socket Connector



09 TO 37 PIN



50 PIN (3 ROWS)



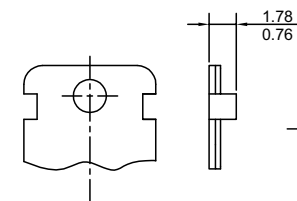
STD-THROUGH HOLE. DETAIL A

Dimension Table

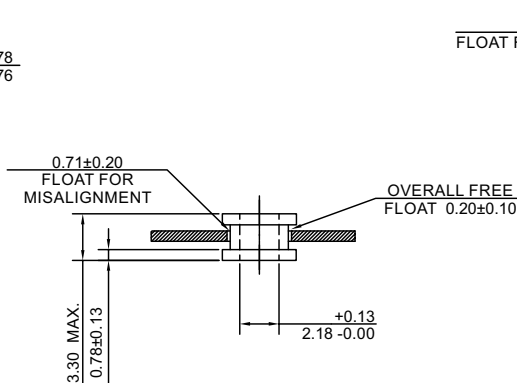
| SHELL SIZE | STANDARD DENSITY NO. OF PINS | 'A' | 'B' | 'C' | 'D' | 'E' | 'F' | 'G' | 'H' | 'J' | 'K' | 'L' |
|------------|------------------------------|----------------|----------------|----------------|----------------|----------------|----------------|--------------|----------------|----------------|--------------|--------------|
| | | | | | | | | | | | | |
| 2 | 15 | 39.52 38.76 | 24.79 24.53 | 33.45 33.20 | 8.03 7.67 | 12.93 12.17 | 11.15 10.64 | 6.30 6.05 | 27.76 27.25 | 10.97 10.46 | 1.52 0.89 | 1.02 0.51 |
| 3 | 25 | 53.42 52.65 | 38.51 38.25 | 47.17 46.91 | 8.03 7.67 | 12.93 12.17 | 11.15 10.64 | 6.30 6.05 | 41.53 41.02 | 10.97 10.46 | 1.52 0.89 | 1.02 0.51 |
| 4 | 37 | 69.70 68.94 | 54.97 54.71 | 63.63 63.37 | 8.03 7.67 | 12.93 12.17 | 11.15 10.64 | 6.30 6.05 | 57.96 57.45 | 10.97 10.46 | 1.52 0.89 | 1.02 0.51 |
| 5 | 50 | 67.31 66.55 | 52.55 52.30 | 61.24 60.99 | 10.87 10.62 | 15.75 14.99 | 11.15 10.64 | 6.30 6.05 | 55.58 55.07 | 13.82 13.31 | 1.52 0.89 | 1.02 0.51 |

NOTE :

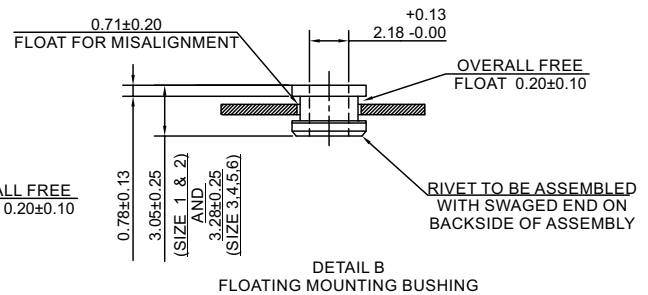
1. DIMENSION ARE 3.94MM MINIMUM (FOR SIZE 3,4,5) AND 4.17MM MINIMUM (FOR SIZE 1,2)
2. CONTACT SHOWS ONLY FOR REFERENCE,



ALTERNATE METHOD OF SECURING SHELL HALVES



DETAIL D
DUAL FLOATING MOUNTING BUSHING



DETAIL B
FLOATING MOUNTING BUSHING

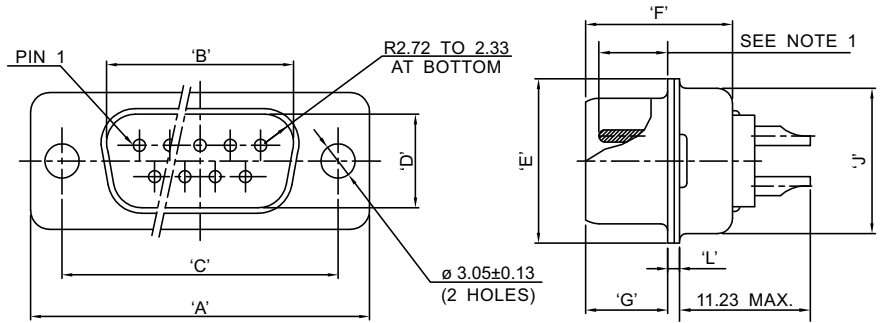
| Sr. No. | Military Designation | Manufacturers Designation | No. of Pins | Shell Details | Marking On The Connector |
|---------|----------------------|---------------------------|-------------|---------------|--------------------------|
| 1 | M24308/1-1F | M2000/1-1F | 9 | A | M24308/1-1F |
| 2 | M24308/1-2F | M2000/1-2F | 15 | A | M24308/1-2F |
| 3 | M24308/1-3F | M2000/1-3F | 25 | A | M24308/1-3F |
| 4 | M24308/1-4F | M2000/1-4F | 37 | A | M24308/1-4F |
| 5 | M24308/1-5F | M2000/1-5F | 50 | A | M24308/1-5F |
| 6 | M24308/1-1Z | M2000/1-1Z | 9 | A | M24308/1-1Z |
| 7 | M24308/1-2Z | M2000/1-2Z | 15 | A | M24308/1-2Z |
| 8 | M24308/1-3Z | M2000/1-3Z | 25 | A | M24308/1-3Z |
| 9 | M24308/1-4Z | M2000/1-4Z | 37 | A | M24308/1-4Z |
| 10 | M24308/1-5Z | M2000/1-5Z | 50 | A | M24308/1-5Z |
| 11 | M24308/1-1K | M2000/1-1K | 9 | A | M24308/1-1K |
| 12 | M24308/1-2K | M2000/1-2K | 15 | A | M24308/1-2K |
| 13 | M24308/1-3K | M2000/1-3K | 25 | A | M24308/1-3K |
| 14 | M24308/1-4K | M2000/1-4K | 37 | A | M24308/1-4K |
| 15 | M24308/1-5K | M2000/1-5K | 50 | A | M24308/1-5K |
| 16 | M24308/1-34 | M2000/1-34 | 9 | A | M24308/1-34 |
| 17 | M24308/1-35 | M2000/1-35 | 15 | A | M24308/1-35 |
| 18 | M24308/1-36 | M2000/1-36 | 25 | A | M24308/1-36 |
| 19 | M24308/1-37 | M2000/1-37 | 37 | A | M24308/1-37 |
| 20 | M24308/1-38 | M2000/1-38 | 50 | A | M24308/1-38 |

| Sr. No. | Military Designation | Manufacturers Designation | No. of Pins | Shell Details | Marking On The Connector |
|---------|----------------------|---------------------------|-------------|---------------|--------------------------|
| 1 | M24308/5-1F | M2000/5-1F | 9 | A | M24308/1-1F |
| 2 | M24308/5-2F | M2000/5-2F | 15 | A | M24308/5-2F |
| 3 | M24308/5-3F | M2000/5-3F | 25 | A | M24308/5-3F |
| 4 | M24308/5-4F | M2000/5-4F | 37 | A | M24308/5-4F |
| 5 | M24308/5-5F | M2000/5-5F | 50 | A | M24308/5-5F |
| 6 | M24308/5-1Z | M2000/5-1Z | 9 | A | M24308/5-1Z |
| 7 | M24308/5-2Z | M2000/5-2Z | 15 | A | M24308/5-2Z |
| 8 | M24308/5-3Z | M2000/5-3Z | 25 | A | M24308/5-3Z |
| 9 | M24308/5-4Z | M2000/5-4Z | 37 | A | M24308/5-4Z |
| 10 | M24308/5-5Z | M2000/5-5Z | 50 | A | M24308/5-5Z |
| 11 | M24308/5-34 | M2000/5-34 | 9 | A | M24308/5-34 |
| 12 | M24308/5-35 | M2000/5-35 | 15 | A | M24308/5-35 |
| 13 | M24308/5-36 | M2000/5-36 | 25 | A | M24308/5-36 |
| 14 | M24308/5-37 | M2000/5-37 | 37 | A | M24308/5-37 |
| 15 | M24308/5-38 | M2000/5-38 | 50 | A | M24308/5-38 |

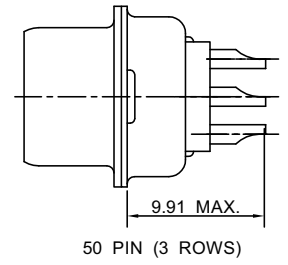
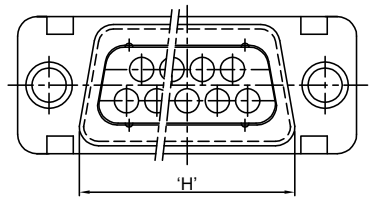
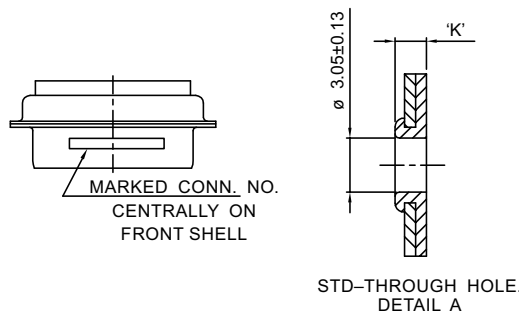
| Sr. No. | Military Designation | Manufacturers Designation | No. of Pins | Shell Details | Marking On The Connector |
|---------|----------------------|---------------------------|-------------|---------------|--------------------------|
| 1 | M24308/1-12F | M2000/1-12F | 9 | B | M24308/1-12F |
| 2 | M24308/1-13F | M2000/1-13F | 15 | B | M24308/1-13F |
| 3 | M24308/1-14F | M2000/1-14F | 25 | B | M24308/1-14F |
| 4 | M24308/1-15F | M2000/1-15F | 37 | B | M24308/1-15F |
| 5 | M24308/1-16F | M2000/1-16F | 50 | B | M24308/1-16F |
| 6 | M24308/1-23F | M2000/1-23F | 9 | C | M24308/1-23F |
| 7 | M24308/1-24F | M2000/1-24F | 15 | C | M24308/1-24F |
| 8 | M24308/1-25F | M2000/1-25F | 25 | C | M24308/1-25F |
| 9 | M24308/1-26F | M2000/1-26F | 37 | C | M24308/1-26F |
| 10 | M24308/1-27F | M2000/1-27F | 50 | C | M24308/1-27F |
| 11 | M24308/1-12Z | M2000/1-12Z | 9 | B | M24308/1-12Z |
| 12 | M24308/1-13Z | M2000/1-13Z | 15 | B | M24308/1-13Z |
| 13 | M24308/1-14Z | M2000/1-14Z | 25 | B | M24308/1-14Z |
| 14 | M24308/1-15Z | M2000/1-15Z | 37 | B | M24308/1-15Z |
| 15 | M24308/1-16Z | M2000/1-16Z | 50 | B | M24308/1-16Z |
| 16 | M24308/1-23Z | M2000/1-23Z | 9 | C | M24308/1-23Z |
| 17 | M24308/1-24Z | M2000/1-24Z | 15 | C | M24308/1-24Z |
| 18 | M24308/1-25Z | M2000/1-25Z | 25 | C | M24308/1-25Z |
| 19 | M24308/1-26Z | M2000/1-26Z | 37 | C | M24308/1-26Z |
| 20 | M24308/1-27Z | M2000/1-27Z | 50 | C | M24308/1-27Z |
| 21 | M24308/1-12K | M2000/1-12K | 9 | B | M24308/1-12K |
| 22 | M24308/1-13K | M2000/1-13K | 15 | B | M24308/1-13K |
| 23 | M24308/1-14K | M2000/1-14K | 25 | B | M24308/1-14K |
| 24 | M24308/1-15K | M2000/1-15K | 37 | B | M24308/1-15K |
| 25 | M24308/1-16K | M2000/1-16K | 50 | B | M24308/1-16K |
| 26 | M24308/1-23K | M2000/1-23K | 9 | C | M24308/1-23K |
| 27 | M24308/1-24K | M2000/1-24K | 15 | C | M24308/1-24K |
| 28 | M24308/1-25K | M2000/1-25K | 25 | C | M24308/1-25K |
| 29 | M24308/1-26K | M2000/1-26K | 37 | C | M24308/1-26K |
| 30 | M24308/1-27K | M2000/1-27K | 50 | C | M24308/1-27K |
| 31 | M24308/1-45 | M2000/1-45 | 9 | B | M24308/1-45 |
| 32 | M24308/1-46 | M2000/1-46 | 15 | B | M24308/1-46 |
| 33 | M24308/1-47 | M2000/1-47 | 25 | B | M24308/1-47 |
| 34 | M24308/1-48 | M2000/1-48 | 37 | B | M24308/1-48 |
| 35 | M24308/1-49 | M2000/1-49 | 50 | B | M24308/1-49 |
| 36 | M24308/1-56 | M2000/1-56 | 9 | C | M24308/1-56 |
| 37 | M24308/1-57 | M2000/1-57 | 15 | C | M24308/1-57 |
| 38 | M24308/1-58 | M2000/1-58 | 25 | C | M24308/1-58 |
| 39 | M24308/1-59 | M2000/1-59 | 37 | C | M24308/1-59 |
| 40 | M24308/1-60 | M2000/1-60 | 50 | C | M24308/1-60 |

| Sr. No. | Military Designation | Manufacturers Designation | No. of Pins | Shell Details | Marking On The Connector |
|---------|----------------------|---------------------------|-------------|---------------|--------------------------|
| 1 | M24308/5-12F | M2000/5-12F | 9 | B | M24308/5-12F |
| 2 | M24308/5-13F | M2000/5-13F | 15 | B | M24308/5-13F |
| 3 | M24308/5-14F | M2000/5-14F | 25 | B | M24308/5-14F |
| 4 | M24308/5-15F | M2000/5-15F | 37 | B | M24308/5-15F |
| 5 | M24308/5-16F | M2000/5-16F | 50 | B | M24308/5-16F |
| 6 | M24308/5-23F | M2000/5-23F | 9 | C | M24308/5-23F |
| 7 | M24308/5-24F | M2000/5-24F | 15 | C | M24308/5-24F |
| 8 | M24308/5-25F | M2000/5-25F | 25 | C | M24308/5-25F |
| 9 | M24308/5-26F | M2000/5-26F | 37 | C | M24308/5-26F |
| 10 | M24308/5-27F | M2000/5-27F | 50 | C | M24308/5-27F |
| 11 | M24308/5-12Z | M2000/5-12Z | 9 | B | M24308/5-12Z |
| 12 | M24308/5-13Z | M2000/5-13Z | 15 | B | M24308/5-13Z |
| 13 | M24308/5-14Z | M2000/5-14Z | 25 | B | M24308/5-14Z |
| 14 | M24308/5-15Z | M2000/5-15Z | 37 | B | M24308/5-15Z |
| 15 | M24308/5-16Z | M2000/5-16Z | 50 | B | M24308/5-16Z |
| 16 | M24308/5-23Z | M2000/5-23Z | 9 | C | M24308/5-23Z |
| 17 | M24308/5-24Z | M2000/5-24Z | 15 | C | M24308/5-24Z |
| 18 | M24308/5-25Z | M2000/5-25Z | 25 | C | M24308/5-25Z |
| 19 | M24308/5-26Z | M2000/5-26Z | 37 | C | M24308/5-26Z |
| 20 | M24308/5-27Z | M2000/5-27Z | 50 | C | M24308/5-27Z |
| 21 | M24308/5-45 | M2000/5-45 | 9 | B | M24308/5-45 |
| 22 | M24308/5-46 | M2000/5-46 | 15 | B | M24308/5-46 |
| 23 | M24308/5-47 | M2000/5-47 | 25 | B | M24308/5-47 |
| 24 | M24308/5-48 | M2000/5-48 | 37 | B | M24308/5-48 |
| 25 | M24308/5-49 | M2000/5-49 | 50 | B | M24308/5-49 |
| 26 | M24308/5-56 | M2000/5-56 | 9 | C | M24308/5-56 |
| 27 | M24308/5-57 | M2000/5-57 | 15 | C | M24308/5-57 |
| 28 | M24308/5-58 | M2000/5-58 | 25 | C | M24308/5-58 |
| 29 | M24308/5-59 | M2000/5-59 | 37 | C | M24308/5-59 |
| 30 | M24308/5-60 | M2000/5-60 | 50 | C | M24308/5-60 |

Standard Density Solder Cup Plug Connector (Pin Contact)



09 TO 37 PIN

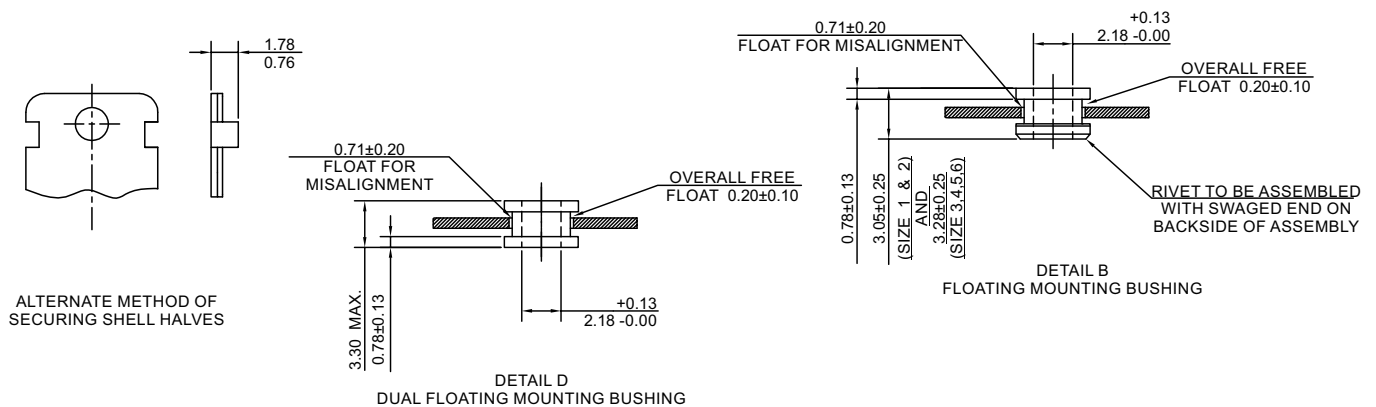


DIMENSION TABLE :-

| SHELL SIZE | STANDARD DENSITY | 'A' | 'B' | 'C' | 'D' | 'E' | 'F' | 'G' | 'H' | 'J' | 'K' | 'L' |
|------------|------------------|-------|-------|-------|-------|-------|-------|------|-------|-------|------|------|
| | NO. OF PINS | | | | | | | | | | | |
| 1 | 09 | 31.19 | 17.04 | 25.12 | 8.48 | 12.93 | 10.97 | 6.05 | 19.53 | 10.97 | 1.52 | 1.02 |
| | | 30.43 | 16.79 | 24.87 | 8.23 | 12.17 | 10.46 | 5.82 | 19.02 | 10.46 | 0.89 | 0.51 |
| 2 | 15 | 39.52 | 25.37 | 33.45 | 8.48 | 12.93 | 10.97 | 6.05 | 27.76 | 10.97 | 1.52 | 1.02 |
| | | 38.76 | 25.12 | 33.20 | 8.23 | 12.17 | 10.46 | 5.82 | 27.25 | 10.46 | 0.89 | 0.51 |
| 3 | 25 | 53.42 | 39.09 | 47.17 | 8.48 | 12.93 | 11.07 | 5.99 | 41.53 | 10.97 | 1.78 | 1.24 |
| | | 52.65 | 38.84 | 46.91 | 8.23 | 12.17 | 10.57 | 5.69 | 41.02 | 10.46 | 1.27 | 0.74 |
| 4 | 37 | 69.70 | 55.55 | 63.63 | 8.48 | 12.93 | 11.07 | 5.99 | 57.96 | 10.97 | 1.78 | 1.24 |
| | | 68.94 | 55.30 | 63.37 | 8.23 | 12.17 | 10.57 | 5.69 | 57.45 | 10.46 | 1.27 | 0.74 |
| 5 | 50 | 67.31 | 52.93 | 61.24 | 11.33 | 15.75 | 11.07 | 5.99 | 55.58 | 13.82 | 1.78 | 1.24 |
| | | 66.55 | 52.68 | 60.99 | 11.07 | 14.99 | 10.57 | 5.69 | 55.07 | 13.31 | 1.27 | 0.74 |

NOTE :-

1. DIMENSION ARE 3.81MM MINIMUM (FOR SIZE 3,4,5) AND 4.04MM MINIMUM (FOR SIZE 1,2)



| Sr. No. | Military Designation | Manufacturers Designation | No. of Pins | Shell Details | Marking On The Connector |
|---------|----------------------|---------------------------|-------------|---------------|--------------------------|
| 1 | M24308/3-1F | M2000/3-1F | 9 | A | M24308/3-1F |
| 2 | M24308/3-2F | M2000/3-2F | 15 | A | M24308/3-2F |
| 3 | M24308/3-3F | M2000/3-3F | 25 | A | M24308/3-3F |
| 4 | M24308/3-4F | M2000/3-4F | 37 | A | M24308/3-4F |
| 5 | M24308/3-5F | M2000/3-5F | 50 | A | M24308/3-5F |
| 6 | M24308/3-1Z | M2000/3-1Z | 9 | A | M24308/3-1Z |
| 7 | M24308/3-2Z | M2000/3-2Z | 15 | A | M24308/3-2Z |
| 8 | M24308/3-3Z | M2000/3-3Z | 25 | A | M24308/3-3Z |
| 9 | M24308/3-4Z | M2000/3-4Z | 37 | A | M24308/3-4Z |
| 10 | M24308/3-5Z | M2000/3-5Z | 50 | A | M24308/3-5Z |
| 11 | M24308/3-1K | M2000/3-1K | 9 | A | M24308/3-1K |
| 12 | M24308/3-2K | M2000/3-2K | 15 | A | M24308/3-2K |
| 13 | M24308/3-3K | M2000/3-3K | 25 | A | M24308/3-3K |
| 14 | M24308/3-4K | M2000/3-4K | 37 | A | M24308/3-4K |
| 15 | M24308/3-5K | M2000/3-5K | 50 | A | M24308/3-5K |
| 16 | M24308/3-23 | M2000/3-23 | 9 | A | M24308/3-23 |
| 17 | M24308/3-24 | M2000/3-24 | 15 | A | M24308/3-24 |
| 18 | M24308/3-25 | M2000/3-25 | 25 | A | M24308/3-25 |
| 19 | M24308/3-26 | M2000/3-26 | 37 | A | M24308/3-26 |
| 20 | M24308/3-27 | M2000/3-27 | 50 | A | M24308/3-27 |

| Sr. No. | Military Designation | Manufacturers Designation | No. of Pins | Shell Details | Marking On The Connector |
|---------|----------------------|---------------------------|-------------|---------------|--------------------------|
| 1 | M24308/7-1F | M2000/7-1F | 9 | A | M24308/7-1F |
| 2 | M24308/7-2F | M2000/7-2F | 15 | A | M24308/7-2F |
| 3 | M24308/7-3F | M2000/7-3F | 25 | A | M24308/7-3F |
| 4 | M24308/7-4F | M2000/7-4F | 37 | A | M24308/7-4F |
| 5 | M24308/7-5F | M2000/7-5F | 50 | A | M24308/7-5F |
| 6 | M24308/7-1Z | M2000/7-1Z | 9 | A | M24308/7-1Z |
| 7 | M24308/7-2Z | M2000/7-2Z | 15 | A | M24308/7-2Z |
| 8 | M24308/7-3Z | M2000/7-3Z | 25 | A | M24308/7-3Z |
| 9 | M24308/7-4Z | M2000/7-4Z | 37 | A | M24308/7-4Z |
| 10 | M24308/7-5Z | M2000/7-5Z | 50 | A | M24308/7-5Z |
| 11 | M24308/7-23 | M2000/7-23 | 9 | A | M24308/7-23 |
| 12 | M24308/7-24 | M2000/7-24 | 15 | A | M24308/7-24 |
| 13 | M24308/7-25 | M2000/7-25 | 25 | A | M24308/7-25 |
| 14 | M24308/7-26 | M2000/7-26 | 37 | A | M24308/7-26 |
| 15 | M24308/7-27 | M2000/7-27 | 50 | A | M24308/7-27 |

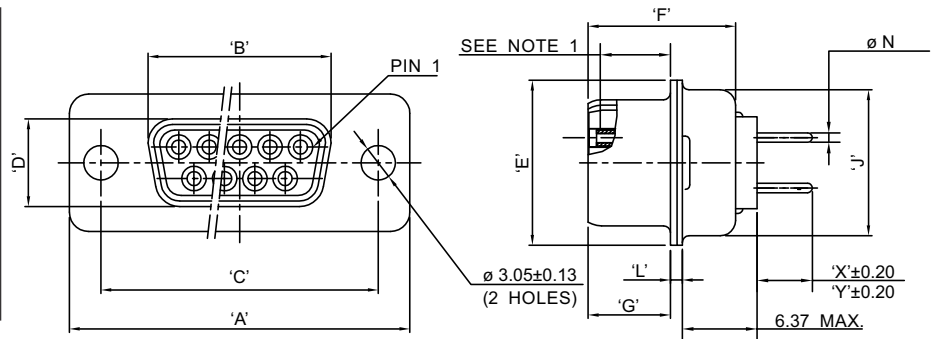
Solder Cup Plug Contact Connectors (Float Mount With Magnetic Shell)

| Sr. No. | Military Designation | Manufacturers Designation | No. of Pins | Shell Details | Marking On The Connector |
|---------|----------------------|---------------------------|-------------|---------------|--------------------------|
| 1 | M24308/3-12F | M2000/3-12F | 9 | B | M24308/3-12F |
| 2 | M24308/3-13F | M2000/3-13F | 15 | B | M24308/3-13F |
| 3 | M24308/3-14F | M2000/3-14F | 25 | B | M24308/3-14F |
| 4 | M24308/3-15F | M2000/3-15F | 37 | B | M24308/3-15F |
| 5 | M24308/3-16F | M2000/3-16F | 50 | B | M24308/3-16F |
| 6 | M24308/3-17F | M2000/3-17F | 9 | D | M24308/3-17F |
| 7 | M24308/3-18F | M2000/3-18F | 15 | D | M24308/3-18F |
| 8 | M24308/3-19F | M2000/3-19F | 25 | D | M24308/3-19F |
| 9 | M24308/3-20F | M2000/3-20F | 37 | D | M24308/3-20F |
| 10 | M24308/3-21F | M2000/3-21F | 50 | D | M24308/3-21F |
| 11 | M24308/3-12Z | M2000/3-12Z | 9 | B | M24308/3-12Z |
| 12 | M24308/3-13Z | M2000/3-13Z | 15 | B | M24308/3-13Z |
| 13 | M24308/3-14Z | M2000/3-14Z | 25 | B | M24308/3-14Z |
| 14 | M24308/3-15Z | M2000/3-15Z | 37 | B | M24308/3-15Z |
| 15 | M24308/3-16Z | M2000/3-16Z | 50 | B | M24308/3-16Z |
| 16 | M24308/3-17Z | M2000/3-17Z | 9 | C | M24308/3-17Z |
| 17 | M24308/3-18Z | M2000/3-18Z | 15 | C | M24308/3-18Z |
| 18 | M24308/3-19Z | M2000/3-19Z | 25 | C | M24308/3-19Z |
| 19 | M24308/3-20Z | M2000/3-20Z | 37 | C | M24308/3-20Z |
| 20 | M24308/3-21Z | M2000/3-21Z | 50 | C | M24308/3-21Z |
| 21 | M24308/3-12K | M2000/3-12K | 9 | B | M24308/3-12K |
| 22 | M24308/3-13K | M2000/3-13K | 15 | B | M24308/3-13K |
| 23 | M24308/3-14K | M2000/3-14K | 25 | B | M24308/3-14K |
| 24 | M24308/3-15K | M2000/3-15K | 37 | B | M24308/3-15K |
| 25 | M24308/3-16K | M2000/3-16K | 50 | B | M24308/3-16K |
| 26 | M24308/3-17K | M2000/3-17K | 9 | D | M24308/3-17K |
| 27 | M24308/3-18K | M2000/3-18K | 15 | D | M24308/3-18K |
| 28 | M24308/3-19K | M2000/3-19K | 25 | D | M24308/3-19K |
| 29 | M24308/3-20K | M2000/3-20K | 37 | D | M24308/3-20K |
| 30 | M24308/3-21K | M2000/3-21K | 50 | D | M24308/3-21K |
| 31 | M24308/3-34 | M2000/3-34 | 9 | B | M24308/3-34 |
| 32 | M24308/3-35 | M2000/3-35 | 15 | B | M24308/3-35 |
| 33 | M24308/3-36 | M2000/3-36 | 25 | B | M24308/3-36 |
| 34 | M24308/3-37 | M2000/3-37 | 37 | B | M24308/3-37 |
| 35 | M24308/3-38 | M2000/3-38 | 50 | B | M24308/3-38 |
| 36 | M24308/3-39 | M2000/3-39 | 9 | D | M24308/3-39 |
| 37 | M24308/3-40 | M2000/3-40 | 15 | D | M24308/3-40 |
| 38 | M24308/3-41 | M2000/3-41 | 25 | D | M24308/3-41 |
| 39 | M24308/3-42 | M2000/3-42 | 37 | D | M24308/3-42 |
| 40 | M24308/3-43 | M2000/3-43 | 50 | D | M24308/3-43 |

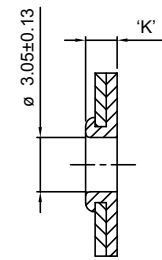
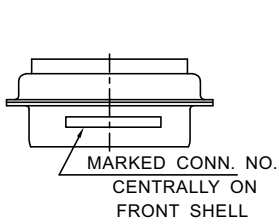
Solder Cup Plug Contact Connectors (Float Mount With Non-Magnetic Shell)

| Sr. No. | Military Designation | Manufacturers Designation | No. of Pins | Shell Details | Marking On The Connector |
|---------|----------------------|---------------------------|-------------|---------------|--------------------------|
| 1 | M24308/7-12F | M2000/7-12F | 9 | B | M24308/7-12F |
| 2 | M24308/7-13F | M2000/7-13F | 15 | B | M24308/7-13F |
| 3 | M24308/7-14F | M2000/7-14F | 25 | B | M24308/7-14F |
| 4 | M24308/7-15F | M2000/7-15F | 37 | B | M24308/7-15F |
| 5 | M24308/7-16F | M2000/7-16F | 50 | B | M24308/7-16F |
| 6 | M24308/7-17F | M2000/7-17F | 9 | D | M24308/7-17F |
| 7 | M24308/7-18F | M2000/7-18F | 15 | D | M24308/7-18F |
| 8 | M24308/7-19F | M2000/7-19F | 25 | D | M24308/7-19F |
| 9 | M24308/7-20F | M2000/7-20F | 37 | D | M24308/7-20F |
| 10 | M24308/7-21F | M2000/7-21F | 50 | D | M24308/7-21F |
| 11 | M24308/7-12Z | M2000/7-12Z | 9 | B | M24308/7-12Z |
| 12 | M24308/7-13Z | M2000/7-13Z | 15 | B | M24308/7-13Z |
| 13 | M24308/7-14Z | M2000/7-14Z | 25 | B | M24308/7-14Z |
| 14 | M24308/7-15Z | M2000/7-15Z | 37 | B | M24308/7-15Z |
| 15 | M24308/7-16Z | M2000/7-16Z | 50 | B | M24308/7-16Z |
| 16 | M24308/7-17Z | M2000/7-17Z | 9 | D | M24308/7-17Z |
| 17 | M24308/7-18Z | M2000/7-18Z | 15 | D | M24308/7-18Z |
| 18 | M24308/7-19Z | M2000/7-19Z | 25 | D | M24308/7-19Z |
| 19 | M24308/7-20Z | M2000/7-20Z | 37 | D | M24308/7-20Z |
| 20 | M24308/7-21Z | M2000/7-21Z | 50 | D | M24308/7-21Z |
| 21 | M24308/7-34 | M2000/7-34 | 9 | B | M24308/7-34 |
| 22 | M24308/7-35 | M2000/7-35 | 15 | B | M24308/7-35 |
| 23 | M24308/7-36 | M2000/7-36 | 25 | B | M24308/7-36 |
| 24 | M24308/7-37 | M2000/7-37 | 37 | B | M24308/7-37 |
| 25 | M24308/7-38 | M2000/7-38 | 50 | B | M24308/7-38 |
| 26 | M24308/7-39 | M2000/7-39 | 9 | D | M24308/7-39 |
| 27 | M24308/7-40 | M2000/7-40 | 15 | D | M24308/7-40 |
| 28 | M24308/7-41 | M2000/7-41 | 25 | D | M24308/7-41 |
| 29 | M24308/7-42 | M2000/7-42 | 37 | D | M24308/7-42 |
| 30 | M24308/7-43 | M2000/7-43 | 50 | D | M24308/7-43 |

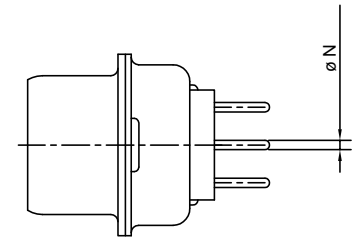
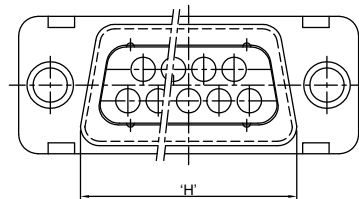
Standard Density Straight PC Tail Type Socket Contact Connector



09 TO 37 PIN



STD-THROUGH HOLE.



50 PIN (3 ROWS)

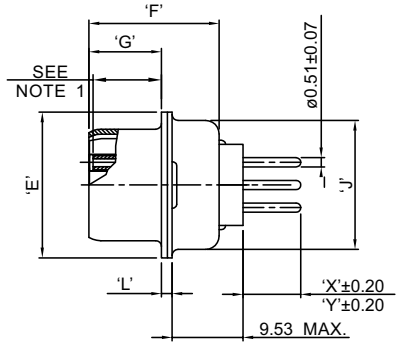
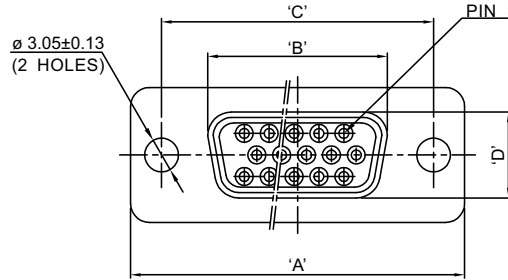
Dimension Table

| SHELL SIZE | STANDARD DENSITY | 'A' | 'B' | 'C' | 'D' | 'E' | 'F' | 'G' | 'H' | 'J' | 'K' | 'L' | 'X' | 'Y' |
|------------|------------------|-------|-------|-------|-------|-------|-------|------|-------|-------|------|------|------|------|
| | NO. OF PINS | | | | | | | | | | | | | |
| 1 | 09 | 31.19 | 16.46 | 25.12 | 8.03 | 12.93 | 11.15 | 6.30 | 19.53 | 10.97 | 1.52 | 1.02 | | |
| | | 30.43 | 16.21 | 24.87 | 7.77 | 12.17 | 10.64 | 6.05 | 19.02 | 10.46 | 0.89 | 0.51 | | |
| 2 | 15 | 39.52 | 24.79 | 33.45 | 8.03 | 12.93 | 11.15 | 6.30 | 27.76 | 10.97 | 1.52 | 1.02 | | |
| | | 38.76 | 24.54 | 33.20 | 7.77 | 12.17 | 10.64 | 6.05 | 27.25 | 10.46 | 0.89 | 0.51 | | |
| 3 | 25 | 53.42 | 38.51 | 47.17 | 8.03 | 12.93 | 11.15 | 6.30 | 41.53 | 10.97 | 1.52 | 1.24 | 4.00 | 4.70 |
| | | 52.65 | 38.25 | 46.91 | 7.77 | 12.17 | 10.64 | 6.05 | 41.02 | 10.46 | 0.89 | 0.74 | | |
| 4 | 37 | 69.70 | 54.97 | 63.63 | 8.03 | 12.93 | 11.15 | 6.30 | 57.96 | 10.97 | 1.52 | 1.24 | | |
| | | 68.94 | 54.71 | 63.37 | 7.77 | 12.17 | 10.64 | 6.05 | 57.45 | 10.46 | 0.89 | 0.74 | | |
| 5 | 50 | 67.31 | 52.55 | 61.24 | 10.87 | 15.75 | 11.15 | 6.30 | 55.58 | 13.82 | 1.52 | 1.24 | | |
| | | 66.55 | 52.30 | 60.99 | 10.62 | 14.99 | 10.64 | 6.05 | 55.07 | 13.31 | 0.89 | 0.74 | | |

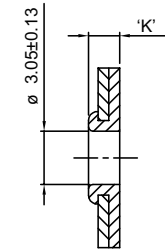
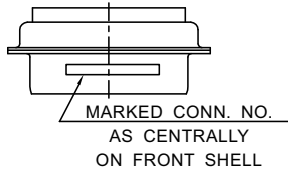
NOTE:

1. DIMENSION ARE 3.63MM MINIMUM (FOR SIZE 1,2,3,4,5)
2. BRASS BUSH (SPACER) WILL BE SUPPLIED LOOSE WITH THIS CONNECTOR.

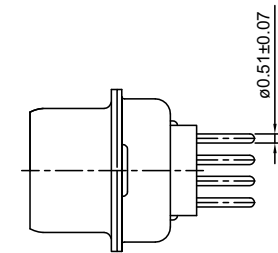
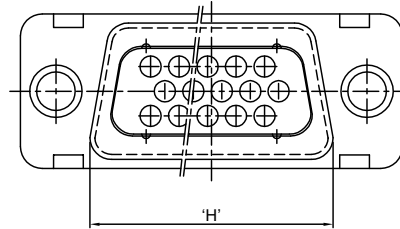
H High Density Straight PC Tail Type Socket Contact Connector



(15 TO 62 PIN)



STD-THROUGH HOLE.



(78 PIN)

Dimension Table :

| SHELL SIZE | STANDARD DENSITY | 'A' | 'B' | 'C' | 'D' | 'E' | 'F' | 'G' | 'H' | 'J' | 'K' | 'L' | 'X' | 'Y' |
|------------|------------------|-------|-------|-------|-------|-------|-------|------|-------|-------|------|------|------|------|
| | NO. OF PINS | | | | | | | | | | | | | |
| 1 | 15 | 31.19 | 16.46 | 25.12 | 8.03 | 12.93 | 11.15 | 6.30 | 19.53 | 10.97 | 1.52 | 1.02 | | |
| | | 30.43 | 16.21 | 24.87 | 7.77 | 12.17 | 10.64 | 6.05 | 19.02 | 10.46 | 0.89 | 0.51 | | |
| 2 | 26 | 39.52 | 24.79 | 33.45 | 8.03 | 12.93 | 11.15 | 6.30 | 27.76 | 10.97 | 1.52 | 1.02 | | |
| | | 38.76 | 24.54 | 33.20 | 7.77 | 12.17 | 10.64 | 6.05 | 27.25 | 10.46 | 0.89 | 0.51 | | |
| 3 | 44 | 53.42 | 38.51 | 47.17 | 8.03 | 12.93 | 11.15 | 6.30 | 41.53 | 10.97 | 1.52 | 1.02 | 4.00 | 7.56 |
| | | 52.65 | 38.25 | 46.91 | 7.77 | 12.17 | 10.64 | 6.05 | 41.02 | 10.46 | 0.89 | 0.51 | | |
| 4 | 62 | 69.70 | 54.97 | 63.63 | 8.03 | 12.93 | 11.15 | 6.30 | 57.96 | 10.97 | 1.52 | 1.02 | | |
| | | 68.94 | 54.71 | 63.37 | 7.77 | 12.17 | 10.64 | 6.05 | 57.45 | 10.46 | 0.89 | 0.51 | | |
| 5 | 78 | 67.31 | 52.55 | 61.24 | 10.87 | 15.75 | 11.15 | 6.30 | 55.58 | 13.82 | 1.52 | 1.02 | | |
| | | 66.55 | 52.30 | 60.99 | 10.62 | 14.99 | 10.64 | 6.05 | 55.07 | 13.31 | 0.89 | 0.51 | | |

NOTE :

1. DIMENSION ARE 3.63MM MINIMUM FOR SIZE 1,2,3,4,5
2. BRASS BUSH (SPACER) WILL BE SUPPLIED LOOSE WITH THIS CONNECTOR.

| Application Dash Number | Application Board Thickness | Nominal Pin Diameter | PC Tail Length | Pin Diameter (N) |
|--------------------------------------|-----------------------------|----------------------|--------------------|--------------------|
| M24308/23-1 Through M24308/23-5 | 2.39 mm | 0.76 mm | 4.70 mm 3.30 mm | 0.84 mm 0.69 mm |
| M24308/23-7 Through M24308/23-11 | 3.18 mm | 0.76 mm | 5.33 mm 3.94 mm | 0.84 mm 0.69 mm |
| M24308/23-13 Through M24308/23-17 | 2.39 mm | 1.02 mm | 4.70 mm 3.30 mm | 1.09 mm 0.94 mm |
| M24308/23-19 Through M24308/23-23 | 3.18 mm | 1.02 mm | 5.33 mm 3.94 mm | 1.09 mm 0.94 mm |
| M24308/23-25 Through M24308/23-29 | 1.57 mm | 0.76 mm | 3.91 mm 2.51 mm | 0.84 mm 0.69 mm |
| M24308/23-31 Through M24308/23-35 | 2.39 mm | 0.76 mm | 4.70 mm 3.30 mm | 0.84 mm 0.69 mm |
| M24308/23-37 Through M24308/23-41 | 1.57 mm | 1.02 mm | 3.91 mm 2.51 mm | 1.09 mm 0.94 mm |
| M24308/23-43 Through M24308/23-47 | 2.39 mm | 1.02 mm | 4.70 mm 3.30 mm | 1.09 mm 0.94 mm |
| M24308/23-49 Through M24308/23-53 | 3.18 mm | 0.76 mm | 5.33 mm 3.94 mm | 0.84 mm 0.69 mm |
| M24308/23-55 Through M24308/23-59 | 3.18 mm | 1.02 mm | 5.33 mm 3.94 mm | 1.09 mm 0.94 mm |
| M24308/23-61 Through M24308/23-65 | 2.39 mm | 0.51 mm | 4.70 mm 3.30 mm | 0.58 mm 0.43 mm |
| M24308/23-67 Through M24308/23-71 | 3.18 mm | 0.51 mm | 8.13 mm 6.99 mm | 0.58 mm 0.43 mm |
| M24308/23-73 Through M24308/23-77 | 1.57 mm | 0.51 mm | 3.91 mm 2.51 mm | 0.58 mm 0.43 mm |

Straight PC Tail Type Socket Connector (With Magnetic Shell)

| Sr. No. | Military Designation | Manufacturers Designation | No. of Pins | Shell Details | Marking On The Connector |
|---------|----------------------|---------------------------|--------------|---------------|--------------------------|
| 1 | M24308/23-1F | M2000/23-1F | Standard | 9 | M24308/23-1F |
| 2 | M24308/23-2F | M2000/23-2F | Standard | 15 | M24308/23-2F |
| 3 | M24308/23-3F | M2000/23-3F | Standard | 25 | M24308/23-3F |
| 4 | M24308/23-4F | M2000/23-4F | Standard | 37 | M24308/23-4F |
| 5 | M24308/23-5F | M2000/23-5F | Standard | 50 | M24308/23-5F |
| 6 | M24308/23-7F | M2000/23-7F | Standard | 9 | M24308/23-7F |
| 7 | M24308/23-8F | M2000/23-8F | Standard | 15 | M24308/23-8F |
| 8 | M24308/23-9F | M2000/23-9F | Standard | 25 | M24308/23-9F |
| 9 | M24308/23-10F | M2000/23-10F | Standard | 37 | M24308/23-10F |
| 10 | M24308/23-11F | M2000/23-11F | Standard | 50 | M24308/23-11F |
| 11 | M24308/23-13F | M2000/23-13F | Standard | 9 | M24308/23-13F |
| 12 | M24308/23-14F | M2000/23-14F | Standard | 15 | M24308/23-14F |
| 13 | M24308/23-15F | M2000/23-15F | Standard | 25 | M24308/23-15F |
| 14 | M24308/23-16F | M2000/23-16F | Standard | 37 | M24308/23-16F |
| 15 | M24308/23-17F | M2000/23-17F | Standard | 50 | M24308/23-17F |
| 16 | M24308/23-19F | M2000/23-19F | Standard | 9 | M24308/23-19F |
| 17 | M24308/23-20F | M2000/23-20F | Standard | 15 | M24308/23-20F |
| 18 | M24308/23-21F | M2000/23-21F | Standard | 25 | M24308/23-21F |
| 19 | M24308/23-22F | M2000/23-22F | Standard | 37 | M24308/23-22F |
| 20 | M24308/23-23F | M2000/23-23F | Standard | 50 | M24308/23-23F |
| 21 | M24308/23-61F | M2000/23-61F | High Density | 15 | M24308/23-61F |
| 22 | M24308/23-62F | M2000/23-62F | High Density | 26 | M24308/23-62F |
| 23 | M24308/23-63F | M2000/23-63F | High Density | 44 | M24308/23-63F |
| 24 | M24308/23-64F | M2000/23-64F | High Density | 62 | M24308/23-64F |
| 25 | M24308/23-65F | M2000/23-65F | High Density | 78 | M24308/23-65F |
| 26 | M24308/23-67F | M2000/23-67F | High Density | 15 | M24308/23-67F |
| 27 | M24308/23-68F | M2000/23-68F | High Density | 26 | M24308/23-68F |
| 28 | M24308/23-69F | M2000/23-69F | High Density | 44 | M24308/23-69F |
| 29 | M24308/23-70F | M2000/23-70F | High Density | 62 | M24308/23-70F |
| 30 | M24308/23-71F | M2000/23-71F | High Density | 78 | M24308/23-71F |

| Sr. No. | Military Designation | Manufacturers Designation | No. of Pins | Shell Details | Marking On The Connector |
|---------|----------------------|---------------------------|--------------|---------------|--------------------------|
| 31 | M24308/23-1Z | M2000/23-1Z | Standard | 9 | M24308/23-1Z |
| 32 | M24308/23-2Z | M2000/23-2Z | Standard | 15 | M24308/23-2Z |
| 33 | M24308/23-3Z | M2000/23-3Z | Standard | 25 | M24308/23-3Z |
| 34 | M24308/23-4Z | M2000/23-4Z | Standard | 37 | M24308/23-4Z |
| 35 | M24308/23-5Z | M2000/23-5Z | Standard | 50 | M24308/23-5Z |
| 36 | M24308/23-7Z | M2000/23-7Z | Standard | 9 | M24308/23-7Z |
| 37 | M24308/23-8Z | M2000/23-8Z | Standard | 15 | M24308/23-8Z |
| 38 | M24308/23-9Z | M2000/23-9Z | Standard | 25 | M24308/23-9Z |
| 39 | M24308/23-10Z | M2000/23-10Z | Standard | 37 | M24308/23-10Z |
| 40 | M24308/23-11Z | M2000/23-11Z | Standard | 50 | M24308/23-11Z |
| 41 | M24308/23-13Z | M2000/23-13Z | Standard | 9 | M24308/23-13Z |
| 42 | M24308/23-14Z | M2000/23-14Z | Standard | 15 | M24308/23-14Z |
| 43 | M24308/23-15Z | M2000/23-15Z | Standard | 25 | M24308/23-15Z |
| 44 | M24308/23-16Z | M2000/23-16Z | Standard | 37 | M24308/23-16Z |
| 45 | M24308/23-17Z | M2000/23-17Z | Standard | 50 | M24308/23-17Z |
| 46 | M24308/23-19Z | M2000/23-19Z | Standard | 9 | M24308/23-19Z |
| 47 | M24308/23-20Z | M2000/23-20Z | Standard | 15 | M24308/23-20Z |
| 48 | M24308/23-21Z | M2000/23-21Z | Standard | 25 | M24308/23-21Z |
| 49 | M24308/23-22Z | M2000/23-22Z | Standard | 37 | M24308/23-22Z |
| 50 | M24308/23-23Z | M2000/23-23Z | Standard | 50 | M24308/23-23Z |
| 51 | M24308/23-61Z | M2000/23-61Z | High Density | 15 | M24308/23-61Z |
| 52 | M24308/23-62Z | M2000/23-62Z | High Density | 26 | M24308/23-62Z |
| 53 | M24308/23-63Z | M2000/23-63Z | High Density | 44 | M24308/23-63Z |
| 54 | M24308/23-64Z | M2000/23-64Z | High Density | 62 | M24308/23-64Z |
| 55 | M24308/23-65Z | M2000/23-65Z | High Density | 78 | M24308/23-65Z |
| 56 | M24308/23-67Z | M2000/23-67Z | High Density | 15 | M24308/23-67Z |
| 57 | M24308/23-68Z | M2000/23-68Z | High Density | 26 | M24308/23-68Z |
| 58 | M24308/23-69Z | M2000/23-69Z | High Density | 44 | M24308/23-69Z |
| 59 | M24308/23-70Z | M2000/23-70Z | High Density | 62 | M24308/23-70Z |
| 60 | M24308/23-71Z | M2000/23-71Z | High Density | 78 | M24308/23-71Z |

Straight PC Tail Type Socket Connector (With Magnetic Shell)

| Sr. No. | Military Designation | Manufacturers Designation | No. of Pins | Shell Details | Marking On The Connector |
|---------|----------------------|---------------------------|--------------|---------------|--------------------------|
| 61 | M24308/23-1K | M2000/23-1K | Standard | 9 | M24308/23-1K |
| 62 | M24308/23-2K | M2000/23-2K | Standard | 15 | M24308/23-2K |
| 63 | M24308/23-3K | M2000/23-3K | Standard | 25 | M24308/23-3K |
| 64 | M24308/23-4K | M2000/23-4K | Standard | 37 | M24308/23-4K |
| 65 | M24308/23-5K | M2000/23-5K | Standard | 50 | M24308/23-5K |
| 66 | M24308/23-7K | M2000/23-7K | Standard | 9 | M24308/23-7K |
| 67 | M24308/23-8K | M2000/23-8K | Standard | 15 | M24308/23-8K |
| 68 | M24308/23-9K | M2000/23-9K | Standard | 25 | M24308/23-9K |
| 69 | M24308/23-10K | M2000/23-10K | Standard | 37 | M24308/23-10K |
| 70 | M24308/23-11K | M2000/23-11K | Standard | 50 | M24308/23-11K |
| 71 | M24308/23-13K | M2000/23-13K | Standard | 9 | M24308/23-13K |
| 72 | M24308/23-14K | M2000/23-14K | Standard | 15 | M24308/23-14K |
| 73 | M24308/23-15K | M2000/23-15K | Standard | 25 | M24308/23-15K |
| 74 | M24308/23-16K | M2000/23-16K | Standard | 37 | M24308/23-16K |
| 75 | M24308/23-17K | M2000/23-17K | Standard | 50 | M24308/23-17K |
| 76 | M24308/23-19K | M2000/23-19K | Standard | 9 | M24308/23-19K |
| 77 | M24308/23-20K | M2000/23-20K | Standard | 15 | M24308/23-20K |
| 78 | M24308/23-21K | M2000/23-21K | Standard | 25 | M24308/23-21K |
| 79 | M24308/23-22K | M2000/23-22K | Standard | 37 | M24308/23-22K |
| 80 | M24308/23-23K | M2000/23-23K | Standard | 50 | M24308/23-23K |
| 81 | M24308/23-61K | M2000/23-61K | High Density | 15 | M24308/23-61K |
| 82 | M24308/23-62K | M2000/23-62K | High Density | 26 | M24308/23-62K |
| 83 | M24308/23-63K | M2000/23-63K | High Density | 44 | M24308/23-63K |
| 84 | M24308/23-64K | M2000/23-64K | High Density | 62 | M24308/23-64K |
| 85 | M24308/23-65K | M2000/23-65K | High Density | 78 | M24308/23-65K |
| 86 | M24308/23-67K | M2000/23-67K | High Density | 15 | M24308/23-67K |
| 87 | M24308/23-68K | M2000/23-68K | High Density | 26 | M24308/23-68K |
| 88 | M24308/23-69K | M2000/23-69K | High Density | 44 | M24308/23-69K |
| 89 | M24308/23-70K | M2000/23-70K | High Density | 62 | M24308/23-70K |
| 90 | M24308/23-71K | M2000/23-71K | High Density | 78 | M24308/23-71K |

Straight PC Tail Type Socket Connector (With Magnetic Shell – Nickel Finish)

| Sr. No. | Military Designation | Manufacturers Designation | No. of Pins | Shell Details | Marking On The Connector |
|---------|----------------------|---------------------------|--------------|---------------|--------------------------|
| 1 | M24308/23-301 | M2000/23-301 | Standard | 9 | M24308/23-301 |
| 2 | M24308/23-302 | M2000/23-302 | Standard | 15 | M24308/23-302 |
| 3 | M24308/23-303 | M2000/23-303 | Standard | 25 | M24308/23-303 |
| 4 | M24308/23-304 | M2000/23-304 | Standard | 37 | M24308/23-304 |
| 5 | M24308/23-305 | M2000/23-305 | Standard | 50 | M24308/23-305 |
| 6 | M24308/23-307 | M2000/23-307 | Standard | 9 | M24308/23-307 |
| 7 | M24308/23-308 | M2000/23-308 | Standard | 15 | M24308/23-308 |
| 8 | M24308/23-309 | M2000/23-309 | Standard | 25 | M24308/23-309 |
| 9 | M24308/23-310 | M2000/23-310 | Standard | 37 | M24308/23-310 |
| 10 | M24308/23-311 | M2000/23-311 | Standard | 50 | M24308/23-311 |
| 11 | M24308/23-313 | M2000/23-313 | Standard | 9 | M24308/23-313 |
| 12 | M24308/23-314 | M2000/23-314 | Standard | 15 | M24308/23-314 |
| 13 | M24308/23-315 | M2000/23-315 | Standard | 25 | M24308/23-315 |
| 14 | M24308/23-316 | M2000/23-316 | Standard | 37 | M24308/23-316 |
| 15 | M24308/23-317 | M2000/23-317 | Standard | 50 | M24308/23-317 |
| 16 | M24308/23-319 | M2000/23-319 | Standard | 9 | M24308/23-319 |
| 17 | M24308/23-320 | M2000/23-320 | Standard | 15 | M24308/23-320 |
| 18 | M24308/23-321 | M2000/23-321 | Standard | 25 | M24308/23-321 |
| 19 | M24308/23-322 | M2000/23-322 | Standard | 37 | M24308/23-322 |
| 20 | M24308/23-323 | M2000/23-323 | Standard | 50 | M24308/23-323 |
| 21 | M24308/23-361 | M2000/23-361 | High Density | 15 | M24308/23-361 |
| 22 | M24308/23-362 | M2000/23-362 | High Density | 26 | M24308/23-362 |
| 23 | M24308/23-363 | M2000/23-363 | High Density | 44 | M24308/23-363 |
| 24 | M24308/23-364 | M2000/23-364 | High Density | 62 | M24308/23-364 |
| 25 | M24308/23-365 | M2000/23-365 | High Density | 78 | M24308/23-365 |
| 26 | M24308/23-367 | M2000/23-367 | High Density | 15 | M24308/23-367 |
| 27 | M24308/23-368 | M2000/23-368 | High Density | 26 | M24308/23-368 |
| 28 | M24308/23-369 | M2000/23-369 | High Density | 44 | M24308/23-369 |
| 29 | M24308/23-370 | M2000/23-370 | High Density | 62 | M24308/23-370 |
| 30 | M24308/23-371 | M2000/23-371 | High Density | 78 | M24308/23-371 |

Straight PC Tail Type Socket Connector (With Non-Magnetic Shell)

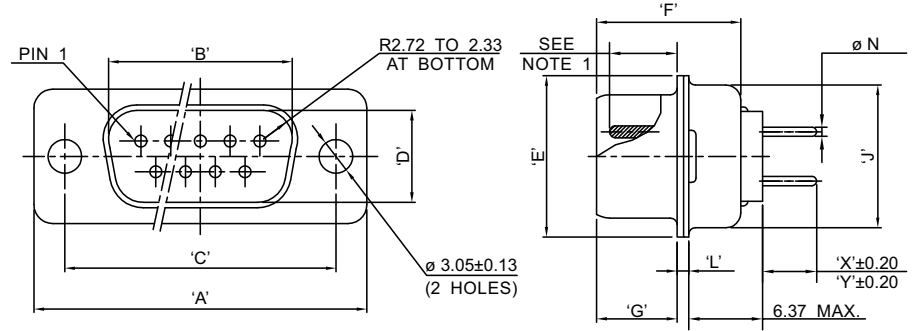
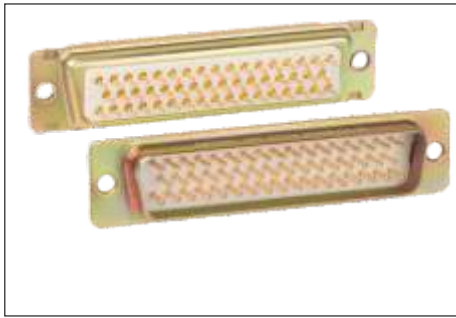
| Sr. No. | Military Designation | Manufacturers Designation | No. of Pins | Shell Details | Marking On The Connector |
|---------|----------------------|---------------------------|--------------|---------------|--------------------------|
| 1 | M24308/23-201F | M2000/23-201F | Standard | 9 | M24308/23-201F |
| 2 | M24308/23-202F | M2000/23-202F | Standard | 15 | M24308/23-202F |
| 3 | M24308/23-203F | M2000/23-203F | Standard | 25 | M24308/23-203F |
| 4 | M24308/23-204F | M2000/23-204F | Standard | 37 | M24308/23-204F |
| 5 | M24308/23-205F | M2000/23-205F | Standard | 50 | M24308/23-205F |
| 6 | M24308/23-207F | M2000/23-207F | Standard | 9 | M24308/23-207F |
| 7 | M24308/23-208F | M2000/23-208F | Standard | 15 | M24308/23-208F |
| 8 | M24308/23-209F | M2000/23-209F | Standard | 25 | M24308/23-209F |
| 9 | M24308/23-210F | M2000/23-210F | Standard | 37 | M24308/23-210F |
| 10 | M24308/23-211F | M2000/23-211F | Standard | 50 | M24308/23-211F |
| 11 | M24308/23-213F | M2000/23-213F | Standard | 9 | M24308/23-213F |
| 12 | M24308/23-214F | M2000/23-214F | Standard | 15 | M24308/23-214F |
| 13 | M24308/23-215F | M2000/23-215F | Standard | 25 | M24308/23-215F |
| 14 | M24308/23-216F | M2000/23-216F | Standard | 37 | M24308/23-216F |
| 15 | M24308/23-217F | M2000/23-217F | Standard | 50 | M24308/23-217F |
| 16 | M24308/23-219F | M2000/23-219F | Standard | 9 | M24308/23-219F |
| 17 | M24308/23-220F | M2000/23-220F | Standard | 15 | M24308/23-220F |
| 18 | M24308/23-221F | M2000/23-221F | Standard | 25 | M24308/23-221F |
| 19 | M24308/23-222F | M2000/23-222F | Standard | 37 | M24308/23-222F |
| 20 | M24308/23-223F | M2000/23-223F | Standard | 50 | M24308/23-223F |
| 21 | M24308/23-261F | M2000/23-261F | High Density | 15 | M24308/23-261F |
| 22 | M24308/23-262F | M2000/23-262F | High Density | 26 | M24308/23-262F |
| 23 | M24308/23-263F | M2000/23-263F | High Density | 44 | M24308/23-263F |
| 24 | M24308/23-264F | M2000/23-264F | High Density | 62 | M24308/23-264F |
| 25 | M24308/23-265F | M2000/23-265F | High Density | 78 | M24308/23-265F |
| 26 | M24308/23-267F | M2000/23-267F | High Density | 15 | M24308/23-267F |
| 27 | M24308/23-268F | M2000/23-268F | High Density | 26 | M24308/23-268F |
| 28 | M24308/23-269F | M2000/23-269F | High Density | 44 | M24308/23-269F |
| 29 | M24308/23-270F | M2000/23-270F | High Density | 62 | M24308/23-270F |
| 30 | M24308/23-271F | M2000/23-271F | High Density | 78 | M24308/23-271F |

Straight PC Tail Type Socket Connector (With Non-Magnetic Shell)

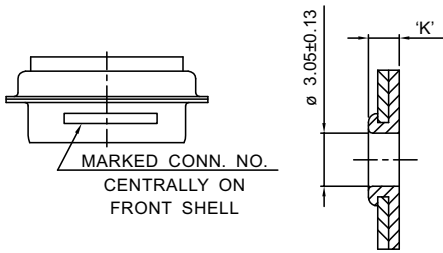
| Sr. No. | Military Designation | Manufacturers Designation | No. of Pins | Shell Details | Marking On The Connector |
|---------|----------------------|---------------------------|--------------|---------------|--------------------------|
| 31 | M24308/23-201Z | M2000/23-201Z | Standard | 9 | M24308/23-201Z |
| 32 | M24308/23-202Z | M2000/23-202Z | Standard | 15 | M24308/23-202Z |
| 33 | M24308/23-203Z | M2000/23-203Z | Standard | 25 | M24308/23-203Z |
| 34 | M24308/23-204Z | M2000/23-204Z | Standard | 37 | M24308/23-204Z |
| 35 | M24308/23-205Z | M2000/23-205Z | Standard | 50 | M24308/23-205Z |
| 36 | M24308/23-207Z | M2000/23-207Z | Standard | 9 | M24308/23-207Z |
| 37 | M24308/23-208Z | M2000/23-208Z | Standard | 15 | M24308/23-208Z |
| 38 | M24308/23-209Z | M2000/23-209Z | Standard | 25 | M24308/23-209Z |
| 39 | M24308/23-210Z | M2000/23-210Z | Standard | 37 | M24308/23-210Z |
| 40 | M24308/23-211Z | M2000/23-211Z | Standard | 50 | M24308/23-211Z |
| 41 | M24308/23-213Z | M2000/23-213Z | Standard | 9 | M24308/23-213Z |
| 42 | M24308/23-214Z | M2000/23-214Z | Standard | 15 | M24308/23-214Z |
| 43 | M24308/23-215Z | M2000/23-215Z | Standard | 25 | M24308/23-215Z |
| 44 | M24308/23-216Z | M2000/23-216Z | Standard | 37 | M24308/23-216Z |
| 45 | M24308/23-217Z | M2000/23-217Z | Standard | 50 | M24308/23-217Z |
| 46 | M24308/23-219Z | M2000/23-219Z | Standard | 9 | M24308/23-219Z |
| 47 | M24308/23-220Z | M2000/23-220Z | Standard | 15 | M24308/23-220Z |
| 48 | M24308/23-221Z | M2000/23-221Z | Standard | 25 | M24308/23-221Z |
| 49 | M24308/23-222Z | M2000/23-222Z | Standard | 37 | M24308/23-222Z |
| 50 | M24308/23-223Z | M2000/23-223Z | Standard | 50 | M24308/23-223Z |
| 51 | M24308/23-261Z | M2000/23-261Z | High Density | 15 | M24308/23-261Z |
| 52 | M24308/23-262Z | M2000/23-262Z | High Density | 26 | M24308/23-262Z |
| 53 | M24308/23-263Z | M2000/23-263Z | High Density | 44 | M24308/23-263Z |
| 54 | M24308/23-264Z | M2000/23-264Z | High Density | 62 | M24308/23-264Z |
| 55 | M24308/23-265Z | M2000/23-265Z | High Density | 78 | M24308/23-265Z |
| 56 | M24308/23-267Z | M2000/23-267Z | High Density | 15 | M24308/23-267Z |
| 57 | M24308/23-268Z | M2000/23-268Z | High Density | 26 | M24308/23-268Z |
| 58 | M24308/23-269Z | M2000/23-269Z | High Density | 44 | M24308/23-269Z |
| 59 | M24308/23-270Z | M2000/23-270 | High Density | 62 | M24308/23-270Z |
| 60 | M24308/23-271Z | M2000/23-271Z | High Density | 78 | M24308/23-271Z |

| Sr. No. | Military Designation | Manufacturers Designation | No. of Pins | Shell Details | Marking On The Connector |
|---------|----------------------|---------------------------|--------------|---------------|--------------------------|
| 1 | M24308/23-101 | M24308/23-101 | Standard | 9 | M24308/23-101 |
| 2 | M24308/23-102 | M24308/23-102 | Standard | 15 | M24308/23-102 |
| 3 | M24308/23-103 | M24308/23-103 | Standard | 25 | M24308/23-103 |
| 4 | M24308/23-104 | M24308/23-104 | Standard | 37 | M24308/23-104 |
| 5 | M24308/23-105 | M24308/23-105 | Standard | 50 | M24308/23-105 |
| 6 | M24308/23-107 | M24308/23-107 | Standard | 9 | M24308/23-107 |
| 7 | M24308/23-108 | M24308/23-108 | Standard | 15 | M24308/23-108 |
| 8 | M24308/23-109 | M24308/23-109 | Standard | 25 | M24308/23-109 |
| 9 | M24308/23-110 | M24308/23-110 | Standard | 37 | M24308/23-110 |
| 10 | M24308/23-111 | M24308/23-111 | Standard | 50 | M24308/23-111 |
| 11 | M24308/23-113 | M24308/23-113 | Standard | 9 | M24308/23-113 |
| 12 | M24308/23-114 | M24308/23-114 | Standard | 15 | M24308/23-114 |
| 13 | M24308/23-115 | M24308/23-115 | Standard | 25 | M24308/23-115 |
| 14 | M24308/23-116 | M24308/23-116 | Standard | 37 | M24308/23-116 |
| 15 | M24308/23-117 | M24308/23-117 | Standard | 50 | M24308/23-117 |
| 16 | M24308/23-119 | M24308/23-119 | Standard | 9 | M24308/23-119 |
| 17 | M24308/23-120 | M24308/23-120 | Standard | 15 | M24308/23-120 |
| 18 | M24308/23-121 | M24308/23-121 | Standard | 25 | M24308/23-121 |
| 19 | M24308/23-122 | M24308/23-122 | Standard | 37 | M24308/23-122 |
| 20 | M24308/23-123 | M24308/23-123 | Standard | 50 | M24308/23-123 |
| 21 | M24308/23-161 | M24308/23-161 | High Density | 15 | M24308/23-161 |
| 22 | M24308/23-162 | M24308/23-162 | High Density | 26 | M24308/23-162 |
| 23 | M24308/23-163 | M24308/23-163 | High Density | 44 | M24308/23-163 |
| 24 | M24308/23-164 | M24308/23-164 | High Density | 62 | M24308/23-164 |
| 25 | M24308/23-165 | M24308/23-165 | High Density | 78 | M24308/23-165 |
| 26 | M24308/23-167 | M24308/23-167 | High Density | 15 | M24308/23-167 |
| 27 | M24308/23-168 | M24308/23-168 | High Density | 26 | M24308/23-168 |
| 28 | M24308/23-169 | M24308/23-169 | High Density | 44 | M24308/23-169 |
| 29 | M24308/23-170 | M24308/23-170 | High Density | 62 | M24308/23-170 |
| 30 | M24308/23-171 | M24308/23-171 | High Density | 78 | M24308/23-171 |

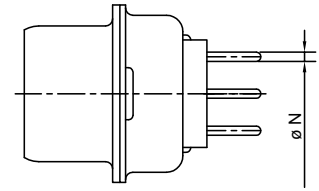
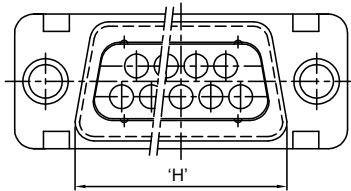
Standard Density Straight PC Tail Type Plug Contact Connector



09 TO 37 PIN



STD-THROUGH HOLE.



50 PIN (3 ROWS)

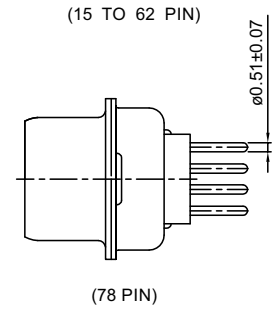
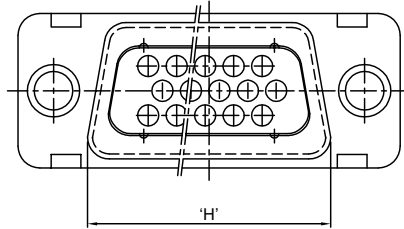
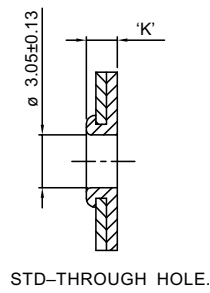
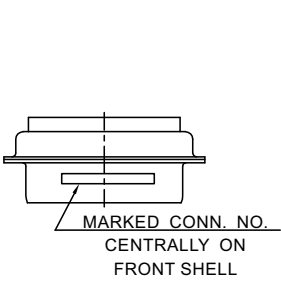
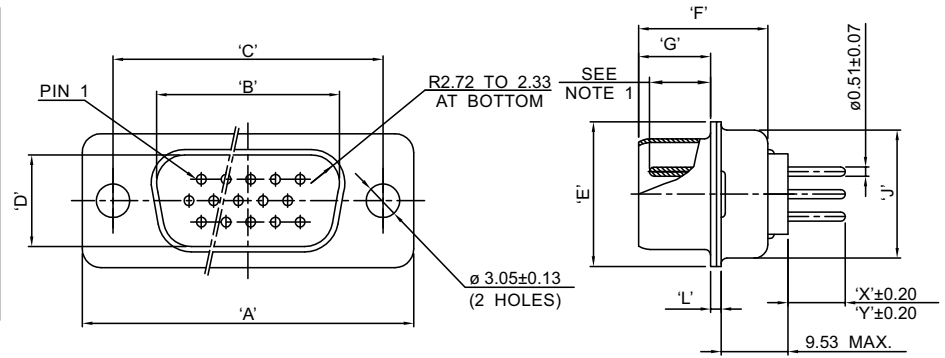
Dimension Table

| SHELL SIZE | STANDARD DENSITY | 'A' | 'B' | 'C' | 'D' | 'E' | 'F' | 'G' | 'H' | 'J' | 'K' | 'L' | 'X' | 'Y' |
|------------|------------------|-------|-------|-------|-------|-------|-------|------|-------|-------|------|------|------|------|
| | NO. OF PINS | | | | | | | | | | | | | |
| 1 | 09 | 31.19 | 17.04 | 25.12 | 8.48 | 12.93 | 10.97 | 6.05 | 19.53 | 10.97 | 1.52 | 1.02 | | |
| | | 30.43 | 16.79 | 24.87 | 8.23 | 12.17 | 10.46 | 5.82 | 19.02 | 10.46 | 0.89 | 0.51 | | |
| 2 | 15 | 39.52 | 25.37 | 33.45 | 8.48 | 12.93 | 10.97 | 6.05 | 27.76 | 10.97 | 1.52 | 1.02 | | |
| | | 38.76 | 25.12 | 33.20 | 8.23 | 12.17 | 10.46 | 5.82 | 27.25 | 10.46 | 0.89 | 0.51 | | |
| 3 | 25 | 53.42 | 39.09 | 47.17 | 8.48 | 12.93 | 11.07 | 5.99 | 41.53 | 10.97 | 1.78 | 1.24 | 4.00 | 4.70 |
| | | 52.65 | 38.84 | 46.91 | 8.23 | 12.17 | 10.57 | 5.69 | 41.02 | 10.46 | 1.27 | 0.74 | | |
| 4 | 37 | 69.70 | 55.55 | 63.63 | 8.48 | 12.93 | 11.07 | 5.99 | 57.96 | 10.97 | 1.78 | 1.24 | | |
| | | 68.94 | 55.30 | 63.37 | 8.23 | 12.17 | 10.57 | 5.69 | 57.45 | 10.46 | 1.27 | 0.74 | | |
| 5 | 50 | 67.31 | 52.93 | 61.24 | 11.33 | 15.75 | 11.07 | 5.99 | 55.58 | 13.82 | 1.78 | 1.24 | | |
| | | 66.55 | 52.68 | 60.99 | 11.07 | 14.99 | 10.57 | 5.69 | 55.07 | 13.31 | 1.27 | 0.74 | | |

NOTE :

1. DIMENSION ARE 3.81MM MINIMUM (FOR SIZE 3,4,5) AND 4.0MM MIN. (FOR SIZE 1,2)
2. BRASS BUSH (SPACER) WILL BE SUPPLIED LOOSE WITH THIS CONNECTOR.

High Density Straight PC Tail Type Plug Contact Connector



Dimension Table

| SHELL SIZE | STANDARD DENSITY | 'A' | 'B' | 'C' | 'D' | 'E' | 'F' | 'G' | 'H' | 'J' | 'K' | 'L' | 'X' | 'Y' |
|------------|------------------|-------|-------|-------|-------|-------|-------|------|-------|-------|------|------|------|------|
| | NO. OF PINS | | | | | | | | | | | | | |
| 1 | 15 | 31.19 | 17.04 | 25.12 | 8.48 | 12.93 | 10.97 | 6.05 | 19.53 | 10.97 | 1.52 | 1.02 | | |
| | | 30.43 | 16.79 | 24.87 | 8.23 | 12.17 | 10.46 | 5.82 | 19.02 | 10.46 | 0.89 | 0.51 | | |
| 2 | 26 | 39.52 | 25.37 | 33.45 | 8.48 | 12.93 | 10.97 | 6.05 | 27.76 | 10.97 | 1.52 | 1.02 | | |
| | | 38.76 | 25.12 | 33.20 | 8.23 | 12.17 | 10.46 | 5.82 | 27.25 | 10.46 | 0.89 | 0.51 | | |
| 3 | 44 | 53.42 | 39.09 | 47.17 | 8.48 | 12.93 | 11.07 | 5.99 | 41.53 | 10.97 | 1.78 | 1.24 | 4.00 | 7.56 |
| | | 52.65 | 38.84 | 46.91 | 8.23 | 12.17 | 10.57 | 5.69 | 41.02 | 10.46 | 1.27 | 0.74 | | |
| 4 | 62 | 69.70 | 55.55 | 63.63 | 8.48 | 12.93 | 11.07 | 5.99 | 57.96 | 10.97 | 1.78 | 1.24 | | |
| | | 68.94 | 55.30 | 63.37 | 8.23 | 12.17 | 10.57 | 5.69 | 57.45 | 10.46 | 1.27 | 0.74 | | |
| 5 | 78 | 67.31 | 52.93 | 61.24 | 11.33 | 15.75 | 11.07 | 5.99 | 55.58 | 13.82 | 1.78 | 1.24 | | |
| | | 66.55 | 52.68 | 60.99 | 11.07 | 14.99 | 10.57 | 5.69 | 55.07 | 13.31 | 1.27 | 0.74 | | |

NOTE :

1. DIMENSION ARE 3.81MM MIN. (FOR SIZE 3,4,5) AND 4.04MM MIN. (FOR SIZE 1,2)
2. BRASS BUSH (SPACER) WILL BE SUPPLIED LOOSE WITH THIS CONNECTOR.

| Application Dash Number | Application Board Thickness | Nominal Pin Diameter | PC Tail Length | Pin Diameter (N) |
|--------------------------------------|-----------------------------|----------------------|--------------------|--------------------|
| M24308/24-1 Through M24308/24-5 | 2.39 mm | 0.76 mm | 4.70 mm 3.30 mm | 0.84 mm 0.69 mm |
| M24308/24-7 Through M24308/24-11 | 3.18 mm | 0.76 mm | 5.33 mm 3.94 mm | 0.84 mm 0.69 mm |
| M24308/24-13 Through M24308/24-17 | 2.39 mm | 1.02 mm | 4.70 mm 3.30 mm | 1.09 mm 0.94 mm |
| M24308/24-19 Through M24308/24-23 | 3.18 mm | 1.02 mm | 5.33 mm 3.94 mm | 1.09 mm 0.94 mm |
| M24308/24-25 Through M24308/24-29 | 1.57 mm | 0.76 mm | 3.91 mm 2.51 mm | 0.84 mm 0.69 mm |
| M24308/24-31 Through M24308/24-35 | 2.39 mm | 0.76 mm | 4.70 mm 3.30 mm | 0.84 mm 0.69 mm |
| M24308/24-37 Through M24308/24-41 | 1.57 mm | 1.02 mm | 3.91 mm 2.51 mm | 1.09 mm 0.94 mm |
| M24308/24-43 Through M24308/24-47 | 2.39 mm | 1.02 mm | 4.70 mm 3.30 mm | 1.09 mm 0.94 mm |
| M24308/24-49 Through M24308/24-53 | 3.18 mm | 0.76 mm | 5.33 mm 3.94 mm | 0.84 mm 0.69 mm |
| M24308/24-55 Through M24308/24-59 | 3.18 mm | 1.02 mm | 5.33 mm 3.94 mm | 1.09 mm 0.94 mm |
| M24308/24-61 Through M24308/24-65 | 2.39 mm | 0.51 mm | 4.70 mm 3.30 mm | 0.58 mm 0.43 mm |
| M24308/24-67 Through M24308/24-71 | 3.18 mm | 0.51 mm | 8.13 mm 6.99 mm | 0.58 mm 0.43 mm |
| M24308/24-73 Through M24308/24-77 | 1.57 mm | 0.51 mm | 3.91 mm 2.51 mm | 0.58 mm 0.43 mm |

Straight PC Tail Plug Type Connector (With Magnetic Shell)

| Sr. No. | Military Designation | Manufacturers Designation | No. of Pins | Shell Details | Marking On The Connector |
|---------|----------------------|---------------------------|--------------|---------------|--------------------------|
| 1 | M24308/24-1F | M2000/24-1F | Standard | 9 | M24308/24-1F |
| 2 | M24308/24-2F | M2000/24-2F | Standard | 15 | M24308/24-2F |
| 3 | M24308/24-3F | M2000/24-3F | Standard | 25 | M24308/24-3F |
| 4 | M24308/24-4F | M2000/24-4F | Standard | 37 | M24308/24-4F |
| 5 | M24308/24-5F | M2000/24-5F | Standard | 50 | M24308/24-5F |
| 6 | M24308/24-7F | M2000/24-7F | Standard | 9 | M24308/24-7F |
| 7 | M24308/24-8F | M2000/24-8F | Standard | 15 | M24308/24-8F |
| 8 | M24308/24-9F | M2000/24-9F | Standard | 25 | M24308/24-9F |
| 9 | M24308/24-10F | M2000/24-10F | Standard | 37 | M24308/24-10F |
| 10 | M24308/24-11F | M2000/24-11F | Standard | 50 | M24308/24-11F |
| 11 | M24308/24-13F | M2000/24-13F | Standard | 9 | M24308/24-13F |
| 12 | M24308/24-14F | M2000/24-14F | Standard | 15 | M24308/24-14F |
| 13 | M24308/24-15F | M2000/24-15F | Standard | 25 | M24308/24-15F |
| 14 | M24308/24-16F | M2000/24-16F | Standard | 37 | M24308/24-16F |
| 15 | M24308/24-17F | M2000/24-17F | Standard | 50 | M24308/24-17F |
| 16 | M24308/24-19F | M2000/24-19F | Standard | 9 | M24308/24-19F |
| 17 | M24308/24-20F | M2000/24-20F | Standard | 15 | M24308/24-20F |
| 18 | M24308/24-21F | M2000/24-21F | Standard | 25 | M24308/24-21F |
| 19 | M24308/24-22F | M2000/24-22F | Standard | 37 | M24308/24-22F |
| 20 | M24308/24-23F | M2000/24-23F | Standard | 50 | M24308/24-23F |
| 21 | M24308/24-61F | M2000/24-61F | High Density | 15 | M24308/24-61F |
| 22 | M24308/24-62F | M2000/24-62F | High Density | 26 | M24308/24-62F |
| 23 | M24308/24-63F | M2000/24-63F | High Density | 44 | M24308/24-63F |
| 24 | M24308/24-64F | M2000/24-64F | High Density | 62 | M24308/24-64F |
| 25 | M24308/24-65F | M2000/24-65F | High Density | 78 | M24308/24-65F |
| 26 | M24308/24-67F | M2000/24-67F | High Density | 15 | M24308/24-67F |
| 27 | M24308/24-68F | M2000/24-68F | High Density | 26 | M24308/24-68F |
| 28 | M24308/24-69F | M2000/24-69F | High Density | 44 | M24308/24-69F |
| 29 | M24308/24-70F | M2000/24-70F | High Density | 62 | M24308/24-70F |
| 30 | M24308/24-71F | M2000/24-71F | High Density | 78 | M24308/24-71F |

Straight PC Tail Plug Type Connector (With Magnetic Shell)

| Sr. No. | Military Designation | Manufacturers Designation | No. of Pins | Shell Details | Marking On The Connector |
|---------|----------------------|---------------------------|--------------|---------------|--------------------------|
| 31 | M24308/24-1Z | M2000/24-1Z | Standard | 9 | M24308/24-1Z |
| 32 | M24308/24-2Z | M2000/24-2Z | Standard | 15 | M24308/24-2Z |
| 33 | M24308/24-3Z | M2000/24-3Z | Standard | 25 | M24308/24-3Z |
| 34 | M24308/24-4Z | M2000/24-4Z | Standard | 37 | M24308/24-4Z |
| 35 | M24308/24-5Z | M2000/24-5Z | Standard | 50 | M24308/24-5Z |
| 36 | M24308/24-7Z | M2000/24-7Z | Standard | 9 | M24308/24-7Z |
| 37 | M24308/24-8Z | M2000/24-8Z | Standard | 15 | M24308/24-8Z |
| 38 | M24308/24-9Z | M2000/24-9Z | Standard | 25 | M24308/24-9Z |
| 39 | M24308/24-10Z | M2000/24-10Z | Standard | 37 | M24308/24-10Z |
| 40 | M24308/24-11Z | M2000/24-11Z | Standard | 50 | M24308/24-11Z |
| 41 | M24308/24-13Z | M2000/24-13Z | Standard | 9 | M24308/24-13Z |
| 42 | M24308/24-14Z | M2000/24-14Z | Standard | 15 | M24308/24-14Z |
| 43 | M24308/24-15Z | M2000/24-15Z | Standard | 25 | M24308/24-15Z |
| 44 | M24308/24-16Z | M2000/24-16Z | Standard | 37 | M24308/24-16Z |
| 45 | M24308/24-17Z | M2000/24-17Z | Standard | 50 | M24308/24-17Z |
| 46 | M24308/24-19Z | M2000/24-19Z | Standard | 9 | M24308/24-19Z |
| 47 | M24308/24-20Z | M2000/24-20Z | Standard | 15 | M24308/24-20Z |
| 48 | M24308/24-21Z | M2000/24-21Z | Standard | 25 | M24308/24-21Z |
| 49 | M24308/24-22Z | M2000/24-22Z | Standard | 37 | M24308/24-22Z |
| 50 | M24308/24-23Z | M2000/24-23Z | Standard | 50 | M24308/24-23Z |
| 51 | M24308/24-61Z | M2000/24-61Z | High Density | 15 | M24308/24-61Z |
| 52 | M24308/24-62Z | M2000/24-62Z | High Density | 26 | M24308/24-62Z |
| 53 | M24308/24-63Z | M2000/24-63Z | High Density | 44 | M24308/24-63Z |
| 54 | M24308/24-64Z | M2000/24-64Z | High Density | 62 | M24308/24-64Z |
| 55 | M24308/24-65Z | M2000/24-65Z | High Density | 78 | M24308/24-65Z |
| 56 | M24308/24-67Z | M2000/24-67Z | High Density | 15 | M24308/24-67Z |
| 57 | M24308/24-68Z | M2000/24-68Z | High Density | 26 | M24308/24-68Z |
| 58 | M24308/24-69Z | M2000/24-69Z | High Density | 44 | M24308/24-69Z |
| 59 | M24308/24-70Z | M2000/24-70Z | High Density | 62 | M24308/24-70Z |
| 60 | M24308/24-71Z | M2000/24-71Z | High Density | 78 | M24308/24-71Z |

Straight PC Tail Plug Type Connector (With Magnetic Shell)

| Sr. No. | Military Designation | Manufacturers Designation | No. of Pins | Shell Details | Marking On The Connector |
|---------|----------------------|---------------------------|--------------|---------------|--------------------------|
| 61 | M24308/24-1K | M2000/24-1K | Standard | 9 | M24308/24-1K |
| 62 | M24308/24-2K | M2000/24-2K | Standard | 15 | M24308/24-2K |
| 63 | M24308/24-3K | M2000/24-3K | Standard | 25 | M24308/24-3K |
| 64 | M24308/24-4K | M2000/24-4K | Standard | 37 | M24308/24-4K |
| 65 | M24308/24-5K | M2000/24-5K | Standard | 50 | M24308/24-5K |
| 66 | M24308/24-7K | M2000/24-7K | Standard | 9 | M24308/24-7K |
| 67 | M24308/24-8K | M2000/24-8K | Standard | 15 | M24308/24-8K |
| 68 | M24308/24-9K | M2000/24-9K | Standard | 25 | M24308/24-9K |
| 69 | M24308/24-10K | M2000/24-10K | Standard | 37 | M24308/24-10K |
| 70 | M24308/24-11K | M2000/24-11K | Standard | 50 | M24308/24-11K |
| 71 | M24308/24-13K | M2000/24-13K | Standard | 9 | M24308/24-13K |
| 72 | M24308/24-14K | M2000/24-14K | Standard | 15 | M24308/24-14K |
| 73 | M24308/24-15K | M2000/24-15K | Standard | 25 | M24308/24-15K |
| 74 | M24308/24-16K | M2000/24-16K | Standard | 37 | M24308/24-16K |
| 75 | M24308/24-17K | M2000/24-17K | Standard | 50 | M24308/24-17K |
| 76 | M24308/24-19K | M2000/24-19K | Standard | 9 | M24308/24-19K |
| 77 | M24308/24-20K | M2000/24-20K | Standard | 15 | M24308/24-20K |
| 78 | M24308/24-21K | M2000/24-21K | Standard | 25 | M24308/24-21K |
| 79 | M24308/24-22K | M2000/24-22K | Standard | 37 | M24308/24-22K |
| 80 | M24308/24-23K | M2000/24-23K | Standard | 50 | M24308/24-23K |
| 81 | M24308/24-61K | M2000/24-61K | High Density | 15 | M24308/24-61K |
| 82 | M24308/24-62K | M2000/24-62K | High Density | 26 | M24308/24-62K |
| 83 | M24308/24-63K | M2000/24-63K | High Density | 44 | M24308/24-63K |
| 84 | M24308/24-64K | M2000/24-64K | High Density | 62 | M24308/24-64K |
| 85 | M24308/24-65K | M2000/24-65K | High Density | 78 | M24308/24-65K |
| 86 | M24308/24-67K | M2000/24-67K | High Density | 15 | M24308/24-67K |
| 87 | M24308/24-68K | M2000/24-68K | High Density | 26 | M24308/24-68K |
| 88 | M24308/24-69K | M2000/24-69K | High Density | 44 | M24308/24-69K |
| 89 | M24308/24-70K | M2000/24-70K | High Density | 62 | M24308/24-70K |
| 90 | M24308/24-71K | M2000/24-71K | High Density | 78 | M24308/24-71K |

Straight PC Tail Plug Contact Connector (With Magnetic Shell – Nickel Finish)

| Sr. No. | Military Designation | Manufacturers Designation | No. of Pins | Shell Details | Marking On The Connector |
|---------|----------------------|---------------------------|--------------|---------------|--------------------------|
| 1 | M24308/24-301 | M2000/24-301 | Standard | 9 | M24308/24-301 |
| 2 | M24308/24-302 | M2000/24-302 | Standard | 15 | M24308/24-302 |
| 3 | M24308/24-303 | M2000/24-303 | Standard | 25 | M24308/24-303 |
| 4 | M24308/24-304 | M2000/24-304 | Standard | 37 | M24308/24-304 |
| 5 | M24308/24-305 | M2000/24-305 | Standard | 50 | M24308/24-305 |
| 6 | M24308/24-307 | M2000/24-307 | Standard | 9 | M24308/24-307 |
| 7 | M24308/24-308 | M2000/24-308 | Standard | 15 | M24308/24-308 |
| 8 | M24308/24-309 | M2000/24-309 | Standard | 25 | M24308/24-309 |
| 9 | M24308/24-310 | M2000/24-310 | Standard | 37 | M24308/24-310 |
| 10 | M24308/24-311 | M2000/24-311 | Standard | 50 | M24308/24-311 |
| 11 | M24308/24-313 | M2000/24-313 | Standard | 9 | M24308/24-313 |
| 12 | M24308/24-314 | M2000/24-314 | Standard | 15 | M24308/24-314 |
| 13 | M24308/24-315 | M2000/24-315 | Standard | 25 | M24308/24-315 |
| 14 | M24308/24-316 | M2000/24-316 | Standard | 37 | M24308/24-316 |
| 15 | M24308/24-317 | M2000/24-317 | Standard | 50 | M24308/24-317 |
| 16 | M24308/24-319 | M2000/24-319 | Standard | 9 | M24308/24-319 |
| 17 | M24308/24-320 | M2000/24-320 | Standard | 15 | M24308/24-320 |
| 18 | M24308/24-321 | M2000/24-321 | Standard | 25 | M24308/24-321 |
| 19 | M24308/24-322 | M2000/24-322 | Standard | 37 | M24308/24-322 |
| 20 | M24308/24-323 | M2000/24-323 | Standard | 50 | M24308/24-323 |
| 21 | M24308/24-361 | M2000/24-361 | High Density | 15 | M24308/24-361 |
| 22 | M24308/24-362 | M2000/24-362 | High Density | 26 | M24308/24-362 |
| 23 | M24308/24-363 | M2000/24-363 | High Density | 44 | M24308/24-363 |
| 24 | M24308/24-364 | M2000/24-364 | High Density | 62 | M24308/24-364 |
| 25 | M24308/24-365 | M2000/24-365 | High Density | 78 | M24308/24-365 |
| 26 | M24308/24-367 | M2000/24-367 | High Density | 15 | M24308/24-367 |
| 27 | M24308/24-368 | M2000/24-368 | High Density | 26 | M24308/24-368 |
| 28 | M24308/24-369 | M2000/24-369 | High Density | 44 | M24308/24-369 |
| 29 | M24308/24-370 | M2000/24-370 | High Density | 62 | M24308/24-370 |
| 30 | M24308/24-371 | M2000/24-371 | High Density | 78 | M24308/24-371 |

Straight PC Tail Plug Contact Connector (With Non-Magnetic Shell)

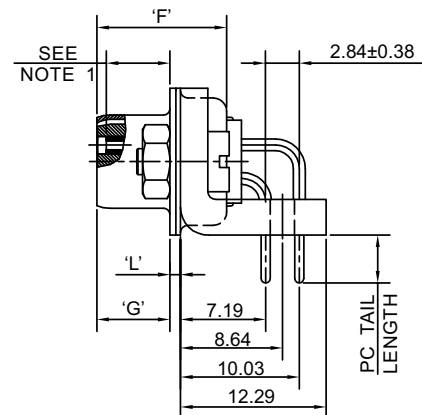
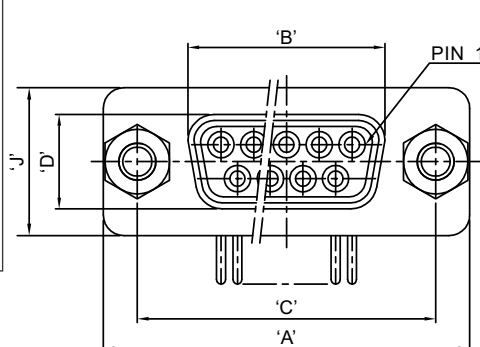
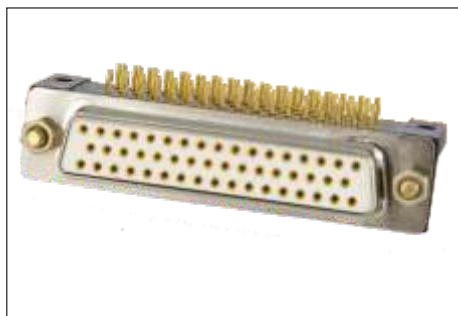
| Sr. No. | Military Designation | Manufacturers Designation | No. of Pins | Shell Details | Marking On The Connector |
|---------|----------------------|---------------------------|--------------|---------------|--------------------------|
| 1 | M24308/24-201F | M2000/24-201F | Standard | 9 | M24308/24-201F |
| 2 | M24308/24-202F | M2000/24-202F | Standard | 15 | M24308/24-202F |
| 3 | M24308/24-203F | M2000/24-203F | Standard | 25 | M24308/24-203F |
| 4 | M24308/24-204F | M2000/24-204F | Standard | 37 | M24308/24-204F |
| 5 | M24308/24-205F | M2000/24-205F | Standard | 50 | M24308/24-205F |
| 6 | M24308/24-207F | M2000/24-207F | Standard | 9 | M24308/24-207F |
| 7 | M24308/24-208F | M2000/24-208F | Standard | 15 | M24308/24-208F |
| 8 | M24308/24-209F | M2000/24-209F | Standard | 25 | M24308/24-209F |
| 9 | M24308/24-210F | M2000/24-210F | Standard | 37 | M24308/24-210F |
| 10 | M24308/24-211F | M2000/24-211F | Standard | 50 | M24308/24-211F |
| 11 | M24308/24-213F | M2000/24-213F | Standard | 9 | M24308/24-213F |
| 12 | M24308/24-214F | M2000/24-214F | Standard | 15 | M24308/24-214F |
| 13 | M24308/24-215F | M2000/24-215F | Standard | 25 | M24308/24-215F |
| 14 | M24308/24-216F | M2000/24-216F | Standard | 37 | M24308/24-216F |
| 15 | M24308/24-217F | M2000/24-217F | Standard | 50 | M24308/24-217F |
| 16 | M24308/24-219F | M2000/24-219F | Standard | 9 | M24308/24-219F |
| 17 | M24308/24-220F | M2000/24-220F | Standard | 15 | M24308/24-220F |
| 18 | M24308/24-221F | M2000/24-221F | Standard | 25 | M24308/24-221F |
| 19 | M24308/24-222F | M2000/24-222F | Standard | 37 | M24308/24-222F |
| 20 | M24308/24-223F | M2000/24-223F | Standard | 50 | M24308/24-223F |
| 21 | M24308/24-261F | M2000/24-261F | High Density | 15 | M24308/24-261F |
| 22 | M24308/24-262F | M2000/24-262F | High Density | 26 | M24308/24-262F |
| 23 | M24308/24-263F | M2000/24-263F | High Density | 44 | M24308/24-263F |
| 24 | M24308/24-264F | M2000/24-264F | High Density | 62 | M24308/24-264F |
| 25 | M24308/24-265F | M2000/24-265F | High Density | 78 | M24308/24-265F |
| 26 | M24308/24-267F | M2000/24-267F | High Density | 15 | M24308/24-267F |
| 27 | M24308/24-268F | M2000/24-268F | High Density | 26 | M24308/24-268F |
| 28 | M24308/24-269F | M2000/24-269F | High Density | 44 | M24308/24-269F |
| 29 | M24308/24-270F | M2000/24-270F | High Density | 62 | M24308/24-270F |
| 30 | M24308/24-271F | M2000/24-271F | High Density | 78 | M24308/24-271F |

Straight PC Tail Plug Contact Connector (With Non-Magnetic Shell)

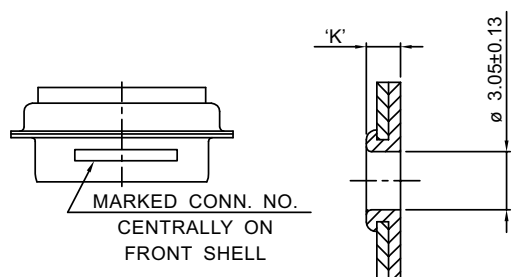
| Sr. No. | Military Designation | Manufacturers Designation | No. of Pins | Shell Details | Marking On The Connector |
|---------|----------------------|---------------------------|--------------|---------------|--------------------------|
| 31 | M24308/24-201Z | M2000/24-201Z | Standard | 9 | M24308/24-201Z |
| 32 | M24308/24-202Z | M2000/24-202Z | Standard | 15 | M24308/24-202Z |
| 33 | M24308/24-203Z | M2000/24-203Z | Standard | 25 | M24308/24-203Z |
| 34 | M24308/24-204Z | M2000/24-204Z | Standard | 37 | M24308/24-204Z |
| 35 | M24308/24-205Z | M2000/24-205Z | Standard | 50 | M24308/24-205Z |
| 36 | M24308/24-207Z | M2000/24-207Z | Standard | 9 | M24308/24-207Z |
| 37 | M24308/24-208Z | M2000/24-208Z | Standard | 15 | M24308/24-208Z |
| 38 | M24308/24-209Z | M2000/24-209Z | Standard | 25 | M24308/24-209Z |
| 39 | M24308/24-210Z | M2000/24-210Z | Standard | 37 | M24308/24-210Z |
| 40 | M24308/24-211Z | M2000/24-211Z | Standard | 50 | M24308/24-211Z |
| 41 | M24308/24-213Z | M2000/24-213Z | Standard | 9 | M24308/24-213Z |
| 42 | M24308/24-214Z | M2000/24-214Z | Standard | 15 | M24308/24-214Z |
| 43 | M24308/24-215Z | M2000/24-215Z | Standard | 25 | M24308/24-215Z |
| 44 | M24308/24-216Z | M2000/24-216Z | Standard | 37 | M24308/24-216Z |
| 45 | M24308/24-217Z | M2000/24-217Z | Standard | 50 | M24308/24-217Z |
| 46 | M24308/24-219Z | M2000/24-219Z | Standard | 9 | M24308/24-219Z |
| 47 | M24308/24-220Z | M2000/24-220Z | Standard | 15 | M24308/24-220Z |
| 48 | M24308/24-221Z | M2000/24-221Z | Standard | 25 | M24308/24-221Z |
| 49 | M24308/24-222Z | M2000/24-222Z | Standard | 37 | M24308/24-222Z |
| 50 | M24308/24-223Z | M2000/24-223Z | Standard | 50 | M24308/24-223Z |
| 51 | M24308/24-261Z | M2000/24-261Z | High Density | 15 | M24308/24-261Z |
| 52 | M24308/24-262Z | M2000/24-262Z | High Density | 26 | M24308/24-262Z |
| 53 | M24308/24-263Z | M2000/24-263Z | High Density | 44 | M24308/24-263Z |
| 54 | M24308/24-264Z | M2000/24-264Z | High Density | 62 | M24308/24-264Z |
| 55 | M24308/24-265Z | M2000/24-265Z | High Density | 78 | M24308/24-265Z |
| 56 | M24308/24-267Z | M2000/24-267Z | High Density | 15 | M24308/24-267Z |
| 57 | M24308/24-268Z | M2000/24-268Z | High Density | 26 | M24308/24-268Z |
| 58 | M24308/24-269Z | M2000/24-269Z | High Density | 44 | M24308/24-269Z |
| 59 | M24308/24-270Z | M2000/24-270Z | High Density | 62 | M24308/24-270Z |
| 60 | M24308/24-271Z | M2000/24-271Z | High Density | 78 | M24308/24-271Z |

| Sr. No. | Military Designation | Manufacturers Designation | No. of Pins | Shell Details | Marking On The Connector |
|---------|----------------------|---------------------------|--------------|---------------|--------------------------|
| 1 | M24308/24-101 | M24308/24-101 | Standard | 9 | M24308/24-101 |
| 2 | M24308/24-102 | M24308/24-102 | Standard | 15 | M24308/24-102 |
| 3 | M24308/24-103 | M24308/24-103 | Standard | 25 | M24308/24-103 |
| 4 | M24308/24-104 | M24308/24-104 | Standard | 37 | M24308/24-104 |
| 5 | M24308/24-105 | M24308/24-105 | Standard | 50 | M24308/24-105 |
| 6 | M24308/24-107 | M24308/24-107 | Standard | 9 | M24308/24-107 |
| 7 | M24308/24-108 | M24308/24-108 | Standard | 15 | M24308/24-108 |
| 8 | M24308/24-109 | M24308/24-109 | Standard | 25 | M24308/24-109 |
| 9 | M24308/24-110 | M24308/24-110 | Standard | 37 | M24308/24-110 |
| 10 | M24308/24-111 | M24308/24-111 | Standard | 50 | M24308/24-111 |
| 11 | M24308/24-113 | M24308/24-113 | Standard | 9 | M24308/24-113 |
| 12 | M24308/24-114 | M24308/24-114 | Standard | 15 | M24308/24-114 |
| 13 | M24308/24-115 | M24308/24-115 | Standard | 25 | M24308/24-115 |
| 14 | M24308/24-116 | M24308/24-116 | Standard | 37 | M24308/24-116 |
| 15 | M24308/24-117 | M24308/24-117 | Standard | 50 | M24308/24-117 |
| 16 | M24308/24-119 | M24308/24-119 | Standard | 9 | M24308/24-119 |
| 17 | M24308/24-120 | M24308/24-120 | Standard | 15 | M24308/24-120 |
| 18 | M24308/24-121 | M24308/24-121 | Standard | 25 | M24308/24-121 |
| 19 | M24308/24-122 | M24308/24-122 | Standard | 37 | M24308/24-122 |
| 20 | M24308/24-123 | M24308/24-123 | Standard | 50 | M24308/24-123 |
| 21 | M24308/24-161 | M24308/24-161 | High Density | 15 | M24308/24-161 |
| 22 | M24308/24-162 | M24308/24-162 | High Density | 26 | M24308/24-162 |
| 23 | M24308/24-163 | M24308/24-163 | High Density | 44 | M24308/24-163 |
| 24 | M24308/24-164 | M24308/24-164 | High Density | 62 | M24308/24-164 |
| 25 | M24308/24-165 | M24308/24-165 | High Density | 78 | M24308/24-165 |
| 26 | M24308/24-167 | M24308/24-167 | High Density | 15 | M24308/24-167 |
| 27 | M24308/24-168 | M24308/24-168 | High Density | 26 | M24308/24-168 |
| 28 | M24308/24-169 | M24308/24-169 | High Density | 44 | M24308/24-169 |
| 29 | M24308/24-170 | M24308/24-170 | High Density | 62 | M24308/24-170 |
| 30 | M24308/24-171 | M24308/24-171 | High Density | 78 | M24308/24-171 |

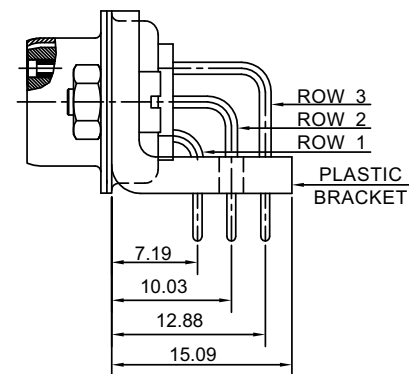
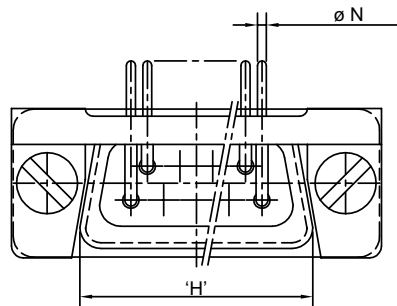
Standard Density Right Angle PC Tail Type Socket Contact Connector



09 TO 37 PIN



STD-THROUGH HOLE.



50 PIN (3 ROWS)

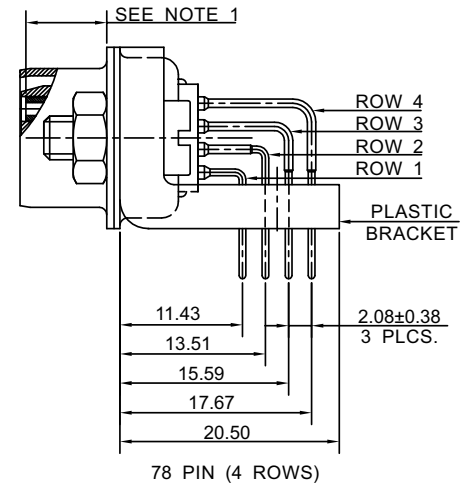
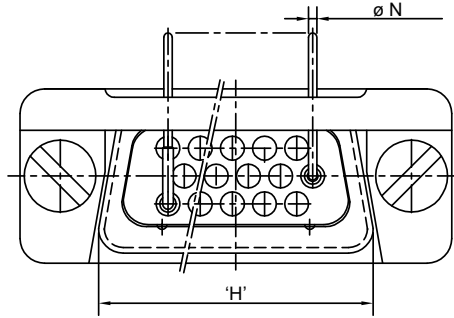
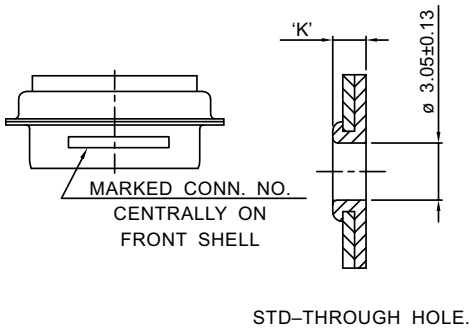
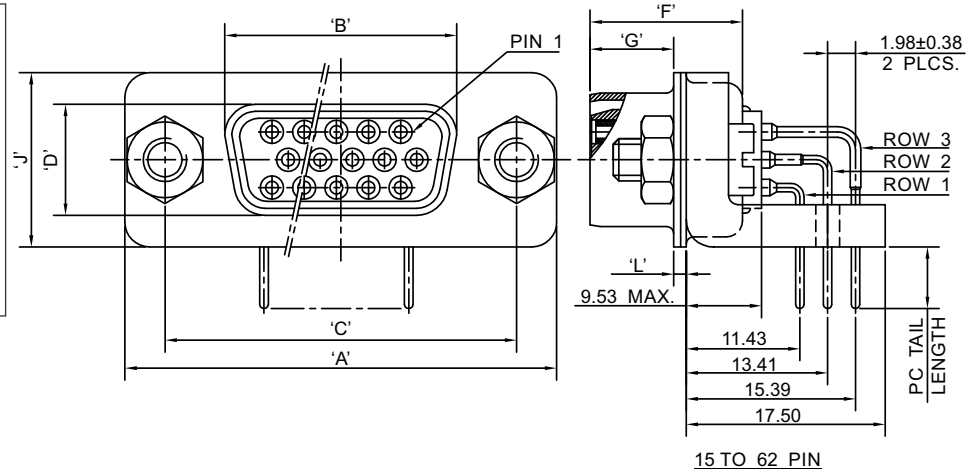
DIMENSION TABLE :-

| SHELL SIZE | STANDARD DENSITY NO. OF PINS | 'A' | 'B' | 'C' | 'D' | 'E' | 'F' | 'G' | 'H' | 'J' | 'K' | 'L' | PC TAIL LENGTH | | |
|------------|------------------------------|-------|-------|-------|-------|-------|-------|------|-------|-------|------|------|----------------|------|------|
| | | | | | | | | | | | | | 'X' | 'Y' | 'Z' |
| 1 | 09 | 31.19 | 16.46 | 25.12 | 8.03 | 12.93 | 11.15 | 6.30 | 19.53 | 10.97 | 1.52 | 1.02 | | | |
| | | 30.43 | 16.21 | 24.87 | 7.77 | 12.17 | 10.64 | 6.05 | 19.02 | 10.46 | 0.89 | 0.51 | | | |
| 2 | 15 | 39.52 | 24.79 | 33.45 | 8.03 | 12.93 | 11.15 | 6.30 | 27.76 | 10.97 | 1.52 | 1.02 | | | |
| | | 38.76 | 24.54 | 33.20 | 7.77 | 12.17 | 10.64 | 6.05 | 27.25 | 10.46 | 0.89 | 0.51 | | | |
| 3 | 25 | 53.42 | 38.51 | 47.17 | 8.03 | 12.93 | 11.15 | 6.30 | 41.53 | 10.97 | 1.52 | 1.24 | 4.70 | 5.33 | 3.91 |
| | | 52.65 | 38.25 | 46.91 | 7.77 | 12.17 | 10.64 | 6.05 | 41.02 | 10.46 | 0.89 | 0.74 | | | |
| 4 | 37 | 69.70 | 54.97 | 63.63 | 8.03 | 12.93 | 11.15 | 6.30 | 57.96 | 10.97 | 1.52 | 1.24 | | | |
| | | 68.94 | 54.71 | 63.37 | 7.77 | 12.17 | 10.64 | 6.05 | 57.45 | 10.46 | 0.89 | 0.74 | | | |
| 5 | 50 | 67.31 | 52.55 | 61.24 | 10.87 | 15.75 | 11.15 | 6.30 | 55.58 | 13.82 | 1.52 | 1.24 | | | |
| | | 66.55 | 52.30 | 60.99 | 10.62 | 14.99 | 10.64 | 6.05 | 55.07 | 13.31 | 0.89 | 0.74 | | | |

NOTE :-

1. DIMENSION ARE 3.63MM MINIMUM (FOR SIZE 1,2,3,4,5)
2. SCREW & NUT IS USE ONLY FOR TRANSPORTATION PURPOSE.

High Density Right Angle PC Tail Type Connector Socket Contact Connector



DIMENSION TABLE :-

| SHELL SIZE | STANDARD DENSITY NO. OF PINS | 'A' | 'B' | 'C' | 'D' | 'E' | 'F' | 'G' | 'H' | 'J' | 'K' | 'L' | PC TAIL LENGTH |
|------------|------------------------------|-------|-------|-------|-------|-------|-------|------|-------|-------|------|------|----------------|
| | | | | | | | | | | | | | 'X' |
| 1 | 15 | 31.19 | 16.46 | 25.12 | 8.03 | 12.93 | 11.15 | 6.30 | 19.53 | 10.97 | 1.52 | 1.02 | 3.91 2.51 |
| | | 30.43 | 16.21 | 24.87 | 7.77 | 12.17 | 10.64 | 6.05 | 19.02 | 10.46 | 0.89 | 0.51 | |
| 2 | 26 | 39.52 | 24.79 | 33.45 | 8.03 | 12.93 | 11.15 | 6.30 | 27.76 | 10.97 | 1.52 | 1.02 | |
| | | 38.76 | 24.54 | 33.20 | 7.77 | 12.17 | 10.64 | 6.05 | 27.25 | 10.46 | 0.89 | 0.51 | |
| 3 | 44 | 53.42 | 38.51 | 47.17 | 8.03 | 12.93 | 11.15 | 6.30 | 41.53 | 10.97 | 1.52 | 1.24 | |
| | | 52.65 | 38.25 | 46.91 | 7.77 | 12.17 | 10.64 | 6.05 | 41.02 | 10.46 | 0.89 | 0.74 | |
| 4 | 62 | 69.70 | 54.97 | 63.63 | 8.03 | 12.93 | 11.15 | 6.30 | 57.96 | 10.97 | 1.52 | 1.24 | |
| | | 68.94 | 54.71 | 63.37 | 7.77 | 12.17 | 10.64 | 6.05 | 57.45 | 10.46 | 0.89 | 0.74 | |
| 5 | 78 | 67.31 | 52.55 | 61.24 | 10.87 | 15.75 | 11.15 | 6.30 | 55.58 | 13.82 | 1.52 | 1.24 | |
| | | 66.55 | 52.30 | 60.99 | 10.62 | 14.99 | 10.64 | 6.05 | 55.07 | 13.31 | 0.89 | 0.74 | |

NOTE :-

1. DIMENSION ARE 3.63MM MINIMUM (FOR SIZE 1,2,3,4,5)
2. SCREW & NUT IS USE ONLY FOR TRANSPORTATION PURPOSE.

| Application Dash Number | Application Board Thickness | Nominal Pin Diameter | PC Tail Length | Pin Diameter (N) |
|--------------------------------------|-----------------------------|----------------------|--------------------|--------------------|
| M24308/23-1 Through M24308/23-5 | 2.39 mm | 0.76 mm | 4.70 mm 3.30 mm | 0.84 mm 0.69 mm |
| M24308/23-7 Through M24308/23-11 | 3.18 mm | 0.76 mm | 5.33 mm 3.94 mm | 0.84 mm 0.69 mm |
| M24308/23-13 Through M24308/23-17 | 2.39 mm | 1.02 mm | 4.70 mm 3.30 mm | 1.09 mm 0.94 mm |
| M24308/23-19 Through M24308/23-23 | 3.18 mm | 1.02 mm | 5.33 mm 3.94 mm | 1.09 mm 0.94 mm |
| M24308/23-25 Through M24308/23-29 | 1.57 mm | 0.76 mm | 3.91 mm 2.51 mm | 0.84 mm 0.69 mm |
| M24308/23-31 Through M24308/23-35 | 2.39 mm | 0.76 mm | 4.70 mm 3.30 mm | 0.84 mm 0.69 mm |
| M24308/23-37 Through M24308/23-41 | 1.57 mm | 1.02 mm | 3.91 mm 2.51 mm | 1.09 mm 0.94 mm |
| M24308/23-43 Through M24308/23-47 | 2.39 mm | 1.02 mm | 4.70 mm 3.30 mm | 1.09 mm 0.94 mm |
| M24308/23-49 Through M24308/23-53 | 3.18 mm | 0.76 mm | 5.33 mm 3.94 mm | 0.84 mm 0.69 mm |
| M24308/23-55 Through M24308/23-59 | 3.18 mm | 1.02 mm | 5.33 mm 3.94 mm | 1.09 mm 0.94 mm |
| M24308/23-61 Through M24308/23-65 | 2.39 mm | 0.51 mm | 4.70 mm 3.30 mm | 0.58 mm 0.43 mm |
| M24308/23-67 Through M24308/23-71 | 3.18 mm | 0.51 mm | 8.13 mm 6.99 mm | 0.58 mm 0.43 mm |
| M24308/23-73 Through M24308/23-77 | 1.57 mm | 0.51 mm | 3.91 mm 2.51 mm | 0.58 mm 0.43 mm |

| Sr. No. | Military Designation | Manufacturers Designation | No. of Pins | Shell Details | Marking On The Connector |
|---------|----------------------|---------------------------|--------------|---------------|--------------------------|
| 1 | M24308/23-25F | M2000/23-25F | Standard | 9 | M24308/23-25F |
| 2 | M24308/23-26F | M2000/23-26F | Standard | 15 | M24308/23-26F |
| 3 | M24308/23-27F | M2000/23-27F | Standard | 25 | M24308/23-27F |
| 4 | M24308/23-28F | M2000/23-28F | Standard | 37 | M24308/23-28F |
| 5 | M24308/23-29F | M2000/23-29F | Standard | 50 | M24308/23-29F |
| 6 | M24308/23-31F | M2000/23-31F | Standard | 9 | M24308/23-31F |
| 7 | M24308/23-32F | M2000/23-32F | Standard | 15 | M24308/23-32F |
| 8 | M24308/23-33F | M2000/23-33F | Standard | 25 | M24308/23-33F |
| 9 | M24308/23-34F | M2000/23-34F | Standard | 37 | M24308/23-34F |
| 10 | M24308/23-35F | M2000/23-35F | Standard | 50 | M24308/23-35F |
| 11 | M24308/23-37F | M2000/23-37F | Standard | 9 | M24308/23-37F |
| 12 | M24308/23-38F | M2000/23-38F | Standard | 15 | M24308/23-38F |
| 13 | M24308/23-39F | M2000/23-39F | Standard | 25 | M24308/23-39F |
| 14 | M24308/23-40F | M2000/23-40F | Standard | 37 | M24308/23-40F |
| 15 | M24308/23-41F | M2000/23-41F | Standard | 50 | M24308/23-41F |
| 16 | M24308/23-43F | M2000/23-43F | Standard | 9 | M24308/23-43F |
| 17 | M24308/23-44F | M2000/23-44F | Standard | 15 | M24308/23-44F |
| 18 | M24308/23-45F | M2000/23-45F | Standard | 25 | M24308/23-45F |
| 19 | M24308/23-46F | M2000/23-46F | Standard | 37 | M24308/23-46F |
| 20 | M24308/23-47F | M2000/23-47F | Standard | 50 | M24308/23-47F |
| 21 | M24308/23-49F | M2000/23-49F | Standard | 9 | M24308/23-49F |
| 22 | M24308/23-50F | M2000/23-50F | Standard | 15 | M24308/23-50F |
| 23 | M24308/23-51F | M2000/23-51F | Standard | 25 | M24308/23-51F |
| 24 | M24308/23-52F | M2000/23-52F | Standard | 37 | M24308/23-52F |
| 25 | M24308/23-53F | M2000/23-53F | Standard | 50 | M24308/23-53F |
| 26 | M24308/23-55F | M2000/23-55F | Standard | 9 | M24308/23-55F |
| 27 | M24308/23-56F | M2000/23-56F | Standard | 15 | M24308/23-56F |
| 28 | M24308/23-57F | M2000/23-57F | Standard | 25 | M24308/23-57F |
| 29 | M24308/23-58F | M2000/23-58F | Standard | 37 | M24308/23-58F |
| 30 | M24308/23-59F | M2000/23-59F | Standard | 50 | M24308/23-59F |
| 31 | M24308/23-73F | M2000/23-73F | High Density | 15 | M24308/23-73F |
| 32 | M24308/23-74F | M2000/23-74F | High Density | 26 | M24308/23-74F |
| 33 | M24308/23-75F | M2000/23-75F | High Density | 44 | M24308/23-75F |
| 34 | M24308/23-76F | M2000/23-76F | High Density | 62 | M24308/23-76F |
| 35 | M24308/23-77F | M2000/23-77F | High Density | 78 | M24308/23-77F |

| Sr. No. | Military Designation | Manufacturers Designation | No. of Pins | Shell Details | Marking On The Connector |
|---------|----------------------|---------------------------|--------------|---------------|--------------------------|
| 36 | M24308/23-25Z | M2000/23-25Z | Standard | 9 | M24308/23-25Z |
| 37 | M24308/23-26Z | M2000/23-26Z | Standard | 15 | M24308/23-26Z |
| 38 | M24308/23-27Z | M2000/23-27Z | Standard | 25 | M24308/23-27Z |
| 39 | M24308/23-28Z | M2000/23-28Z | Standard | 37 | M24308/23-28Z |
| 40 | M24308/23-29Z | M2000/23-29Z | Standard | 50 | M24308/23-29Z |
| 41 | M24308/23-31Z | M2000/23-31Z | Standard | 9 | M24308/23-31Z |
| 42 | M24308/23-32Z | M2000/23-32Z | Standard | 15 | M24308/23-32Z |
| 43 | M24308/23-33Z | M2000/23-33Z | Standard | 25 | M24308/23-33Z |
| 44 | M24308/23-34Z | M2000/23-34Z | Standard | 37 | M24308/23-34Z |
| 45 | M24308/23-35Z | M2000/23-35Z | Standard | 50 | M24308/23-35Z |
| 46 | M24308/23-37Z | M2000/23-37Z | Standard | 9 | M24308/23-37Z |
| 47 | M24308/23-38Z | M2000/23-38Z | Standard | 15 | M24308/23-38Z |
| 48 | M24308/23-39Z | M2000/23-39Z | Standard | 25 | M24308/23-39Z |
| 49 | M24308/23-40Z | M2000/23-40Z | Standard | 37 | M24308/23-40Z |
| 50 | M24308/23-41Z | M2000/23-41Z | Standard | 50 | M24308/23-41Z |
| 51 | M24308/23-43Z | M2000/23-43Z | Standard | 9 | M24308/23-43Z |
| 52 | M24308/23-44Z | M2000/23-44Z | Standard | 15 | M24308/23-44Z |
| 53 | M24308/23-45Z | M2000/23-45Z | Standard | 25 | M24308/23-45Z |
| 54 | M24308/23-46Z | M2000/23-46Z | Standard | 37 | M24308/23-46Z |
| 55 | M24308/23-47Z | M2000/23-47Z | Standard | 50 | M24308/23-47Z |
| 56 | M24308/23-49Z | M2000/23-49Z | Standard | 9 | M24308/23-49Z |
| 57 | M24308/23-50Z | M2000/23-50Z | Standard | 15 | M24308/23-50Z |
| 58 | M24308/23-51Z | M2000/23-51Z | Standard | 25 | M24308/23-51Z |
| 59 | M24308/23-52Z | M2000/23-52Z | Standard | 37 | M24308/23-52Z |
| 60 | M24308/23-53Z | M2000/23-53Z | Standard | 50 | M24308/23-53Z |
| 61 | M24308/23-55Z | M2000/23-55Z | Standard | 9 | M24308/23-55Z |
| 62 | M24308/23-56Z | M2000/23-56Z | Standard | 15 | M24308/23-56Z |
| 63 | M24308/23-57Z | M2000/23-57Z | Standard | 25 | M24308/23-57Z |
| 64 | M24308/23-58Z | M2000/23-58Z | Standard | 37 | M24308/23-58Z |
| 65 | M24308/23-59Z | M2000/23-59Z | Standard | 50 | M24308/23-59Z |
| 66 | M24308/23-73Z | M2000/23-73Z | High Density | 15 | M24308/23-73Z |
| 67 | M24308/23-74Z | M2000/23-74Z | High Density | 26 | M24308/23-74Z |
| 68 | M24308/23-75Z | M2000/23-75Z | High Density | 44 | M24308/23-75Z |
| 69 | M24308/23-76Z | M2000/23-76Z | High Density | 62 | M24308/23-76Z |
| 70 | M24308/23-77Z | M2000/23-77Z | High Density | 78 | M24308/23-77Z |

| Sr. No. | Military Designation | Manufacturers Designation | No. of Pins | Shell Details | Marking On The Connector |
|---------|----------------------|---------------------------|--------------|---------------|--------------------------|
| 71 | M24308/23-25K | M2000/23-25K | Standard | 9 | M24308/23-25K |
| 72 | M24308/23-26K | M2000/23-26K | Standard | 15 | M24308/23-26K |
| 73 | M24308/23-27K | M2000/23-27K | Standard | 25 | M24308/23-27K |
| 74 | M24308/23-28K | M2000/23-28K | Standard | 37 | M24308/23-28K |
| 75 | M24308/23-29K | M2000/23-29K | Standard | 50 | M24308/23-29K |
| 76 | M24308/23-31K | M2000/23-31K | Standard | 9 | M24308/23-31K |
| 77 | M24308/23-32K | M2000/23-32K | Standard | 15 | M24308/23-32K |
| 78 | M24308/23-33K | M2000/23-33K | Standard | 25 | M24308/23-33K |
| 79 | M24308/23-34K | M2000/23-34K | Standard | 37 | M24308/23-34K |
| 80 | M24308/23-35K | M2000/23-35K | Standard | 50 | M24308/23-35K |
| 81 | M24308/23-37K | M2000/23-37K | Standard | 9 | M24308/23-37K |
| 82 | M24308/23-38K | M2000/23-38K | Standard | 15 | M24308/23-38K |
| 83 | M24308/23-39K | M2000/23-39K | Standard | 25 | M24308/23-39K |
| 84 | M24308/23-40K | M2000/23-40K | Standard | 37 | M24308/23-40K |
| 85 | M24308/23-41K | M2000/23-41K | Standard | 50 | M24308/23-41K |
| 86 | M24308/23-43K | M2000/23-43K | Standard | 9 | M24308/23-43K |
| 87 | M24308/23-44K | M2000/23-44K | Standard | 15 | M24308/23-44K |
| 88 | M24308/23-45K | M2000/23-45K | Standard | 25 | M24308/23-45K |
| 89 | M24308/23-46K | M2000/23-46K | Standard | 37 | M24308/23-46K |
| 90 | M24308/23-47K | M2000/23-47K | Standard | 50 | M24308/23-47K |
| 91 | M24308/23-49K | M2000/23-49K | Standard | 9 | M24308/23-49K |
| 92 | M24308/23-50K | M2000/23-50K | Standard | 15 | M24308/23-50K |
| 93 | M24308/23-51K | M2000/23-51K | Standard | 25 | M24308/23-51K |
| 94 | M24308/23-52K | M2000/23-52K | Standard | 37 | M24308/23-52K |
| 95 | M24308/23-53K | M2000/23-53K | Standard | 50 | M24308/23-53K |
| 96 | M24308/23-55K | M2000/23-55K | Standard | 9 | M24308/23-55K |
| 97 | M24308/23-56K | M2000/23-56K | Standard | 15 | M24308/23-56K |
| 98 | M24308/23-57K | M2000/23-57K | Standard | 25 | M24308/23-57K |
| 99 | M24308/23-58K | M2000/23-58K | Standard | 37 | M24308/23-58K |
| 100 | M24308/23-59K | M2000/23-59K | Standard | 50 | M24308/23-59K |
| 101 | M24308/23-73K | M2000/23-73K | High Density | 15 | M24308/23-73K |
| 102 | M24308/23-74K | M2000/23-74K | High Density | 26 | M24308/23-74K |
| 103 | M24308/23-75K | M2000/23-75K | High Density | 44 | M24308/23-75K |
| 104 | M24308/23-76K | M2000/23-76K | High Density | 62 | M24308/23-76K |
| 105 | M24308/23-77K | M2000/23-77K | High Density | 78 | M24308/23-77K |

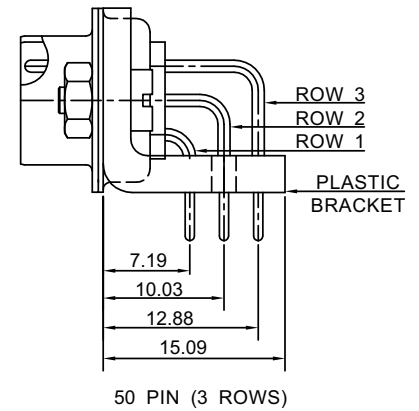
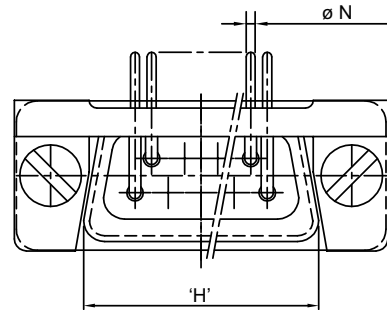
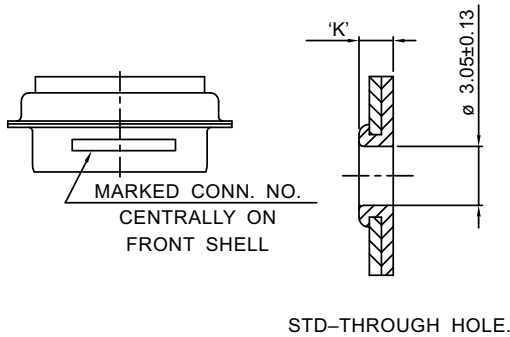
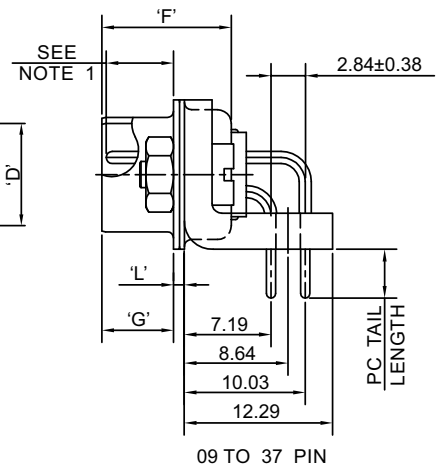
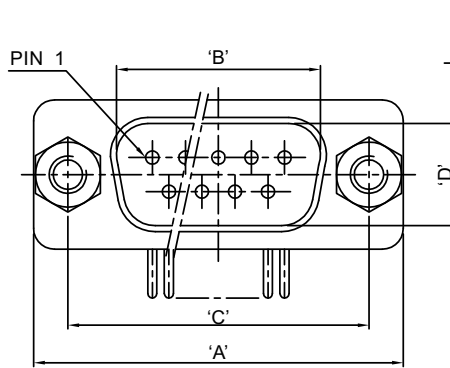
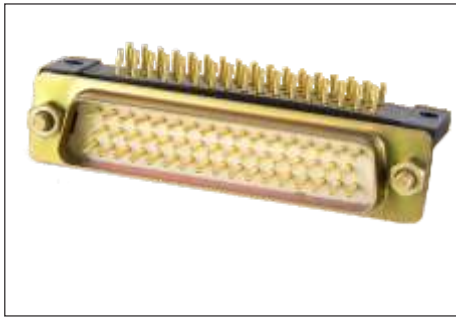
| Sr. No. | Military Designation | Manufacturers Designation | No. of Pins | Shell Details | Marking On The Connector |
|---------|----------------------|---------------------------|--------------|---------------|--------------------------|
| 1 | M24308/23-325 | M24308/23-325 | Standard | 9 | M24308/23-325 |
| 2 | M24308/23-326 | M24308/23-326 | Standard | 15 | M24308/23-326 |
| 3 | M24308/23-327 | M24308/23-327 | Standard | 25 | M24308/23-327 |
| 4 | M24308/23-328 | M24308/23-328 | Standard | 37 | M24308/23-328 |
| 5 | M24308/23-329 | M24308/23-329 | Standard | 50 | M24308/23-329 |
| 6 | M24308/23-331 | M24308/23-331 | Standard | 9 | M24308/23-331 |
| 7 | M24308/23-332 | M24308/23-332 | Standard | 15 | M24308/23-332 |
| 8 | M24308/23-333 | M24308/23-333 | Standard | 25 | M24308/23-333 |
| 9 | M24308/23-334 | M24308/23-334 | Standard | 37 | M24308/23-334 |
| 10 | M24308/23-335 | M24308/23-335 | Standard | 50 | M24308/23-335 |
| 11 | M24308/23-337 | M24308/23-337 | Standard | 9 | M24308/23-337 |
| 12 | M24308/23-338 | M24308/23-338 | Standard | 15 | M24308/23-338 |
| 13 | M24308/23-339 | M24308/23-339 | Standard | 25 | M24308/23-339 |
| 14 | M24308/23-340 | M24308/23-340 | Standard | 37 | M24308/23-340 |
| 15 | M24308/23-341 | M24308/23-341 | Standard | 50 | M24308/23-341 |
| 16 | M24308/23-343 | M24308/23-343 | Standard | 9 | M24308/23-343 |
| 17 | M24308/23-344 | M24308/23-344 | Standard | 15 | M24308/23-344 |
| 18 | M24308/23-345 | M24308/23-345 | Standard | 25 | M24308/23-345 |
| 19 | M24308/23-346 | M24308/23-346 | Standard | 37 | M24308/23-346 |
| 20 | M24308/23-347 | M24308/23-347 | Standard | 50 | M24308/23-347 |
| 21 | M24308/23-349 | M24308/23-349 | Standard | 9 | M24308/23-349 |
| 22 | M24308/23-350 | M24308/23-350 | Standard | 15 | M24308/23-350 |
| 23 | M24308/23-351 | M24308/23-351 | Standard | 25 | M24308/23-351 |
| 24 | M24308/23-352 | M24308/23-352 | Standard | 37 | M24308/23-352 |
| 25 | M24308/23-353 | M24308/23-353 | Standard | 50 | M24308/23-353 |
| 26 | M24308/23-355 | M24308/23-355 | Standard | 9 | M24308/23-355 |
| 27 | M24308/23-356 | M24308/23-356 | Standard | 15 | M24308/23-356 |
| 28 | M24308/23-357 | M24308/23-357 | Standard | 25 | M24308/23-357 |
| 29 | M24308/23-358 | M24308/23-358 | Standard | 37 | M24308/23-358 |
| 30 | M24308/23-359 | M24308/23-359 | Standard | 50 | M24308/23-359 |
| 31 | M24308/23-373 | M24308/23-373 | High Density | 15 | M24308/23-373 |
| 32 | M24308/23-374 | M24308/23-374 | High Density | 26 | M24308/23-374 |
| 33 | M24308/23-375 | M24308/23-375 | High Density | 44 | M24308/23-375 |
| 34 | M24308/23-376 | M24308/23-376 | High Density | 62 | M24308/23-376 |
| 35 | M24308/23-377 | M24308/23-377 | High Density | 78 | M24308/23-377 |

| Sr. No. | Military Designation | Manufacturers Designation | No. of Pins | Shell Details | Marking On The Connector |
|---------|----------------------|---------------------------|--------------|---------------|--------------------------|
| 1 | M24308/23-225F | M2000/23-225F | Standard | 9 | M24308/23-225F |
| 2 | M24308/23-226F | M2000/23-226F | Standard | 15 | M24308/23-226F |
| 3 | M24308/23-227F | M2000/23-227F | Standard | 25 | M24308/23-227F |
| 4 | M24308/23-228F | M2000/23-228F | Standard | 37 | M24308/23-228F |
| 5 | M24308/23-229F | M2000/23-229F | Standard | 50 | M24308/23-229F |
| 6 | M24308/23-231F | M2000/23-231F | Standard | 9 | M24308/23-231F |
| 7 | M24308/23-232F | M2000/23-232F | Standard | 15 | M24308/23-232F |
| 8 | M24308/23-233F | M2000/23-233F | Standard | 25 | M24308/23-233F |
| 9 | M24308/23-234F | M2000/23-234F | Standard | 37 | M24308/23-234F |
| 10 | M24308/23-235F | M2000/23-235F | Standard | 50 | M24308/23-235F |
| 11 | M24308/23-237F | M2000/23-237F | Standard | 9 | M24308/23-237F |
| 12 | M24308/23-238F | M2000/23-238F | Standard | 15 | M24308/23-238F |
| 13 | M24308/23-239F | M2000/23-239F | Standard | 25 | M24308/23-239F |
| 14 | M24308/23-240F | M2000/23-240F | Standard | 37 | M24308/23-240F |
| 15 | M24308/23-241F | M2000/23-241F | Standard | 50 | M24308/23-241F |
| 16 | M24308/23-243F | M2000/23-243F | Standard | 9 | M24308/23-243F |
| 17 | M24308/23-244F | M2000/23-244F | Standard | 15 | M24308/23-244F |
| 18 | M24308/23-245F | M2000/23-245F | Standard | 25 | M24308/23-245F |
| 19 | M24308/23-246F | M2000/23-246F | Standard | 37 | M24308/23-246F |
| 20 | M24308/23-247F | M2000/23-247F | Standard | 50 | M24308/23-247F |
| 21 | M24308/23-249F | M2000/23-249F | Standard | 9 | M24308/23-249F |
| 22 | M24308/23-250F | M2000/23-250F | Standard | 15 | M24308/23-250F |
| 23 | M24308/23-251F | M2000/23-251F | Standard | 25 | M24308/23-251F |
| 24 | M24308/23-252F | M2000/23-252F | Standard | 37 | M24308/23-252F |
| 25 | M24308/23-253F | M2000/23-253F | Standard | 50 | M24308/23-253F |
| 26 | M24308/23-255F | M2000/23-255F | Standard | 9 | M24308/23-255F |
| 27 | M24308/23-256F | M2000/23-256F | Standard | 15 | M24308/23-256F |
| 28 | M24308/23-257F | M2000/23-257F | Standard | 25 | M24308/23-257F |
| 29 | M24308/23-258F | M2000/23-258F | Standard | 37 | M24308/23-258F |
| 30 | M24308/23-259F | M2000/23-259F | Standard | 50 | M24308/23-259F |
| 31 | M24308/23-273F | M2000/23-273F | High Density | 15 | M24308/23-273F |
| 32 | M24308/23-274F | M2000/23-274F | High Density | 26 | M24308/23-274F |
| 33 | M24308/23-275F | M2000/23-275F | High Density | 44 | M24308/23-275F |
| 34 | M24308/23-276F | M2000/23-276F | High Density | 62 | M24308/23-276F |
| 35 | M24308/23-277F | M2000/23-277F | High Density | 78 | M24308/23-277F |

| Sr. No. | Military Designation | Manufacturers Designation | No. of Pins | Shell Details | Marking On The Connector |
|---------|----------------------|---------------------------|--------------|---------------|--------------------------|
| 36 | M24308/23-225Z | M2000/23-225Z | Standard | 9 | M24308/23-225Z |
| 37 | M24308/23-226Z | M2000/23-226Z | Standard | 15 | M24308/23-226Z |
| 38 | M24308/23-227Z | M2000/23-227Z | Standard | 25 | M24308/23-227Z |
| 39 | M24308/23-228Z | M2000/23-228Z | Standard | 37 | M24308/23-228Z |
| 40 | M24308/23-229Z | M2000/23-229Z | Standard | 50 | M24308/23-229Z |
| 41 | M24308/23-231Z | M2000/23-231Z | Standard | 9 | M24308/23-231Z |
| 42 | M24308/23-232Z | M2000/23-232Z | Standard | 15 | M24308/23-232Z |
| 43 | M24308/23-233Z | M2000/23-233Z | Standard | 25 | M24308/23-233Z |
| 44 | M24308/23-234Z | M2000/23-234Z | Standard | 37 | M24308/23-234Z |
| 45 | M24308/23-235Z | M2000/23-235Z | Standard | 50 | M24308/23-235Z |
| 46 | M24308/23-237Z | M2000/23-237Z | Standard | 9 | M24308/23-237Z |
| 47 | M24308/23-238Z | M2000/23-238Z | Standard | 15 | M24308/23-238Z |
| 48 | M24308/23-239Z | M2000/23-239Z | Standard | 25 | M24308/23-239Z |
| 49 | M24308/23-240Z | M2000/23-240Z | Standard | 37 | M24308/23-240Z |
| 50 | M24308/23-241Z | M2000/23-241Z | Standard | 50 | M24308/23-241Z |
| 51 | M24308/23-243Z | M2000/23-243Z | Standard | 9 | M24308/23-243Z |
| 52 | M24308/23-244Z | M2000/23-244Z | Standard | 15 | M24308/23-244Z |
| 53 | M24308/23-245Z | M2000/23-245Z | Standard | 25 | M24308/23-245Z |
| 54 | M24308/23-246Z | M2000/23-246Z | Standard | 37 | M24308/23-246Z |
| 55 | M24308/23-247Z | M2000/23-247Z | Standard | 50 | M24308/23-247Z |
| 56 | M24308/23-249Z | M2000/23-249Z | Standard | 9 | M24308/23-249Z |
| 57 | M24308/23-250Z | M2000/23-250Z | Standard | 15 | M24308/23-250Z |
| 58 | M24308/23-251Z | M2000/23-251Z | Standard | 25 | M24308/23-251Z |
| 59 | M24308/23-252Z | M2000/23-252Z | Standard | 37 | M24308/23-252Z |
| 60 | M24308/23-253Z | M2000/23-253Z | Standard | 50 | M24308/23-253Z |
| 61 | M24308/23-255Z | M2000/23-255Z | Standard | 9 | M24308/23-255Z |
| 62 | M24308/23-256Z | M2000/23-256Z | Standard | 15 | M24308/23-256Z |
| 63 | M24308/23-257Z | M2000/23-257Z | Standard | 25 | M24308/23-257Z |
| 64 | M24308/23-258Z | M2000/23-258Z | Standard | 37 | M24308/23-258Z |
| 65 | M24308/23-259Z | M2000/23-259Z | Standard | 50 | M24308/23-259Z |
| 66 | M24308/23-273Z | M2000/23-273Z | High Density | 15 | M24308/23-273Z |
| 67 | M24308/23-274Z | M2000/23-274Z | High Density | 26 | M24308/23-274Z |
| 68 | M24308/23-275Z | M2000/23-275Z | High Density | 44 | M24308/23-275Z |
| 69 | M24308/23-276Z | M2000/23-276Z | High Density | 62 | M24308/23-276Z |
| 70 | M24308/23-277Z | M2000/23-277Z | High Density | 78 | M24308/23-277Z |

| Sr. No. | Military Designation | Manufacturers Designation | No. of Pins | Shell Details | Marking On The Connector |
|---------|----------------------|---------------------------|--------------|---------------|--------------------------|
| 1 | M24308/23-125 | M24308/23-125 | Standard | 9 | M24308/23-125 |
| 2 | M24308/23-126 | M24308/23-126 | Standard | 15 | M24308/23-126 |
| 3 | M24308/23-127 | M24308/23-127 | Standard | 25 | M24308/23-127 |
| 4 | M24308/23-128 | M24308/23-128 | Standard | 37 | M24308/23-128 |
| 5 | M24308/23-129 | M24308/23-129 | Standard | 50 | M24308/23-129 |
| 6 | M24308/23-131 | M24308/23-131 | Standard | 9 | M24308/23-131 |
| 7 | M24308/23-132 | M24308/23-132 | Standard | 15 | M24308/23-132 |
| 8 | M24308/23-133 | M24308/23-133 | Standard | 25 | M24308/23-133 |
| 9 | M24308/23-134 | M24308/23-134 | Standard | 37 | M24308/23-134 |
| 10 | M24308/23-135 | M24308/23-135 | Standard | 50 | M24308/23-135 |
| 11 | M24308/23-137 | M24308/23-137 | Standard | 9 | M24308/23-137 |
| 12 | M24308/23-138 | M24308/23-138 | Standard | 15 | M24308/23-138 |
| 13 | M24308/23-139 | M24308/23-139 | Standard | 25 | M24308/23-139 |
| 14 | M24308/23-140 | M24308/23-140 | Standard | 37 | M24308/23-140 |
| 15 | M24308/23-141 | M24308/23-141 | Standard | 50 | M24308/23-141 |
| 16 | M24308/23-143 | M24308/23-143 | Standard | 9 | M24308/23-143 |
| 17 | M24308/23-144 | M24308/23-144 | Standard | 15 | M24308/23-144 |
| 18 | M24308/23-145 | M24308/23-145 | Standard | 25 | M24308/23-145 |
| 19 | M24308/23-146 | M24308/23-146 | Standard | 37 | M24308/23-146 |
| 20 | M24308/23-147 | M24308/23-147 | Standard | 50 | M24308/23-147 |
| 21 | M24308/23-149 | M24308/23-149 | Standard | 9 | M24308/23-149 |
| 22 | M24308/23-150 | M24308/23-150 | Standard | 15 | M24308/23-150 |
| 23 | M24308/23-151 | M24308/23-151 | Standard | 25 | M24308/23-151 |
| 24 | M24308/23-152 | M24308/23-152 | Standard | 37 | M24308/23-152 |
| 25 | M24308/23-153 | M24308/23-153 | Standard | 50 | M24308/23-153 |
| 26 | M24308/23-155 | M24308/23-155 | Standard | 9 | M24308/23-155 |
| 27 | M24308/23-156 | M24308/23-156 | Standard | 15 | M24308/23-156 |
| 28 | M24308/23-157 | M24308/23-157 | Standard | 25 | M24308/23-157 |
| 29 | M24308/23-158 | M24308/23-158 | Standard | 37 | M24308/23-158 |
| 30 | M24308/23-159 | M24308/23-159 | Standard | 50 | M24308/23-159 |
| 31 | M24308/23-173 | M24308/23-173 | High Density | 15 | M24308/23-173 |
| 32 | M24308/23-174 | M24308/23-174 | High Density | 26 | M24308/23-174 |
| 33 | M24308/23-175 | M24308/23-175 | High Density | 44 | M24308/23-175 |
| 34 | M24308/23-176 | M24308/23-176 | High Density | 62 | M24308/23-176 |
| 35 | M24308/23-177 | M24308/23-177 | High Density | 78 | M24308/23-177 |

Standard Density Right Angle PC Tail Type Plug Contact Connector

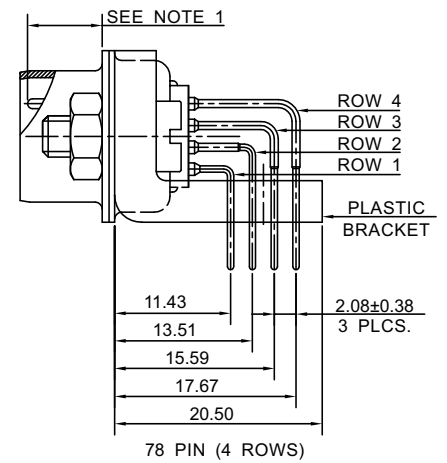
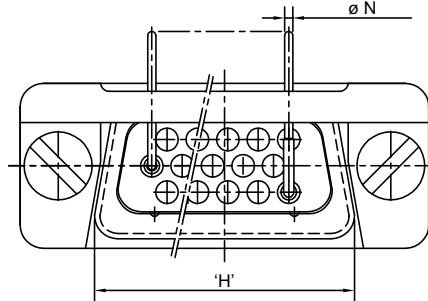
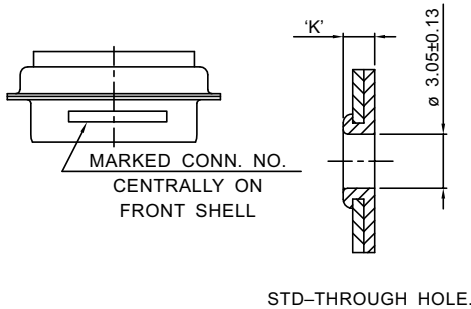
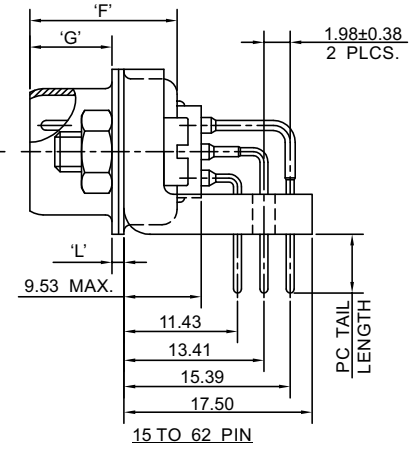
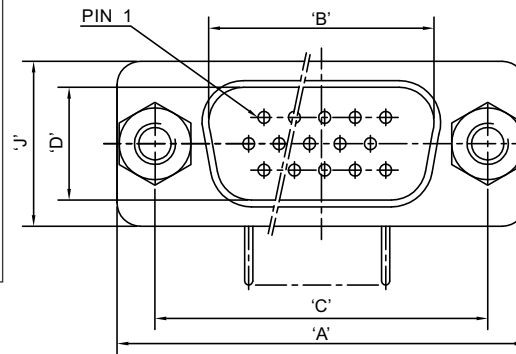
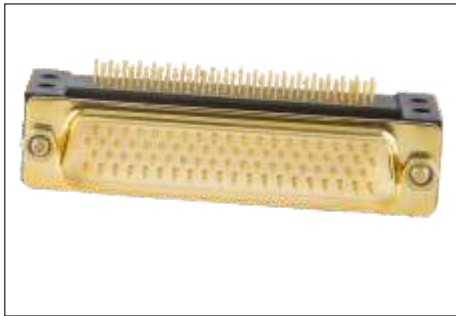


DIMENSION TABLE :-

| SHELL SIZE | STANDARD DENSITY NO. OF PINS | 'A' | 'B' | 'C' | 'D' | 'E' | 'F' | 'G' | 'H' | 'J' | 'K' | 'L' | PC TAIL LENGTH | | |
|------------|------------------------------|-------|-------|-------|-------|-------|-------|------|-------|-------|------|------|----------------|------|------|
| | | | | | | | | | | | | | 'X' | 'Y' | 'Z' |
| 1 | 09 | 31.19 | 17.04 | 25.12 | 8.48 | 12.93 | 10.97 | 6.05 | 19.53 | 10.97 | 1.52 | 1.02 | | | |
| | | 30.43 | 16.79 | 24.87 | 8.23 | 12.17 | 10.46 | 5.82 | 19.02 | 10.46 | 0.89 | 0.51 | | | |
| 2 | 15 | 39.52 | 25.37 | 33.45 | 8.48 | 12.93 | 10.97 | 6.05 | 27.76 | 10.97 | 1.52 | 1.02 | | | |
| | | 38.76 | 25.12 | 33.20 | 8.23 | 12.17 | 10.46 | 5.82 | 27.25 | 10.46 | 0.89 | 0.51 | | | |
| 3 | 25 | 53.42 | 39.09 | 47.17 | 8.48 | 12.93 | 11.07 | 5.99 | 41.53 | 10.97 | 1.78 | 1.24 | 4.70 | 5.33 | 3.91 |
| | | 52.65 | 38.84 | 46.91 | 8.23 | 12.17 | 10.57 | 5.69 | 41.02 | 10.46 | 1.27 | 0.74 | | | |
| 4 | 37 | 69.70 | 55.55 | 63.63 | 8.48 | 12.93 | 11.07 | 5.99 | 57.96 | 10.97 | 1.78 | 1.24 | | | |
| | | 68.94 | 55.30 | 63.37 | 8.23 | 12.17 | 10.57 | 5.69 | 57.45 | 10.46 | 1.27 | 0.74 | | | |
| 5 | 50 | 67.31 | 52.93 | 61.24 | 11.33 | 15.75 | 11.07 | 5.99 | 55.58 | 13.82 | 1.78 | 1.24 | | | |
| | | 66.55 | 52.68 | 60.99 | 11.07 | 14.99 | 10.57 | 5.69 | 55.07 | 13.31 | 1.27 | 0.74 | | | |

NOTE :-
 1. DIMENSION ARE 3.81MM MIN. (FOR SIZE 3,4,5) AND 4.04MM MIN.(SIZE 1,2).
 2. SCREW & NUT IS USE ONLY FOR TRANSPORTATION PURPOSE.

High Density Right Angle PC Tail Type Connector Plug Contact Connector



DIMENSION TABLE :-

| SHELL SIZE | STANDARD DENSITY | 'A' | 'B' | 'C' | 'D' | 'E' | 'F' | 'G' | 'H' | 'J' | 'K' | 'L' | PC TAIL LENGTH 'X' |
|------------|------------------|-------|-------|-------|-------|-------|-------|------|-------|-------|------|------|--------------------|
| | NO. OF PINS | | | | | | | | | | | | |
| 1 | 15 | 31.19 | 17.04 | 25.12 | 8.48 | 12.93 | 10.97 | 6.12 | 19.53 | 10.97 | 1.52 | 1.02 | 3.91 2.51 |
| | | 30.43 | 16.79 | 24.87 | 8.23 | 12.17 | 10.46 | 5.82 | 19.02 | 10.46 | 0.89 | 0.51 | |
| 2 | 26 | 39.52 | 25.37 | 33.45 | 8.48 | 12.93 | 10.97 | 6.12 | 27.76 | 10.97 | 1.52 | 1.02 | |
| | | 38.76 | 25.12 | 33.20 | 8.23 | 12.17 | 10.46 | 5.82 | 27.25 | 10.46 | 0.89 | 0.51 | |
| 3 | 44 | 53.42 | 39.09 | 47.17 | 8.48 | 12.93 | 11.07 | 5.99 | 41.53 | 10.97 | 1.78 | 1.24 | |
| | | 52.65 | 38.84 | 46.91 | 8.23 | 12.17 | 10.57 | 5.69 | 41.02 | 10.46 | 1.27 | 0.74 | |
| 4 | 62 | 69.70 | 55.55 | 63.63 | 8.48 | 12.93 | 11.07 | 5.99 | 57.96 | 10.97 | 1.78 | 1.24 | |
| | | 68.94 | 55.30 | 63.37 | 8.23 | 12.17 | 10.57 | 5.69 | 57.45 | 10.46 | 1.27 | 0.74 | |
| 5 | 78 | 67.31 | 52.93 | 61.24 | 11.33 | 15.75 | 11.07 | 5.99 | 55.58 | 13.82 | 1.78 | 1.24 | |
| | | 66.55 | 52.68 | 60.99 | 11.07 | 14.99 | 10.57 | 5.69 | 55.07 | 13.31 | 1.27 | 0.74 | |

NOTE :-

1. DIMENSION ARE 3.81MM MINIMUM (FOR SIZE 3,4,5) AND 4.04MM MIN.(SIZE 1,2).
2. SCREW & NUT IS USE ONLY FOR TRANSPORTATION PURPOSE.

| Application Dash Number | Application Board Thickness | Nominal Pin Diameter | PC Tail Length | Pin Diameter (N) |
|--------------------------------------|-----------------------------|----------------------|--------------------|--------------------|
| M24308/24-1 Through M24308/24-5 | 2.39 mm | 0.76 mm | 4.70 mm 3.30 mm | 0.84 mm 0.69 mm |
| M24308/24-7 Through M24308/24-11 | 3.18 mm | 0.76 mm | 5.33 mm 3.94 mm | 0.84 mm 0.69 mm |
| M24308/24-13 Through M24308/24-17 | 2.39 mm | 1.02 mm | 4.70 mm 3.30 mm | 1.09 mm 0.94 mm |
| M24308/24-19 Through M24308/24-23 | 3.18 mm | 1.02 mm | 5.33 mm 3.94 mm | 1.09 mm 0.94 mm |
| M24308/24-25 Through M24308/24-29 | 1.57 mm | 0.76 mm | 3.91 mm 2.51 mm | 0.84 mm 0.69 mm |
| M24308/24-31 Through M24308/24-35 | 2.39 mm | 0.76 mm | 4.70 mm 3.30 mm | 0.84 mm 0.69 mm |
| M24308/24-37 Through M24308/24-41 | 1.57 mm | 1.02 mm | 3.91 mm 2.51 mm | 1.09 mm 0.94 mm |
| M24308/24-43 Through M24308/24-47 | 2.39 mm | 1.02 mm | 4.70 mm 3.30 mm | 1.09 mm 0.94 mm |
| M24308/24-49 Through M24308/24-53 | 3.18 mm | 0.76 mm | 5.33 mm 3.94 mm | 0.84 mm 0.69 mm |
| M24308/24-55 Through M24308/24-59 | 3.18 mm | 1.02 mm | 5.33 mm 3.94 mm | 1.09 mm 0.94 mm |
| M24308/24-61 Through M24308/24-65 | 2.39 mm | 0.51 mm | 4.70 mm 3.30 mm | 0.58 mm 0.43 mm |
| M24308/24-67 Through M24308/24-71 | 3.18 mm | 0.51 mm | 8.13 mm 6.99 mm | 0.58 mm 0.43 mm |
| M24308/24-73 Through M24308/24-77 | 1.57 mm | 0.51 mm | 3.91 mm 2.51 mm | 0.58 mm 0.43 mm |

| Sr. No. | Military Designation | Manufacturers Designation | No. of Pins | Shell Details | Marking On The Connector |
|---------|----------------------|---------------------------|--------------|---------------|--------------------------|
| 1 | M24308/24-25F | M2000/24-25F | Standard | 9 | M24308/24-25F |
| 2 | M24308/24-26F | M2000/24-26F | Standard | 15 | M24308/24-26F |
| 3 | M24308/24-27F | M2000/24-27F | Standard | 25 | M24308/24-27F |
| 4 | M24308/24-28F | M2000/24-28F | Standard | 37 | M24308/24-28F |
| 5 | M24308/24-29F | M2000/24-29F | Standard | 50 | M24308/24-29F |
| 6 | M24308/24-31F | M2000/24-31F | Standard | 9 | M24308/24-31F |
| 7 | M24308/24-32F | M2000/24-32F | Standard | 15 | M24308/24-32F |
| 8 | M24308/24-33F | M2000/24-33F | Standard | 25 | M24308/24-33F |
| 9 | M24308/24-34F | M2000/24-34F | Standard | 37 | M24308/24-34F |
| 10 | M24308/24-35F | M2000/24-35F | Standard | 50 | M24308/24-35F |
| 11 | M24308/24-37F | M2000/24-37F | Standard | 9 | M24308/24-37F |
| 12 | M24308/24-38F | M2000/24-38F | Standard | 15 | M24308/24-38F |
| 13 | M24308/24-39F | M2000/24-39F | Standard | 25 | M24308/24-39F |
| 14 | M24308/24-40F | M2000/24-40F | Standard | 37 | M24308/24-40F |
| 15 | M24308/24-41F | M2000/24-41F | Standard | 50 | M24308/24-41F |
| 16 | M24308/24-43F | M2000/24-43F | Standard | 9 | M24308/24-43F |
| 17 | M24308/24-44F | M2000/24-44F | Standard | 15 | M24308/24-44F |
| 18 | M24308/24-45F | M2000/24-45F | Standard | 25 | M24308/24-45F |
| 19 | M24308/24-46F | M2000/24-46F | Standard | 37 | M24308/24-46F |
| 20 | M24308/24-47F | M2000/24-47F | Standard | 50 | M24308/24-47F |
| 21 | M24308/24-49F | M2000/24-49F | Standard | 9 | M24308/24-49F |
| 22 | M24308/24-50F | M2000/24-50F | Standard | 15 | M24308/24-50F |
| 23 | M24308/24-51F | M2000/24-51F | Standard | 25 | M24308/24-51F |
| 24 | M24308/24-52F | M2000/24-52F | Standard | 37 | M24308/24-52F |
| 25 | M24308/24-53F | M2000/24-53F | Standard | 50 | M24308/24-53F |
| 26 | M24308/24-55F | M2000/24-55F | Standard | 9 | M24308/24-55F |
| 27 | M24308/24-56F | M2000/24-56F | Standard | 15 | M24308/24-56F |
| 28 | M24308/24-57F | M2000/24-57F | Standard | 25 | M24308/24-57F |
| 29 | M24308/24-58F | M2000/24-58F | Standard | 37 | M24308/24-58F |
| 30 | M24308/24-59F | M2000/24-59F | Standard | 50 | M24308/24-59F |
| 31 | M24308/24-73F | M2000/24-73F | High Density | 15 | M24308/24-73F |
| 32 | M24308/24-74F | M2000/24-74F | High Density | 26 | M24308/24-74F |
| 33 | M24308/24-75F | M2000/24-75F | High Density | 44 | M24308/24-75F |
| 34 | M24308/24-76F | M2000/24-76F | High Density | 62 | M24308/24-76F |
| 35 | M24308/24-77F | M2000/24-77F | High Density | 78 | M24308/24-77F |

R ight Angle PC Tail Plug Connector (With Magnetic Shell)

| Sr. No. | Military Designation | Manufacturers Designation | No. of Pins | Shell Details | Marking On The Connector |
|---------|----------------------|---------------------------|--------------|---------------|--------------------------|
| 36 | M24308/24-25Z | M2000/24-25Z | Standard | 9 | M24308/24-25Z |
| 37 | M24308/24-26Z | M2000/24-26Z | Standard | 15 | M24308/24-26Z |
| 38 | M24308/24-27Z | M2000/24-27Z | Standard | 25 | M24308/24-27Z |
| 39 | M24308/24-28Z | M2000/24-28Z | Standard | 37 | M24308/24-28Z |
| 40 | M24308/24-29Z | M2000/24-29Z | Standard | 50 | M24308/24-29Z |
| 41 | M24308/24-31Z | M2000/24-31Z | Standard | 9 | M24308/24-31Z |
| 42 | M24308/24-32Z | M2000/24-32Z | Standard | 15 | M24308/24-32Z |
| 43 | M24308/24-33Z | M2000/24-33Z | Standard | 25 | M24308/24-33Z |
| 44 | M24308/24-34Z | M2000/24-34Z | Standard | 37 | M24308/24-34Z |
| 45 | M24308/24-35Z | M2000/24-35Z | Standard | 50 | M24308/24-35Z |
| 46 | M24308/24-37Z | M2000/24-37Z | Standard | 9 | M24308/24-37Z |
| 47 | M24308/24-38Z | M2000/24-38Z | Standard | 15 | M24308/24-38Z |
| 48 | M24308/24-39Z | M2000/24-39Z | Standard | 25 | M24308/24-39Z |
| 49 | M24308/24-40Z | M2000/24-40Z | Standard | 37 | M24308/24-40Z |
| 50 | M24308/24-41Z | M2000/24-41Z | Standard | 50 | M24308/24-41Z |
| 51 | M24308/24-43Z | M2000/24-43Z | Standard | 9 | M24308/24-43Z |
| 52 | M24308/24-44Z | M2000/24-44Z | Standard | 15 | M24308/24-44Z |
| 53 | M24308/24-45Z | M2000/24-45Z | Standard | 25 | M24308/24-45Z |
| 54 | M24308/24-46Z | M2000/24-46Z | Standard | 37 | M24308/24-46Z |
| 55 | M24308/24-47Z | M2000/24-47Z | Standard | 50 | M24308/24-47Z |
| 56 | M24308/24-49Z | M2000/24-49Z | Standard | 9 | M24308/24-49Z |
| 57 | M24308/24-50Z | M2000/24-50Z | Standard | 15 | M24308/24-50Z |
| 58 | M24308/24-51Z | M2000/24-51Z | Standard | 25 | M24308/24-51Z |
| 59 | M24308/24-52Z | M2000/24-52Z | Standard | 37 | M24308/24-52Z |
| 60 | M24308/24-53Z | M2000/24-53Z | Standard | 50 | M24308/24-53Z |
| 61 | M24308/24-55Z | M2000/24-55Z | Standard | 9 | M24308/24-55Z |
| 62 | M24308/24-56Z | M2000/24-56Z | Standard | 15 | M24308/24-56Z |
| 63 | M24308/24-57Z | M2000/24-57Z | Standard | 25 | M24308/24-57Z |
| 64 | M24308/24-58Z | M2000/24-58Z | Standard | 37 | M24308/24-58Z |
| 65 | M24308/24-59Z | M2000/24-59Z | Standard | 50 | M24308/24-59Z |
| 66 | M24308/24-73Z | M2000/24-73Z | High Density | 15 | M24308/24-73Z |
| 67 | M24308/24-74Z | M2000/24-74Z | High Density | 26 | M24308/24-74Z |
| 68 | M24308/24-75Z | M2000/24-75Z | High Density | 44 | M24308/24-75Z |
| 69 | M24308/24-76Z | M2000/24-76Z | High Density | 62 | M24308/24-76Z |
| 70 | M24308/24-77Z | M2000/24-77Z | High Density | 78 | M24308/24-77Z |

Right Angle PC Tail Plug Connector (With Magnetic Shell)

| Sr. No. | Military Designation | Manufacturers Designation | No. of Pins | Shell Details | Marking On The Connector |
|---------|----------------------|---------------------------|--------------|---------------|--------------------------|
| 71 | M24308/24-25K | M2000/24-25K | Standard | 9 | M24308/24-25K |
| 72 | M24308/24-26K | M2000/24-26K | Standard | 15 | M24308/24-26K |
| 73 | M24308/24-27K | M2000/24-27K | Standard | 25 | M24308/24-27K |
| 74 | M24308/24-28K | M2000/24-28K | Standard | 37 | M24308/24-28K |
| 75 | M24308/24-29K | M2000/24-29K | Standard | 50 | M24308/24-29K |
| 76 | M24308/24-31K | M2000/24-31K | Standard | 9 | M24308/24-31K |
| 77 | M24308/24-32K | M2000/24-32K | Standard | 15 | M24308/24-32K |
| 78 | M24308/24-33K | M2000/24-33K | Standard | 25 | M24308/24-33K |
| 79 | M24308/24-34K | M2000/24-34K | Standard | 37 | M24308/24-34K |
| 80 | M24308/24-35K | M2000/24-35K | Standard | 50 | M24308/24-35K |
| 81 | M24308/24-37K | M2000/24-37K | Standard | 9 | M24308/24-37K |
| 82 | M24308/24-38K | M2000/24-38K | Standard | 15 | M24308/24-38K |
| 83 | M24308/24-39K | M2000/24-39K | Standard | 25 | M24308/24-39K |
| 84 | M24308/24-40K | M2000/24-40K | Standard | 37 | M24308/24-40K |
| 85 | M24308/24-41K | M2000/24-41K | Standard | 50 | M24308/24-41K |
| 86 | M24308/24-43K | M2000/24-43K | Standard | 9 | M24308/24-43K |
| 87 | M24308/24-44K | M2000/24-44K | Standard | 15 | M24308/24-44K |
| 88 | M24308/24-45K | M2000/24-45K | Standard | 25 | M24308/24-45K |
| 89 | M24308/24-46K | M2000/24-46K | Standard | 37 | M24308/24-46K |
| 90 | M24308/24-47K | M2000/24-47K | Standard | 50 | M24308/24-47K |
| 91 | M24308/24-49K | M2000/24-49K | Standard | 9 | M24308/24-49K |
| 92 | M24308/24-50K | M2000/24-50K | Standard | 15 | M24308/24-50K |
| 93 | M24308/24-51K | M2000/24-51K | Standard | 25 | M24308/24-51K |
| 94 | M24308/24-52K | M2000/24-52K | Standard | 37 | M24308/24-52K |
| 95 | M24308/24-53K | M2000/24-53K | Standard | 50 | M24308/24-53K |
| 96 | M24308/24-55K | M2000/24-55K | Standard | 9 | M24308/24-55K |
| 97 | M24308/24-56K | M2000/24-56K | Standard | 15 | M24308/24-56K |
| 98 | M24308/24-57K | M2000/24-57K | Standard | 25 | M24308/24-57K |
| 99 | M24308/24-58K | M2000/24-58K | Standard | 37 | M24308/24-58K |
| 100 | M24308/24-59K | M2000/24-59K | Standard | 50 | M24308/24-59K |
| 101 | M24308/24-73K | M2000/24-73K | High Density | 15 | M24308/24-73K |
| 102 | M24308/24-74K | M2000/24-74K | High Density | 26 | M24308/24-74K |
| 103 | M24308/24-75K | M2000/24-75K | High Density | 44 | M24308/24-75K |
| 104 | M24308/24-76K | M2000/24-76K | High Density | 62 | M24308/24-76K |
| 105 | M24308/24-77K | M2000/24-77K | High Density | 78 | M24308/24-77K |

Right Angle PC Tail Plug Connector (With Magnetic Shell – Nickel Finish)

| Sr. No. | Military Designation | Manufacturers Designation | No. of Pins | Shell Details | Marking On The Connector |
|---------|----------------------|---------------------------|--------------|---------------|--------------------------|
| 1 | M24308/24-325 | M24308/24-325 | Standard | 9 | M24308/24-325 |
| 2 | M24308/24-326 | M24308/24-326 | Standard | 15 | M24308/24-326 |
| 3 | M24308/24-327 | M24308/24-327 | Standard | 25 | M24308/24-327 |
| 4 | M24308/24-328 | M24308/24-328 | Standard | 37 | M24308/24-328 |
| 5 | M24308/24-329 | M24308/24-329 | Standard | 50 | M24308/24-329 |
| 6 | M24308/24-331 | M24308/24-331 | Standard | 9 | M24308/24-331 |
| 7 | M24308/24-332 | M24308/24-332 | Standard | 15 | M24308/24-332 |
| 8 | M24308/24-333 | M24308/24-333 | Standard | 25 | M24308/24-333 |
| 9 | M24308/24-334 | M24308/24-334 | Standard | 37 | M24308/24-334 |
| 10 | M24308/24-335 | M24308/24-335 | Standard | 50 | M24308/24-335 |
| 11 | M24308/24-337 | M24308/24-337 | Standard | 9 | M24308/24-337 |
| 12 | M24308/24-338 | M24308/24-338 | Standard | 15 | M24308/24-338 |
| 13 | M24308/24-339 | M24308/24-339 | Standard | 25 | M24308/24-339 |
| 14 | M24308/24-340 | M24308/24-340 | Standard | 37 | M24308/24-340 |
| 15 | M24308/24-341 | M24308/24-341 | Standard | 50 | M24308/24-341 |
| 16 | M24308/24-343 | M24308/24-343 | Standard | 9 | M24308/24-343 |
| 17 | M24308/24-344 | M24308/24-344 | Standard | 15 | M24308/24-344 |
| 18 | M24308/24-345 | M24308/24-345 | Standard | 25 | M24308/24-345 |
| 19 | M24308/24-346 | M24308/24-346 | Standard | 37 | M24308/24-346 |
| 20 | M24308/24-347 | M24308/24-347 | Standard | 50 | M24308/24-347 |
| 21 | M24308/24-349 | M24308/24-349 | Standard | 9 | M24308/24-349 |
| 22 | M24308/24-350 | M24308/24-350 | Standard | 15 | M24308/24-350 |
| 23 | M24308/24-351 | M24308/24-351 | Standard | 25 | M24308/24-351 |
| 24 | M24308/24-352 | M24308/24-352 | Standard | 37 | M24308/24-352 |
| 25 | M24308/24-353 | M24308/24-353 | Standard | 50 | M24308/24-353 |
| 26 | M24308/24-355 | M24308/24-355 | Standard | 9 | M24308/24-355 |
| 27 | M24308/24-356 | M24308/24-356 | Standard | 15 | M24308/24-356 |
| 28 | M24308/24-357 | M24308/24-357 | Standard | 25 | M24308/24-357 |
| 29 | M24308/24-358 | M24308/24-358 | Standard | 37 | M24308/24-358 |
| 30 | M24308/24-359 | M24308/24-359 | Standard | 50 | M24308/24-359 |
| 31 | M24308/24-373 | M24308/24-373 | High Density | 15 | M24308/24-373 |
| 32 | M24308/24-374 | M24308/24-374 | High Density | 26 | M24308/24-374 |
| 33 | M24308/24-375 | M24308/24-375 | High Density | 44 | M24308/24-375 |
| 34 | M24308/24-376 | M24308/24-376 | High Density | 62 | M24308/24-376 |
| 35 | M24308/24-377 | M24308/24-377 | High Density | 78 | M24308/24-377 |

Right Angle PC Tail Plug Connector (With Non-Magnetic Shell)

| Sr. No. | Military Designation | Manufacturers Designation | No. of Pins | Shell Details | Marking On The Connector |
|---------|----------------------|---------------------------|--------------|---------------|--------------------------|
| 1 | M24308/24-225F | M2000/24-225F | Standard | 9 | M24308/24-225F |
| 2 | M24308/24-226F | M2000/24-226F | Standard | 15 | M24308/24-226F |
| 3 | M24308/24-227F | M2000/24-227F | Standard | 25 | M24308/24-227F |
| 4 | M24308/24-228F | M2000/24-228F | Standard | 37 | M24308/24-228F |
| 5 | M24308/24-229F | M2000/24-229F | Standard | 50 | M24308/24-229F |
| 6 | M24308/24-231F | M2000/24-231F | Standard | 9 | M24308/24-231F |
| 7 | M24308/24-232F | M2000/24-232F | Standard | 15 | M24308/24-232F |
| 8 | M24308/24-233F | M2000/24-233F | Standard | 25 | M24308/24-233F |
| 9 | M24308/24-234F | M2000/24-234F | Standard | 37 | M24308/24-234F |
| 10 | M24308/24-235F | M2000/24-235F | Standard | 50 | M24308/24-235F |
| 11 | M24308/24-237F | M2000/24-237F | Standard | 9 | M24308/24-237F |
| 12 | M24308/24-238F | M2000/24-238F | Standard | 15 | M24308/24-238F |
| 13 | M24308/24-239F | M2000/24-239F | Standard | 25 | M24308/24-239F |
| 14 | M24308/24-240F | M2000/24-240F | Standard | 37 | M24308/24-240F |
| 15 | M24308/24-241F | M2000/24-241F | Standard | 50 | M24308/24-241F |
| 16 | M24308/24-243F | M2000/24-243F | Standard | 9 | M24308/24-243F |
| 17 | M24308/24-244F | M2000/24-244F | Standard | 15 | M24308/24-244F |
| 18 | M24308/24-245F | M2000/24-245F | Standard | 25 | M24308/24-245F |
| 19 | M24308/24-246F | M2000/24-246F | Standard | 37 | M24308/24-246F |
| 20 | M24308/24-247F | M2000/24-247F | Standard | 50 | M24308/24-247F |
| 21 | M24308/24-249F | M2000/24-249F | Standard | 9 | M24308/24-249F |
| 22 | M24308/24-250F | M2000/24-250F | Standard | 15 | M24308/24-250F |
| 23 | M24308/24-251F | M2000/24-251F | Standard | 25 | M24308/24-251F |
| 24 | M24308/24-252F | M2000/24-252F | Standard | 37 | M24308/24-252F |
| 25 | M24308/24-253F | M2000/24-253F | Standard | 50 | M24308/24-253F |
| 26 | M24308/24-255F | M2000/24-255F | Standard | 9 | M24308/24-255F |
| 27 | M24308/24-256F | M2000/24-256F | Standard | 15 | M24308/24-256F |
| 28 | M24308/24-257F | M2000/24-257F | Standard | 25 | M24308/24-257F |
| 29 | M24308/24-258F | M2000/24-258F | Standard | 37 | M24308/24-258F |
| 30 | M24308/24-259F | M2000/24-259F | Standard | 50 | M24308/24-259F |
| 31 | M24308/24-273F | M2000/24-273F | High Density | 15 | M24308/24-273F |
| 32 | M24308/24-274F | M2000/24-274F | High Density | 26 | M24308/24-274F |
| 33 | M24308/24-275F | M2000/24-275F | High Density | 44 | M24308/24-275F |
| 34 | M24308/24-276F | M2000/24-276F | High Density | 62 | M24308/24-276F |
| 35 | M24308/24-277F | M2000/24-277F | High Density | 78 | M24308/24-277F |

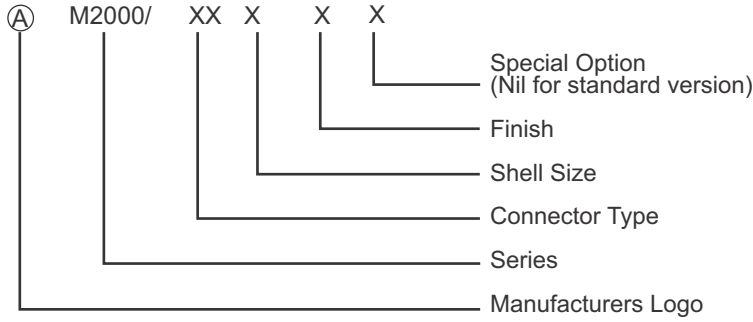
Right Angle PC Tail Plug Connector (With Non-Magnetic Shell)

| Sr. No. | Military Designation | Manufacturers Designation | No. of Pins | Shell Details | Marking On The Connector |
|---------|----------------------|---------------------------|--------------|---------------|--------------------------|
| 36 | M24308/24-225Z | M2000/24-225Z | Standard | 9 | M24308/24-225Z |
| 37 | M24308/24-226Z | M2000/24-226Z | Standard | 15 | M24308/24-226Z |
| 38 | M24308/24-227Z | M2000/24-227Z | Standard | 25 | M24308/24-227Z |
| 39 | M24308/24-228Z | M2000/24-228Z | Standard | 37 | M24308/24-228Z |
| 40 | M24308/24-229Z | M2000/24-229Z | Standard | 50 | M24308/24-229Z |
| 41 | M24308/24-231Z | M2000/24-231Z | Standard | 9 | M24308/24-231Z |
| 42 | M24308/24-232Z | M2000/24-232Z | Standard | 15 | M24308/24-232Z |
| 43 | M24308/24-233Z | M2000/24-233Z | Standard | 25 | M24308/24-233Z |
| 44 | M24308/24-234Z | M2000/24-234Z | Standard | 37 | M24308/24-234Z |
| 45 | M24308/24-235Z | M2000/24-235Z | Standard | 50 | M24308/24-235Z |
| 46 | M24308/24-237Z | M2000/24-237Z | Standard | 9 | M24308/24-237Z |
| 47 | M24308/24-238Z | M2000/24-238Z | Standard | 15 | M24308/24-238Z |
| 48 | M24308/24-239Z | M2000/24-239Z | Standard | 25 | M24308/24-239Z |
| 49 | M24308/24-240Z | M2000/24-240Z | Standard | 37 | M24308/24-240Z |
| 50 | M24308/24-241Z | M2000/24-241Z | Standard | 50 | M24308/24-241Z |
| 51 | M24308/24-243Z | M2000/24-243Z | Standard | 9 | M24308/24-243Z |
| 52 | M24308/24-244Z | M2000/24-244Z | Standard | 15 | M24308/24-244Z |
| 53 | M24308/24-245Z | M2000/24-245Z | Standard | 25 | M24308/24-245Z |
| 54 | M24308/24-246Z | M2000/24-246Z | Standard | 37 | M24308/24-246Z |
| 55 | M24308/24-247Z | M2000/24-247Z | Standard | 50 | M24308/24-247Z |
| 56 | M24308/24-249Z | M2000/24-249Z | Standard | 9 | M24308/24-249Z |
| 57 | M24308/24-250Z | M2000/24-250Z | Standard | 15 | M24308/24-250Z |
| 58 | M24308/24-251Z | M2000/24-251Z | Standard | 25 | M24308/24-251Z |
| 59 | M24308/24-252Z | M2000/24-252Z | Standard | 37 | M24308/24-252Z |
| 60 | M24308/24-253Z | M2000/24-253Z | Standard | 50 | M24308/24-253Z |
| 61 | M24308/24-255Z | M2000/24-255Z | Standard | 9 | M24308/24-255Z |
| 62 | M24308/24-256Z | M2000/24-256Z | Standard | 15 | M24308/24-256Z |
| 63 | M24308/24-257Z | M2000/24-257Z | Standard | 25 | M24308/24-257Z |
| 64 | M24308/24-258Z | M2000/24-258Z | Standard | 37 | M24308/24-258Z |
| 65 | M24308/24-259Z | M2000/24-259Z | Standard | 50 | M24308/24-259Z |
| 66 | M24308/24-273Z | M2000/24-273Z | High Density | 15 | M24308/24-273Z |
| 67 | M24308/24-274Z | M2000/24-274Z | High Density | 26 | M24308/24-274Z |
| 68 | M24308/24-275Z | M2000/24-275Z | High Density | 44 | M24308/24-275Z |
| 69 | M24308/24-276Z | M2000/24-276Z | High Density | 62 | M24308/24-276Z |
| 70 | M24308/24-277Z | M2000/24-277Z | High Density | 78 | M24308/24-277Z |

| Sr. No. | Military Designation | Manufacturers Designation | No. of Pins | Shell Details | Marking On The Connector |
|---------|----------------------|---------------------------|--------------|---------------|--------------------------|
| 1 | M24308/24-125 | M24308/24-125 | Standard | 9 | M24308/24-125 |
| 2 | M24308/24-126 | M24308/24-126 | Standard | 15 | M24308/24-126 |
| 3 | M24308/24-127 | M24308/24-127 | Standard | 25 | M24308/24-127 |
| 4 | M24308/24-128 | M24308/24-128 | Standard | 37 | M24308/24-128 |
| 5 | M24308/24-129 | M24308/24-129 | Standard | 50 | M24308/24-129 |
| 6 | M24308/24-131 | M24308/24-131 | Standard | 9 | M24308/24-131 |
| 7 | M24308/24-132 | M24308/24-132 | Standard | 15 | M24308/24-132 |
| 8 | M24308/24-133 | M24308/24-133 | Standard | 25 | M24308/24-133 |
| 9 | M24308/24-134 | M24308/24-134 | Standard | 37 | M24308/24-134 |
| 10 | M24308/24-135 | M24308/24-135 | Standard | 50 | M24308/24-135 |
| 11 | M24308/24-137 | M24308/24-137 | Standard | 9 | M24308/24-137 |
| 12 | M24308/24-138 | M24308/24-138 | Standard | 15 | M24308/24-138 |
| 13 | M24308/24-139 | M24308/24-139 | Standard | 25 | M24308/24-139 |
| 14 | M24308/24-140 | M24308/24-140 | Standard | 37 | M24308/24-140 |
| 15 | M24308/24-141 | M24308/24-141 | Standard | 50 | M24308/24-141 |
| 16 | M24308/24-143 | M24308/24-143 | Standard | 9 | M24308/24-143 |
| 17 | M24308/24-144 | M24308/24-144 | Standard | 15 | M24308/24-144 |
| 18 | M24308/24-145 | M24308/24-145 | Standard | 25 | M24308/24-145 |
| 19 | M24308/24-146 | M24308/24-146 | Standard | 37 | M24308/24-146 |
| 20 | M24308/24-147 | M24308/24-147 | Standard | 50 | M24308/24-147 |
| 21 | M24308/24-149 | M24308/24-149 | Standard | 9 | M24308/24-149 |
| 22 | M24308/24-150 | M24308/24-150 | Standard | 15 | M24308/24-150 |
| 23 | M24308/24-151 | M24308/24-151 | Standard | 25 | M24308/24-151 |
| 24 | M24308/24-152 | M24308/24-152 | Standard | 37 | M24308/24-152 |
| 25 | M24308/24-153 | M24308/24-153 | Standard | 50 | M24308/24-153 |
| 26 | M24308/24-155 | M24308/24-155 | Standard | 9 | M24308/24-155 |
| 27 | M24308/24-156 | M24308/24-156 | Standard | 15 | M24308/24-156 |
| 28 | M24308/24-157 | M24308/24-157 | Standard | 25 | M24308/24-157 |
| 29 | M24308/24-158 | M24308/24-158 | Standard | 37 | M24308/24-158 |
| 30 | M24308/24-159 | M24308/24-159 | Standard | 50 | M24308/24-159 |
| 31 | M24308/24-173 | M24308/24-173 | High Density | 15 | M24308/24-173 |
| 32 | M24308/24-174 | M24308/24-174 | High Density | 26 | M24308/24-174 |
| 33 | M24308/24-175 | M24308/24-175 | High Density | 44 | M24308/24-175 |
| 34 | M24308/24-176 | M24308/24-176 | High Density | 62 | M24308/24-176 |
| 35 | M24308/24-177 | M24308/24-177 | High Density | 78 | M24308/24-177 |

Special Products

Series: M2000

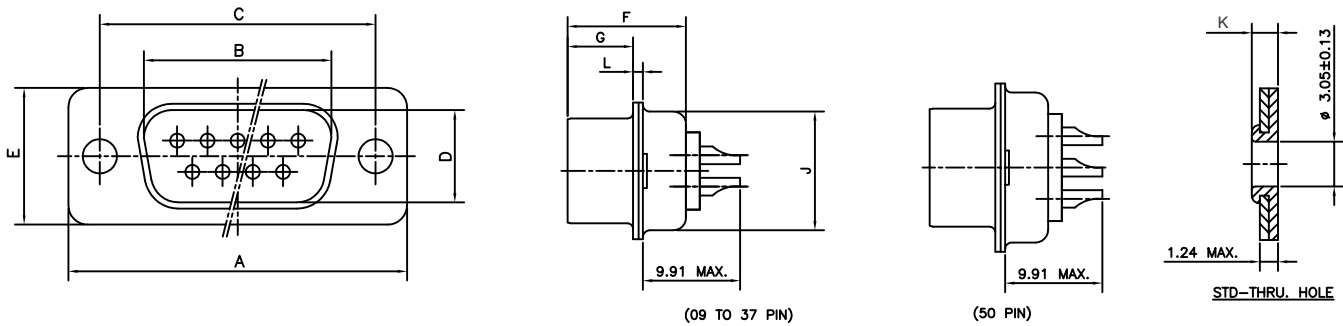


Connector Type :
 1 - Receptacle Connector with Solder Type Contact (Fixed Contacts)
 3 - Plug Connector with Solder Type Contact (Fixed Contacts)

Shell Size : 1-9 pin, 2-15 pin, 3-25 pin, 4-37 pin, 5-50 pin
Finish : F- Cadmium plate with yellow passivation, Z - Zinc Plated, N - Nickel Plated, TI - Tin Plated

Special Option : L- Launch vehicle application

Plug Connector With Solder Contact

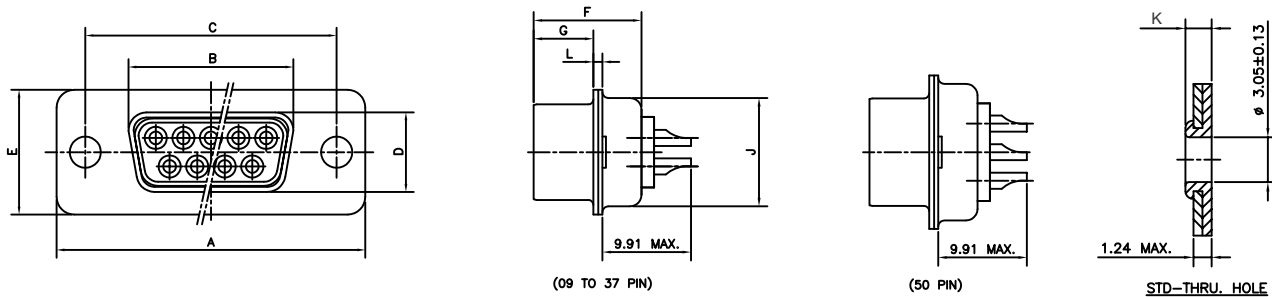


(09 TO 37 PIN)

(50 PIN)

| SR. NO. | CONNECTOR NO. | SHELL SIZE | 'A' | 'B' | 'C' | 'D' | 'E' | 'F' | 'G' | 'H' | 'J' | 'K' | 'L' |
|---------|---------------|------------|-------|-------|-------|-------|-------|-------|------|-------|-------|-------|-------|
| 1 | M2000/3-1F | 09 | 30.43 | 16.79 | 24.87 | | | 10.46 | | 19.02 | | 0.89 | 0.51 |
| | | | 31.19 | 17.04 | 25.12 | | | 10.97 | | 19.53 | | | 1.02 |
| 2 | M2000/3-2F | 15 | 38.76 | 25.12 | 33.20 | 8.23 | 12.17 | 10.46 | 5.82 | 27.25 | 10.46 | 1.52 | 0.51 |
| | | | 39.52 | 25.37 | 33.45 | | | 10.97 | | 27.76 | | | 1.02 |
| 3 | M2000/3-3F | 25 | 52.65 | 38.84 | 46.91 | 8.48 | 12.93 | 10.57 | 6.05 | 41.02 | 10.97 | 1.27 | 0.74 |
| | | | 53.42 | 39.09 | 47.17 | | | 11.07 | | 41.53 | | | 1.25 |
| 4 | M2000/3-4F | 37 | 68.94 | 55.30 | 63.37 | | | 10.57 | | 57.45 | | 1.78 | 0.74 |
| | | | 69.70 | 55.55 | 63.63 | | | 11.07 | | 57.96 | | | 1.25 |
| 5 | M2000/3-5F | 50 | 66.55 | 52.68 | 60.99 | 11.07 | 14.99 | 10.57 | | 55.07 | 13.31 | 13.82 | 0.74 |
| | | | 67.31 | 52.93 | 61.24 | | | 11.33 | | 15.75 | | | 11.07 |

Receptacle Connector With Solder Contact

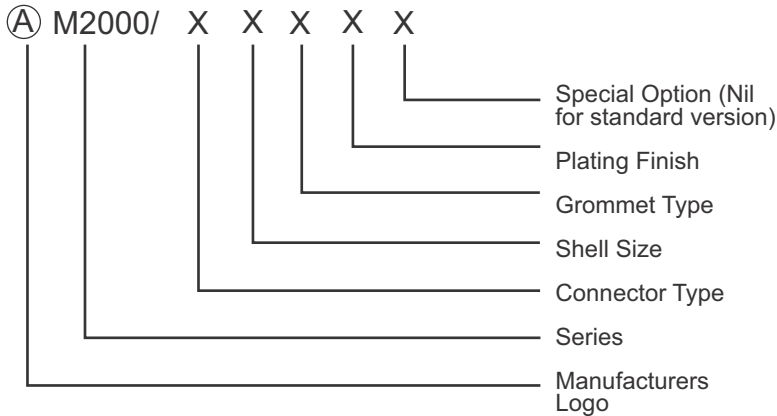


(09 TO 37 PIN)

(50 PIN)

| SR. NO. | CONNECTOR NO. | SHELL SIZE | 'A' | 'B' | 'C' | 'D' | 'E' | 'F' | 'G' | 'H' | 'J' | 'K' | 'L' | |
|---------|---------------|------------|-------|-------|-------|-------|-------|-------|-------|-------|-------|-------|-------|-------|
| 1 | M2000/1-1F | 09 | 30.43 | 16.21 | 24.87 | | | | | 19.02 | | | 0.51 | |
| | | | 31.19 | 16.46 | 25.12 | | | | | 19.53 | | | 1.02 | |
| 2 | M2000/1-2F | 15 | 38.76 | 24.54 | 33.20 | | | | | 27.25 | 10.46 | 0.89 | 0.51 | |
| | | | 39.52 | 24.79 | 33.45 | | | | | 27.76 | | | 1.02 | |
| 3 | M2000/1-3F | 25 | 52.65 | 38.25 | 46.91 | 7.77 | 8.03 | 12.17 | 10.64 | 6.05 | 41.02 | 10.97 | 1.52 | 0.74 |
| | | | 53.42 | 38.51 | 47.17 | | | | | | 12.93 | | | 41.53 |
| 4 | M2000/1-4F | 37 | 68.94 | 54.71 | 63.37 | | | | | 57.45 | | | 0.74 | |
| | | | 69.70 | 54.97 | 63.63 | | | | | 11.07 | | | 57.96 | 1.25 |
| 5 | M2000/1-5F | 50 | 66.55 | 52.30 | 60.99 | 10.62 | 10.87 | 14.99 | | 55.07 | 13.31 | 13.82 | 0.74 | |
| | | | 67.31 | 52.55 | 61.24 | | | | | 11.33 | | | 15.75 | 11.07 |

Series: M2000



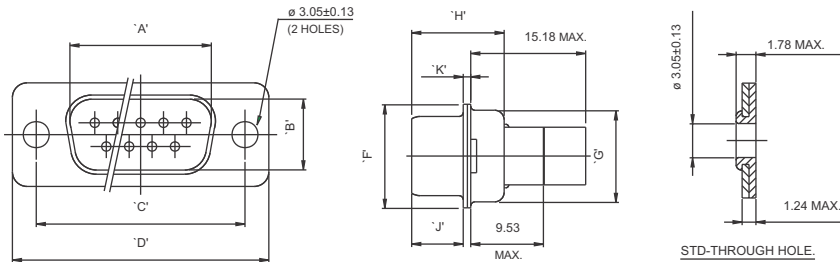
Connector Type : 4 - Plug Connector with Pin Contact Crimp Type, Rear Release, Rear Removable
 2 - Socket Connector with Socket Contact Crimp Type, Rear Release, Rear Removable
 G- Silicon Elastomer Grommet

Grommet Type :

Shell Size : 1-9 pin **Finish :** F-Cadmium plate with yellow passivation
 2-15 pin Z - Zinc Plated,
 3-25 pin N - Nickel Plated,
 4-37 pin TI - Tin Plated
 5-50 pin

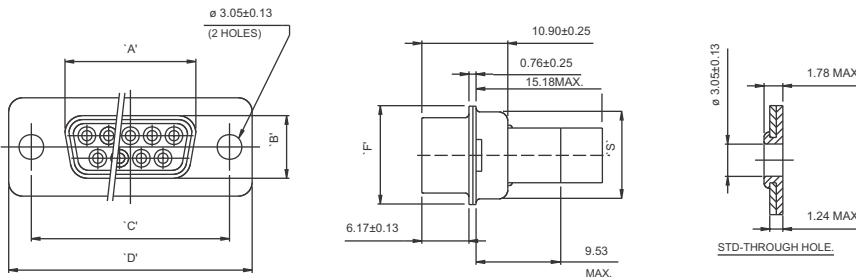
Special Option : L- Launch vehicle application

Plug Connector With Pin Contact (With Grommet) - Rear Removable



| Sr. NO. | CONNECTOR NO. | SHELL SIZE | 'A' ± 0.13 | 'B' ± 0.13 | 'C' ± 0.13 | 'D' ± 0.38 | 'E' ± 0.25 | 'F' ± 0.38 | 'G' ± 0.25 | 'H' ± 0.25 | 'J' ± 0.15 | 'K' ± 0.25 |
|---------|---------------|------------|------------|------------|------------|------------|------------|------------|------------|------------|------------|------------|
| 1 | ⊕M2000/4-1GF | 1 | 16.92 | 8.36 | 24.99 | 30.81 | 19.28 | 12.55 | 10.72 | 10.72 | 5.97 | 0.76 |
| 2 | ⊕M2000/4-2GF | 2 | 25.25 | 8.36 | 33.32 | 39.14 | 27.51 | 12.55 | 10.72 | 10.72 | 5.97 | 0.76 |
| 3 | ⊕M2000/4-3GF | 3 | 38.96 | 8.36 | 47.04 | 53.04 | 41.30 | 12.55 | 10.72 | 10.72 | 5.97 | 0.76 |
| 4 | ⊕M2000/4-4GF | 4 | 55.42 | 8.36 | 63.50 | 69.32 | 57.71 | 12.55 | 10.72 | 10.82 | 5.84 | 0.99 |
| 5 | ⊕M2000/4-5GF | 5 | 52.81 | 11.20 | 61.11 | 66.93 | 55.32 | 15.37 | 13.56 | 10.82 | 5.84 | 0.99 |

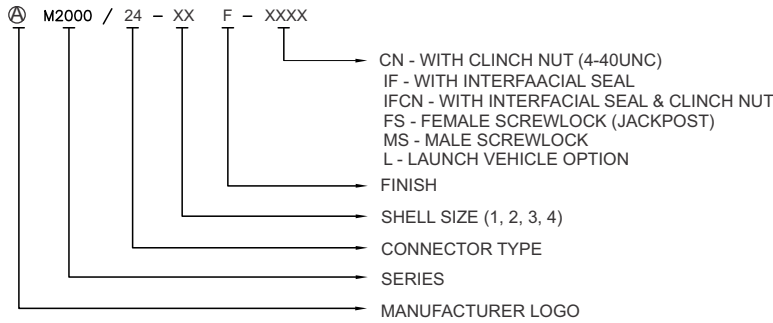
Receptacle Connector With Socket Contact (With Grommet) - Rear Removable



| Sr. NO. | CONNECTOR NO. | SHELL SIZE | 'A' ± 0.13 | 'B' ± 0.13 | 'C' ± 0.13 | 'D' ± 0.38 | 'E' ± 0.25 | 'F' ± 0.38 | 'G' ± 0.25 |
|---------|---------------|------------|------------|------------|------------|------------|------------|------------|------------|
| 1 | ⊕M2000/2-1GF | 1 | 16.33 | 7.90 | 24.99 | 30.81 | 19.28 | 12.55 | 10.72 |
| 2 | ⊕M2000/2-2GF | 2 | 24.66 | 7.90 | 33.32 | 39.14 | 27.51 | 12.55 | 10.72 |
| 3 | ⊕M2000/2-3GF | 3 | 38.38 | 7.90 | 47.04 | 53.04 | 41.30 | 12.55 | 10.72 |
| 4 | ⊕M2000/2-4GF | 4 | 54.84 | 7.90 | 63.50 | 69.32 | 57.71 | 12.55 | 10.72 |
| 5 | ⊕M2000/2-5GF | 5 | 52.43 | 10.74 | 61.11 | 66.93 | 55.32 | 15.37 | 13.56 |

Ordering Information For Straight PC Tail Type Connector (Plug Connector)

ORDERING INFORMATION STRAIGHT PC TAIL TYPE CONNECTORS



CONNECTOR TYPE:

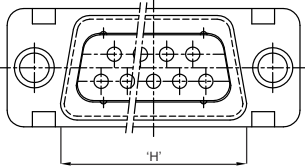
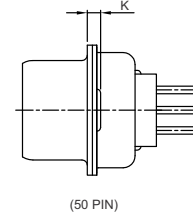
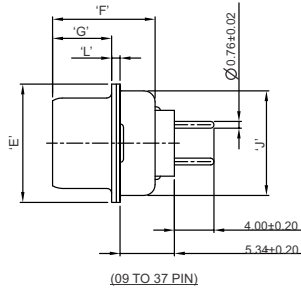
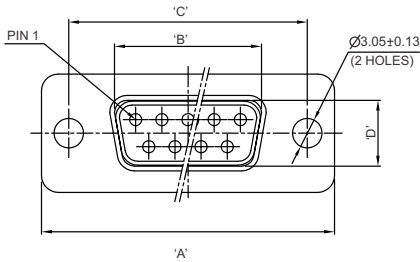
- 23 - RECEPTACLE CONNECTOR (PC TAIL TYPE)
- 24 - PLUG CONNECTOR (PC TAIL TYPE)

FINISH

- F - CADMIUM YELLOW PASSIVATED
- Z - ZINC YELLOW PASSIVATED
- K - ZINC NICKEL FINISH
- T - NICKEL PTFE FINISH
- TI - TIN PLATED

NOTE :

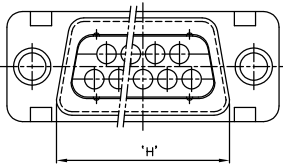
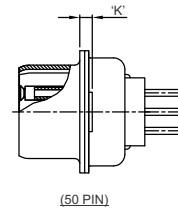
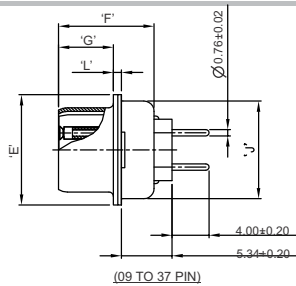
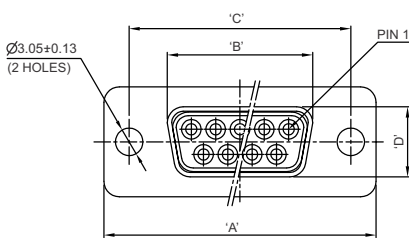
- BRASS BUSH (SPACER) WILL BE SUPPLIED LOOSE WITH THIS CONNECTOR (NOT APPLICABLE FOR CONNECTOR WITH CLINCH NUT)



DIMENSION TABLE (PLUG CONNECTOR)

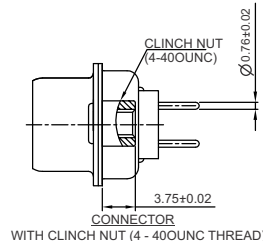
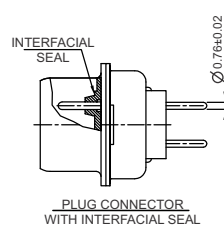
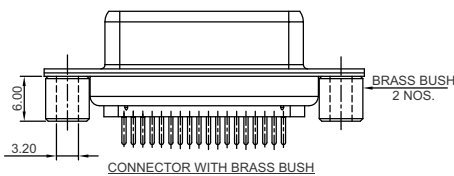
| SR. NO | CONNECTOR PART NO. | Shell Size | Std. Density No. of Pins | 'A' | 'B' | 'C' | 'D' | 'E' | 'F' | 'G' | 'H' | 'J' | 'K' | 'L' | |
|--------|--------------------|------------|--------------------------|-------|-------|-------|-------|-------|-----|-----|-----|-----|-----|-------|-------|
| 1 | M2000/24-1F | 1 | 09 | 30.43 | 16.79 | 24.87 | | | | | | | | 0.51 | |
| | | | | 31.19 | 17.04 | 25.12 | | | | | | | | 19.02 | 1.02 |
| 2 | M2000/24-2F | 2 | 15 | 38.76 | 25.12 | 33.20 | | | | | | | | 0.89 | |
| | | | | 39.52 | 25.37 | 33.45 | | | | | | | | 19.53 | 1.52 |
| 3 | M2000/24-3F | 3 | 25 | 52.65 | 38.84 | 46.91 | 8.23 | 12.17 | | | | | | | 0.74 |
| | | | | 53.42 | 39.09 | 47.17 | | | | | | | | | 12.93 |
| 4 | M2000/24-4F | 4 | 37 | 68.94 | 55.30 | 63.37 | | | | | | | | | 0.74 |
| | | | | 69.70 | 55.55 | 63.63 | | | | | | | | | 10.57 |
| 5 | M2000/24-5F | 5 | 50 | 66.55 | 52.65 | 60.99 | 11.07 | 14.99 | | | | | | | 0.74 |
| | | | | 67.31 | 52.93 | 61.24 | | | | | | | | | 11.33 |

For Straight PC Tail Type Connector (Receptacle)



DIMENSION TABLE (RECEPTACLE CONNECTOR)

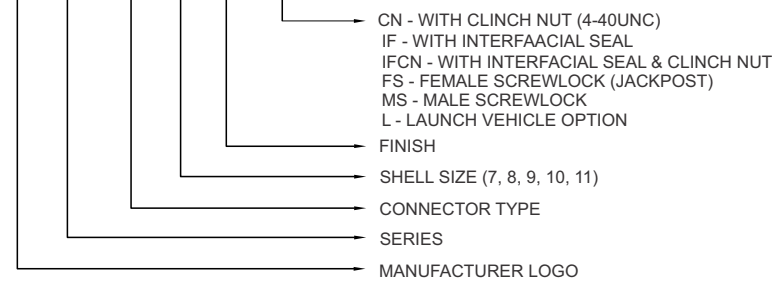
| SR. NO | CONNECTOR PART NO. | Shell Size | Std. Density No. of Pins | 'A' | 'B' | 'C' | 'D' | 'E' | 'F' | 'G' | 'H' | 'J' | 'K' | 'L' | |
|--------|--------------------|------------|--------------------------|-------|-------|-------|-------|-------|--------|------|-----|-----|-----|-------|-------|
| 1 | M2000/23-1F | 1 | 09 | 30.43 | 16.21 | 24.87 | | | | | | | | 0.51 | |
| | | | | 31.19 | 16.46 | 25.12 | | | | | | | | 19.02 | 1.02 |
| 2 | M2000/23-2F | 2 | 15 | 38.76 | 24.54 | 33.20 | | | | | | | | 0.51 | |
| | | | | 39.52 | 24.79 | 33.45 | | | | | | | | 19.53 | 1.02 |
| 3 | M2000/23-3F | 3 | 26 | 52.65 | 38.25 | 46.91 | 7.77 | 12.17 | 10.646 | 6.05 | | | | | 0.74 |
| | | | | 53.42 | 38.51 | 47.17 | | | | | | | | | 8.03 |
| 4 | M2000/23-4F | 4 | 37 | 68.94 | 34.71 | 63.37 | | | | | | | | | 0.74 |
| | | | | 69.70 | 34.97 | 63.63 | | | | | | | | | 57.45 |
| 5 | M2000/23-5F | 5 | 50 | 66.55 | 52.30 | 60.99 | 10.62 | 14.99 | | | | | | | 0.74 |
| | | | | 67.31 | 52.55 | 61.24 | | | | | | | | | 10.87 |



Ordering Information For Straight PC Tail Type Connector (Plug Connector)

ORDERING INFORMATION STRAIGHT PC TAIL TYPE CONNECTORS

Ⓐ M2000 / 24 - XX F - XXXX



CONNECTOR TYPE:

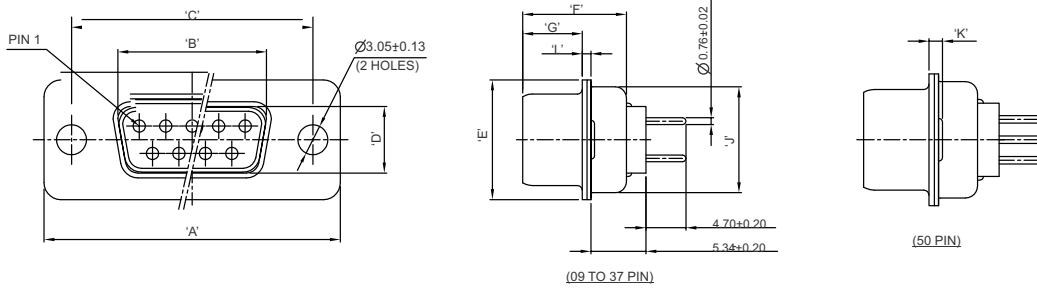
- 23 - RECEPTACLE CONNECTOR (PC TAIL TYPE)
- 24 - PLUG CONNECTOR (PC TAIL TYPE)

FINISH

- F - CADMIUM YELLOW PASSIVATED
- Z - ZINC YELLOW PASSIVATED
- K - ZINC NICKEL FINISH
- T - NICKEL PTFE FINISH
- TI - TIN PLATED

NOTE :

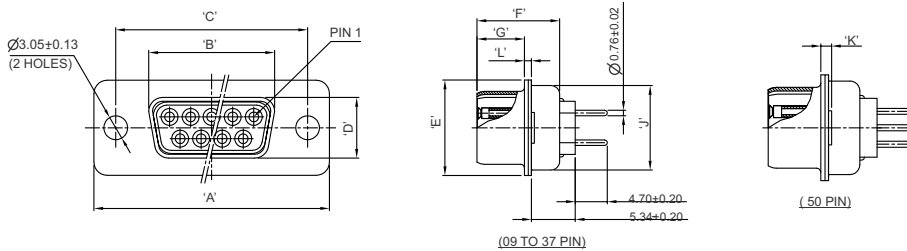
- BRASS BUSH (SPACER) WILL BE SUPPLIED LOOSE WITH THIS CONNECTOR (NOT APPLICABLE FOR CONNECTOR WITH CLINCH NUT)



DIMENSION TABLE (PLUG CONNECTOR)

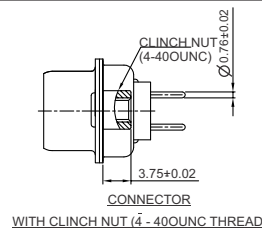
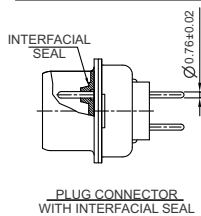
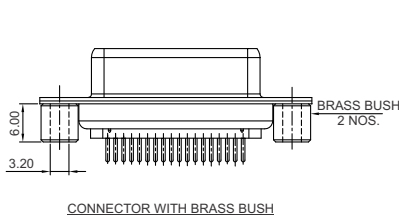
| SR. NO | CONNECTOR PART NO. | Shell Size | High Density No. of Pins | 'A' | 'B' | 'C' | 'D' | 'E' | 'F' | 'G' | 'H' | 'J' | 'K' | 'L' | |
|--------|--------------------|------------|--------------------------|-------|-------|-------|-------|-------|-------|------|-------|-------|------|------|-------|
| 1 | M2000/24-7F | 1 | 09 | 30.43 | 16.79 | 24.87 | | | 10.46 | | 19.02 | | | 0.51 | |
| | | | | 31.19 | 17.04 | 25.12 | | | 10.97 | | 19.53 | | | 0.51 | |
| 2 | M2000/24-8F | 2 | 15 | 38.76 | 25.12 | 33.20 | | | 10.46 | | 27.25 | | 0.89 | 0.51 | |
| | | | | 39.52 | 25.37 | 33.45 | | | 10.97 | | 27.76 | | | 1.52 | 1.02 |
| 3 | M2000/24-9F | 3 | 25 | 52.65 | 38.84 | 46.91 | 8.23 | 12.17 | 10.57 | 5.82 | 41.02 | 10.46 | | | 0.74 |
| | | | | 53.42 | 39.09 | 47.17 | | | 11.07 | | 12.93 | | | | 41.53 |
| 4 | M2000/24-10F | 4 | 37 | 68.94 | 55.30 | 63.37 | | | 10.57 | | 57.45 | | 1.27 | | 0.74 |
| | | | | 69.70 | 55.55 | 63.63 | | | 11.07 | | 57.96 | | | | 1.78 |
| 5 | M2000/24-11F | 5 | 50 | 66.55 | 52.65 | 60.99 | 11.07 | 14.99 | 10.57 | | 55.07 | 13.31 | | | 0.74 |
| | | | | 67.31 | 52.93 | 61.24 | | | 11.33 | | 15.75 | | | | 55.58 |

For Straight PC Tail Type Connector (Receptacle)



DIMENSION TABLE (RECEPTACLE CONNECTOR)

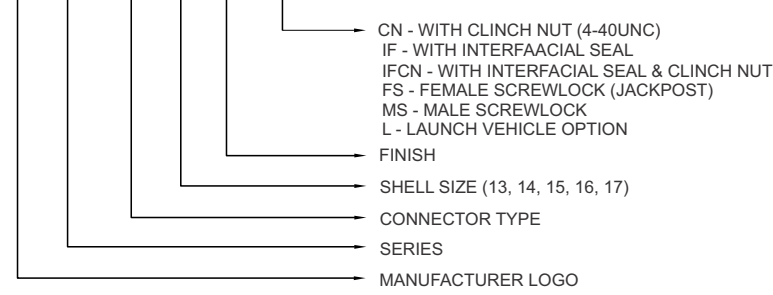
| SR. NO | CONNECTOR PART NO. | Shell Size | High Density No. of Pins | 'A' | 'B' | 'C' | 'D' | 'E' | 'F' | 'G' | 'H' | 'J' | 'K' | 'L' | |
|--------|--------------------|------------|--------------------------|-------|-------|-------|-------|-------|-------|------|-------|-------|------|------|-------|
| 1 | M2000/23-7F | 1 | 09 | 30.43 | 16.21 | 24.87 | | | | | 19.02 | | | 0.51 | |
| | | | | 31.19 | 16.46 | 25.12 | | | | | 19.53 | | | 0.51 | |
| 2 | M2000/23-8F | 2 | 15 | 38.76 | 24.54 | 33.20 | | | | | 27.25 | | | 0.51 | |
| | | | | 39.52 | 24.79 | 33.45 | | | | | 27.76 | | | 1.02 | |
| 3 | M2000/23-9F | 3 | 26 | 52.65 | 38.25 | 46.91 | 7.77 | 12.17 | 10.64 | 6.05 | 41.02 | 10.46 | 0.89 | | 0.74 |
| | | | | 53.42 | 38.51 | 47.17 | | | | | 8.03 | | | | 12.93 |
| 4 | M2000/23-10F | 4 | 37 | 68.94 | 34.71 | 63.37 | | | | | 57.45 | | | | 0.74 |
| | | | | 69.70 | 34.97 | 63.63 | | | | | 57.96 | | | | 1.25 |
| 5 | M2000/23-11F | 5 | 50 | 66.55 | 52.30 | 60.99 | 10.62 | 14.99 | | | 55.07 | 13.31 | | | 0.74 |
| | | | | 67.31 | 52.55 | 61.24 | | | | | 10.87 | | | | 15.75 |



Ordering Information For Straight PC Tail Type Connector (Plug)

ORDERING INFORMATION STRAIGHT PC TAIL TYPE CONNECTORS

Ⓐ M2000 / 24 - XX F - XXXX



CONNECTOR TYPE:

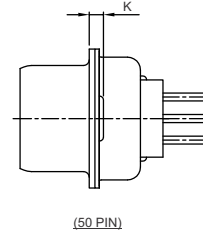
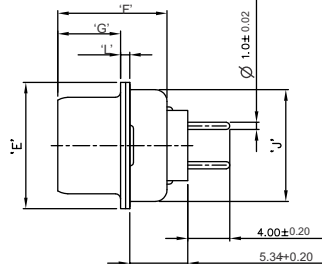
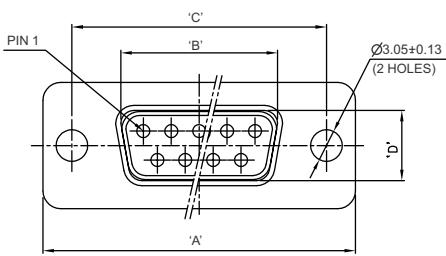
- 23 - RECEPTACLE CONNECTOR (PC TAIL TYPE)
- 24 - PLUG CONNECTOR (PC TAIL TYPE)

FINISH

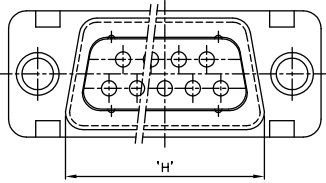
- F - CADMIUM YELLOW PASSIVATED
- Z - ZINC YELLOW PASSIVATED
- K - ZINC NICKEL FINISH
- T - NICKEL PTFE FINISH
- TI - TIN PLATED

NOTE :

- BRASS BUSH (SPACER) WILL BE SUPPLIED LOOSE WITH THIS CONNECTOR (NOT APPLICABLE FOR CONNECTOR WITH CLINCH NUT)



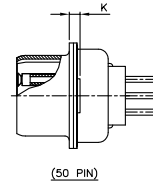
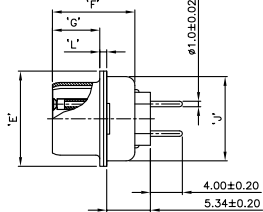
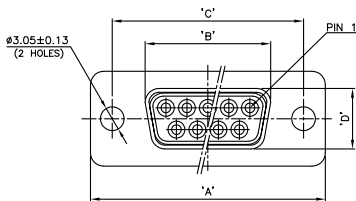
(09 TO 37 PIN)



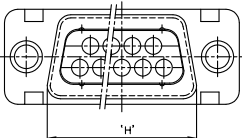
DIMENSION TABLE (PLUG CONNECTOR)

| SR. NO | CONNECTOR PART NO. | Shell Size | High Density No. of Pins | 'A' | 'B' | 'C' | 'D' | 'E' | 'F' | 'G' | 'H' | 'J' | 'K' | 'L' |
|--------|--------------------|------------|--------------------------|-------|-------|-------|-------|-------|-----|-----|-----|-----|-----|-----|
| 1 | M2000/24-13F | 1 | 09 | 30.43 | 16.79 | 24.87 | | | | | | | | |
| | | | | 31.19 | 17.04 | 25.12 | | | | | | | | |
| 2 | M2000/24-14F | 2 | 15 | 38.76 | 25.12 | 33.20 | | | | | | | | |
| | | | | 39.52 | 25.37 | 33.45 | | | | | | | | |
| 3 | M2000/24-15F | 3 | 25 | 52.65 | 38.84 | 46.91 | 8.23 | 12.17 | | | | | | |
| | | | | 53.42 | 39.09 | 47.17 | | | | | | | | |
| 4 | M2000/24-16F | 4 | 37 | 68.94 | 55.30 | 63.37 | | | | | | | | |
| | | | | 69.70 | 55.55 | 63.63 | | | | | | | | |
| 5 | M2000/24-17F | 5 | 50 | 66.55 | 52.65 | 60.99 | 11.07 | 14.99 | | | | | | |
| | | | | 67.31 | 52.93 | 61.24 | | | | | | | | |

For Straight PC Tail Type Connector (Receptacle)

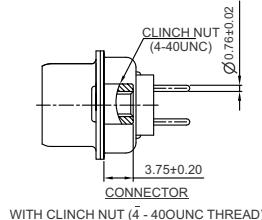
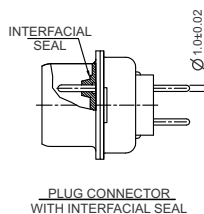
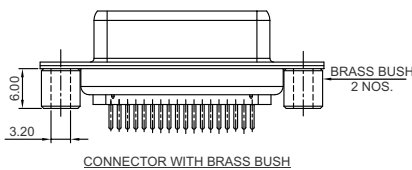


(09 TO 37 PIN)



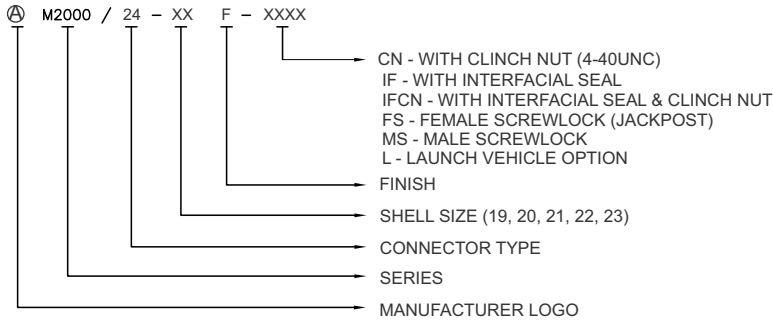
DIMENSION TABLE (RECEPTACLE CONNECTOR)

| SR. NO | CONNECTOR PART NO. | Shell Size | High Density No. of Pins | 'A' | 'B' | 'C' | 'D' | 'E' | 'F' | 'G' | 'H' | 'J' | 'K' | 'L' |
|--------|--------------------|------------|--------------------------|-------|-------|-------|-------|-------|-----|-----|-----|-----|-----|-----|
| 1 | M2000/23-13F | 1 | 09 | 30.43 | 16.21 | 24.87 | | | | | | | | |
| | | | | 31.19 | 16.46 | 25.12 | | | | | | | | |
| 2 | M2000/23-14F | 2 | 15 | 38.76 | 24.54 | 33.20 | | | | | | | | |
| | | | | 39.52 | 24.79 | 33.45 | | | | | | | | |
| 3 | M2000/23-15F | 3 | 26 | 52.65 | 38.25 | 46.91 | 7.77 | 12.17 | | | | | | |
| | | | | 53.42 | 38.51 | 47.17 | | | | | | | | |
| 4 | M2000/23-16F | 4 | 37 | 68.94 | 34.71 | 63.37 | | | | | | | | |
| | | | | 69.70 | 34.97 | 63.63 | | | | | | | | |
| 5 | M2000/23-17F | 5 | 50 | 66.55 | 52.30 | 60.99 | 10.62 | 14.99 | | | | | | |
| | | | | 67.31 | 52.55 | 61.24 | | | | | | | | |



Ordering Information For Straight PC Tail Type Connector (Plug)

ORDERING INFORMATION STRAIGHT PC TAIL TYPE CONNECTORS



CONNECTOR TYPE:

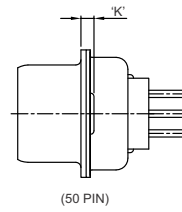
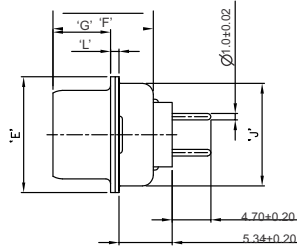
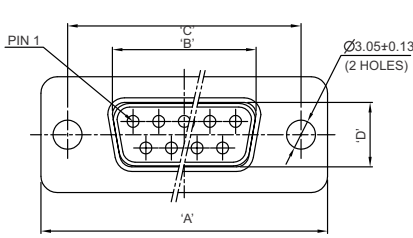
- 23 - RECEPTACLE CONNECTOR (PC TAIL TYPE)
- 24 - PLUG CONNECTOR (PC TAIL TYPE)

FINISH

- F - CADMIUM YELLOW PASSIVATED
- Z - ZINC YELLOW PASSIVATED
- K - ZINC NICKEL FINISH
- T - NICKEL PTFE FINISH
- TI - TIN PLATED

NOTE :

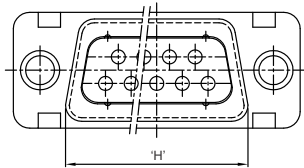
- BRASS BUSH (SPACER) WILL BE SUPPLIED LOOSE WITH THIS CONNECTOR (NOT APPLICABLE FOR CONNECTOR WITH CLINCH NUT)



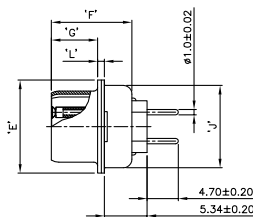
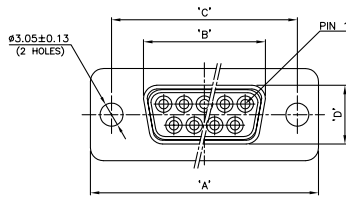
(09 TO 37 PIN)

DIMENSION TABLE (PLUG CONNECTOR)

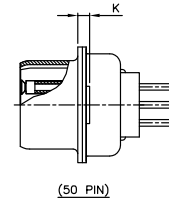
| SR. NO. | CONNECTOR PART NO. | Shell Size | High Density No. of Pins | 'A' | 'B' | 'C' | 'D' | 'E' | 'F' | 'G' | 'H' | 'J' | 'K' | 'L' |
|---------|--------------------|------------|--------------------------|----------------|----------------|----------------|----------------|----------------|----------------|--------------|----------------|----------------|------|--------------|
| 1 | M2000/24-19F | 1 | 09 | 30.43 31.19 | 16.79 17.04 | 24.87 25.12 | | | 10.46 10.97 | | 19.02 19.53 | | | 0.51 1.02 |
| 2 | M2000/24-20F | 2 | 15 | 38.76 39.52 | 25.12 25.37 | 33.20 33.45 | | | 10.46 10.97 | | 27.25 27.76 | | 0.89 | 0.51 1.02 |
| 3 | M2000/24-21F | 3 | 25 | 52.65 53.42 | 38.84 39.09 | 46.91 47.17 | 8.23 8.48 | 12.17 12.93 | 10.57 11.07 | 5.82 6.05 | 41.02 41.53 | 10.46 10.97 | | 0.74 1.25 |
| 4 | M2000/24-22F | 4 | 37 | 68.94 69.70 | 55.30 55.55 | 63.37 63.63 | | | 10.57 11.07 | | 57.45 57.96 | | 1.27 | 0.74 1.25 |
| 5 | M2000/24-23F | 5 | 50 | 66.55 67.31 | 52.65 52.93 | 60.99 61.24 | 11.07 11.33 | 14.99 15.75 | 10.57 11.07 | | 55.07 55.58 | 13.31 13.82 | | 0.74 1.25 |



For Straight PC Tail Type Connector (Receptacle)

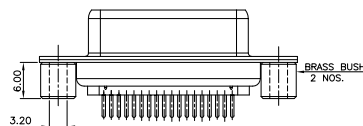


(09 TO 37 PIN)

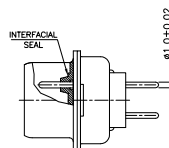


DIMENSION TABLE (RECEPTACLE CONNECTOR) :-

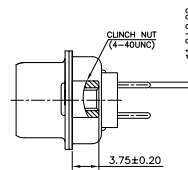
| SR. NO. | CONNECTOR PART NO. | SHELL SIZE | STANDARD DENSITY NO. OF PIN'S | 'A' | 'B' | 'C' | 'D' | 'E' | 'F' | 'G' | 'H' | 'J' | 'K' | 'L' |
|---------|--------------------|------------|-------------------------------|----------------|----------------|----------------|----------------|----------------|----------------|--------------|----------------|----------------|--------------|--------------|
| 1 | M2000/23-19F | 1 | 09 | 30.43 31.19 | 16.21 16.46 | 24.87 25.12 | | | | | 19.02 19.53 | | | 0.51 1.02 |
| 2 | M2000/23-20F | 2 | 15 | 38.76 39.52 | 24.54 24.79 | 33.20 33.45 | | | | | 27.25 27.76 | | | 0.51 1.02 |
| 3 | M2000/23-21F | 3 | 26 | 52.65 53.42 | 38.25 38.51 | 46.91 47.17 | 7.77 8.03 | 12.17 12.93 | 10.64 11.15 | 6.05 6.30 | 41.02 41.53 | 10.46 10.97 | 0.89 1.52 | 0.74 1.25 |
| 4 | M2000/23-22F | 4 | 37 | 68.94 69.70 | 54.71 54.97 | 63.37 63.63 | | | | | 57.45 57.96 | | | 0.74 1.25 |
| 5 | M2000/23-23F | 5 | 50 | 66.55 67.31 | 52.30 52.55 | 60.99 61.24 | 10.62 10.87 | 14.99 15.75 | | | 55.07 55.58 | 13.31 13.82 | | 0.74 1.25 |



CONNECTOR WITH BRASS BUSH



PLUG CONNECTOR WITH INTERFACIAL SEAL

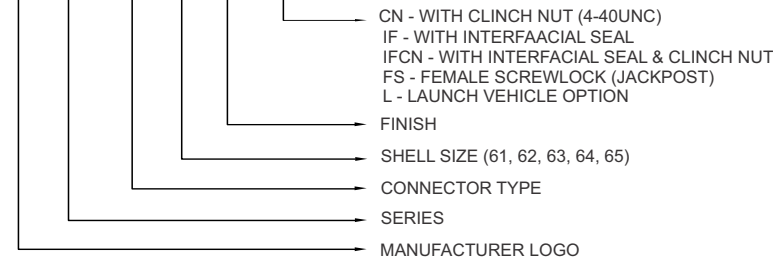


CONNECTOR WITH CLINCH NUT (4-40UNC THREAD)

Ordering Information For High Density Straight PC Tail Type Connector (Plug)

ORDERING INFORMATION PC TAIL TYPE (L=4.00MM) CONNECTORS

M2000 / 24 - XX F - XXXX



CONNECTOR TYPE:

- 23 - RECEPTACLE CONNECTOR (PC TAIL TYPE)
- 24 - PLUG CONNECTOR (PC TAIL TYPE)

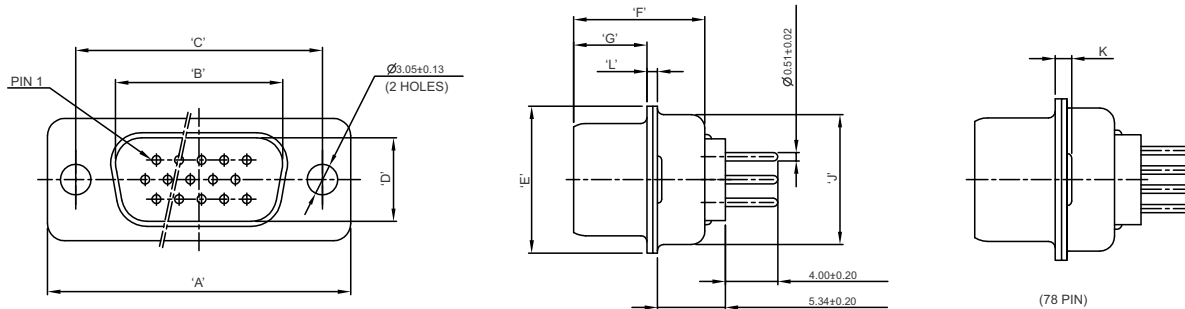
FINISH

- F - CADMIUM YELLOW PASSIVATED
- Z - ZINC YELLOW PASSIVATED
- K - ZINC NICKEL FINISH
- T - NICKEL PTFE FINISH
- TI - TIN PLATED

NOTE :

- BRASS BUSH (SPACER) WILL BE SUPPLIED LOOSE WITH THIS CONNECTOR (NOT APPLICABLE FOR CONNECTOR WITH CLINCH NUT)

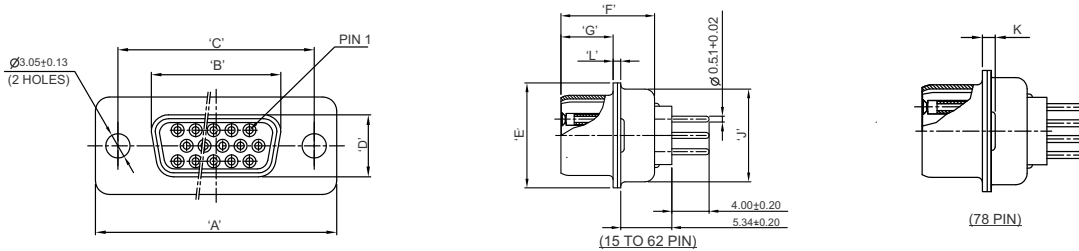
For Straight PC Tail Type Connector (Plug)



(15 TO 62 PIN)
DIMENSION TABLE (PLUG CONNECTOR)

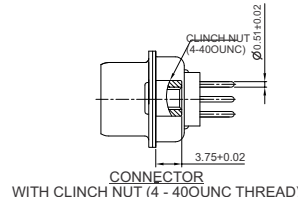
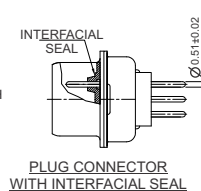
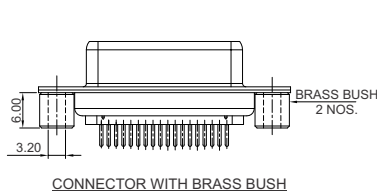
| SR. NO | CONNECTOR PART NO. | Shell Size | High Density No. of Pins | 'A' | 'B' | 'C' | 'D' | 'E' | 'F' | 'G' | 'H' | 'J' | 'K' | 'L' |
|--------|--------------------|------------|--------------------------|----------------|----------------|----------------|----------------|----------------|----------------|-----|----------------|----------------|-----|----------------|
| 1 | M2000/24-61F | 1 | 15 | 30.43 31.19 | 16.79 17.04 | 24.87 25.12 | | | 10.46 10.97 | | 19.02 19.53 | | | 24.87 25.12 |
| 2 | M2000/24-62F | 2 | 26 | 38.76 39.52 | 25.12 25.37 | 33.20 33.45 | | | 10.46 10.97 | | 27.25 27.76 | | | 33.20 33.45 |
| 3 | M2000/24-63F | 3 | 44 | 52.65 53.42 | 38.84 39.09 | 46.91 47.17 | 8.23 8.48 | 12.17 12.93 | 10.57 11.07 | | 41.02 41.53 | 10.46 10.97 | | 46.91 47.17 |
| 4 | M2000/24-64F | 4 | 62 | 68.94 69.70 | 55.30 55.55 | 63.37 63.63 | | | 10.57 11.07 | | 57.45 57.96 | | | 63.37 63.63 |
| 5 | M2000/24-65F | 5 | 78 | 66.55 67.31 | 52.68 52.93 | 60.99 61.24 | 11.07 11.33 | 14.99 15.75 | 10.57 11.07 | | 55.07 55.58 | 13.31 13.82 | | 60.99 61.24 |

For Straight PC Tail Type Connector (Receptacle)



(15 TO 62 PIN)
DIMENSION TABLE (RECEPTACLE CONNECTOR)

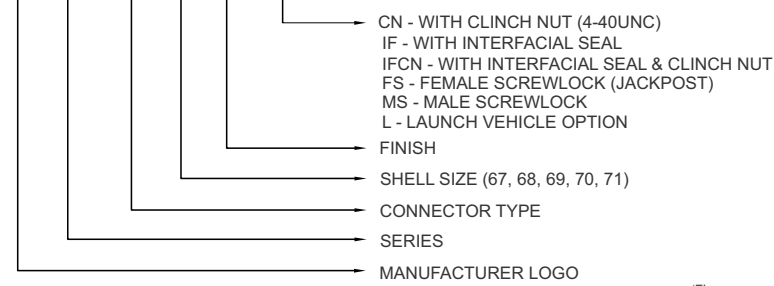
| SR. NO | CONNECTOR PART NO. | Shell Size | High Density No. of Pins | 'A' | 'B' | 'C' | 'D' | 'E' | 'F' | 'G' | 'H' | 'J' | 'K' | 'L' |
|--------|--------------------|------------|--------------------------|----------------|----------------|----------------|----------------|----------------|----------------|--------------|----------------|----------------|--------------|--------------|
| 1 | M2000/23-61F | 1 | 15 | 30.43 31.19 | 16.21 16.46 | 24.87 25.12 | | | | | 19.02 19.53 | | | 0.51 1.02 |
| 2 | M2000/23-62F | 2 | 26 | 38.76 39.52 | 24.54 24.79 | 33.20 33.45 | | | | | 27.25 27.76 | | | 0.51 1.02 |
| 3 | M2000/23-63F | 3 | 44 | 52.65 53.42 | 38.25 38.51 | 46.91 47.17 | 7.77 8.03 | 12.17 12.93 | 10.46 11.15 | 8.05 6.30 | 41.02 41.53 | 10.46 10.97 | 0.89 1.52 | 0.74 1.25 |
| 4 | M2000/23-64F | 4 | 62 | 68.94 69.70 | 34.71 34.97 | 63.37 63.63 | | | | | 57.45 57.96 | | | 0.74 1.25 |
| 5 | M2000/23-65F | 5 | 78 | 66.55 67.31 | 52.30 52.55 | 60.99 61.24 | 10.62 10.87 | 14.99 15.75 | | | 55.07 55.58 | 13.31 13.82 | | 0.74 1.25 |



Ordering Information For High Density Straight PC Tail Type Connector

ORDERING INFORMATION STRAIGHT PC TAIL TYPE CONNECTORS

M2000 / 24 - XX F - XXXX



CONNECTOR TYPE:

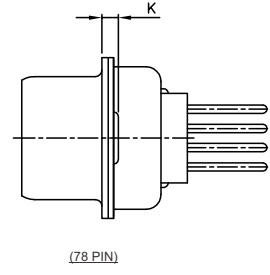
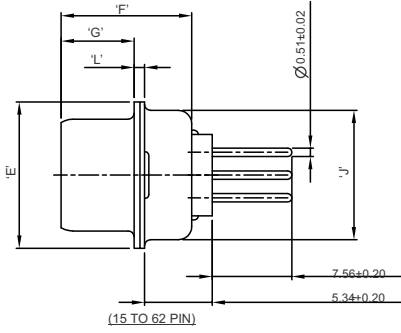
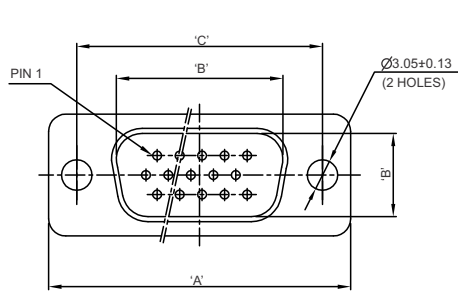
- 23 - RECEPTACLE CONNECTOR (PC TAIL TYPE)
- 24 - PLUG CONNECTOR (PC TAIL TYPE)

FINISH

- F - CADMIUM YELLOW PASSIVATED
- Z - ZINC YELLOW PASSIVATED
- K - ZINC NICKEL FINISH
- T - NICKEL PTFE FINISH
- TI - TIN PLATED

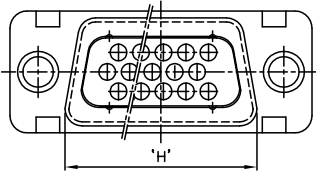
NOTE :

1. BRASS BUSH (SPACER) WILL BE SUPPLIED LOOSE WITH THIS CONNECTOR (NOT APPLICABLE FOR CONNECTOR WITH CLINCH NUT)

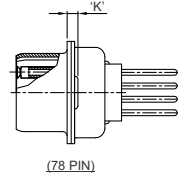
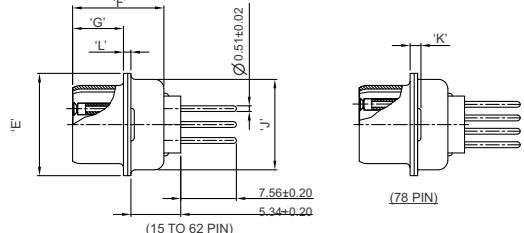
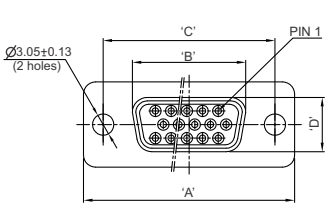


DIMENSION TABLE (PLUG CONNECTOR)

| SR. NO. | CONNECTOR PART NO. | Shell Size | High Density No. of Pins | 'A' | 'B' | 'C' | 'D' | 'E' | 'F' | 'G' | 'H' | 'J' | 'K' | 'L' |
|---------|--------------------|------------|--------------------------|----------------|----------------|----------------|----------------|----------------|----------------|--------------|----------------|----------------|--------------|--------------|
| | | | | 30.43 31.19 | 16.79 17.04 | 24.87 25.12 | | | | | | | | |
| 1 | M2000/24-67F | 1 | 15 | 30.43 31.19 | 16.79 17.04 | 24.87 25.12 | | | 10.46 10.97 | | 19.02 19.53 | | | 0.51 1.02 |
| 2 | M2000/24-68F | 2 | 26 | 38.76 39.52 | 25.12 25.37 | 33.20 33.45 | | | 10.46 10.97 | | 27.25 27.76 | | 0.89 1.52 | 0.51 1.02 |
| 3 | M2000/24-69F | 3 | 44 | 52.65 53.42 | 38.84 39.09 | 46.91 47.17 | 8.23 8.48 | 12.17 12.93 | 10.57 11.07 | 5.82 6.05 | 41.02 41.53 | 10.46 10.97 | | 0.74 1.25 |
| 4 | M2000/24-70F | 4 | 62 | 68.94 69.70 | 55.30 55.55 | 63.37 63.63 | | | 10.57 11.07 | | 57.45 57.96 | | 1.27 1.78 | 0.74 1.25 |
| 5 | M2000/24-71F | 5 | 78 | 66.55 67.31 | 52.65 52.93 | 60.99 61.24 | 11.07 11.33 | 14.99 15.75 | 10.57 11.07 | | 55.07 55.58 | 13.31 13.82 | | 0.74 1.25 |

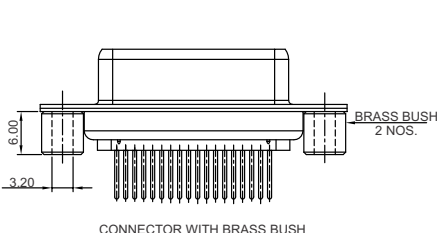


For Straight PC Tail Type Connector (Receptacle)

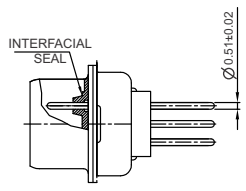


DIMENSION TABLE (RECEPTACLE CONNECTOR)

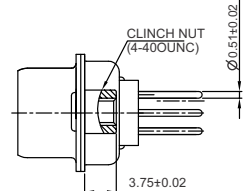
| SR. NO. | CONNECTOR PART NO. | Shell Size | High Density No. of Pins | 'A' | 'B' | 'C' | 'D' | 'E' | 'F' | 'G' | 'H' | 'J' | 'K' | 'L' |
|---------|--------------------|------------|--------------------------|----------------|----------------|----------------|----------------|----------------|----------------|--------------|----------------|----------------|--------------|--------------|
| | | | | 30.43 31.19 | 16.21 16.46 | 24.87 25.12 | | | | | | | | |
| 1 | M2000/23-67F | 1 | 15 | 30.43 31.19 | 16.21 16.46 | 24.87 25.12 | | | | | 19.02 19.53 | | | 0.51 1.02 |
| 2 | M2000/23-68F | 2 | 26 | 38.76 39.52 | 24.54 24.79 | 33.20 33.45 | | | | | 27.25 27.76 | | | 0.51 1.02 |
| 3 | M2000/23-69F | 3 | 44 | 52.65 53.42 | 38.25 38.51 | 46.91 47.17 | 7.77 8.03 | 12.17 12.93 | 10.46 11.15 | 8.05 6.30 | 41.02 41.53 | 10.46 10.97 | 0.89 1.52 | 0.74 1.25 |
| 4 | M2000/23-70F | 4 | 62 | 68.94 69.70 | 34.71 34.97 | 63.37 63.63 | | | | | 57.45 57.96 | | | 0.74 1.25 |
| 5 | M2000/23-71F | 5 | 78 | 66.55 67.31 | 52.30 52.55 | 60.99 61.24 | 10.62 10.87 | 14.99 15.75 | | | 55.07 55.58 | 13.31 13.82 | | 0.74 1.25 |



CONNECTOR WITH BRASS BUSH

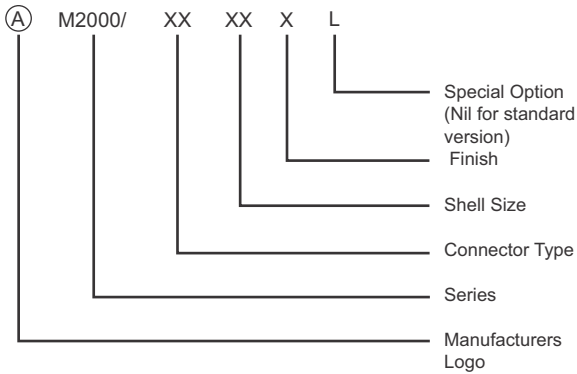


PLUG CONNECTOR WITH INTERFACIAL SEAL



CONNECTOR WITH CLINCH NUT (4 - 40OUNG THREAD)

Ordering information For Standard D-Sub Connector Right Angle PC Tail Contact (Plug)



Series: M2000

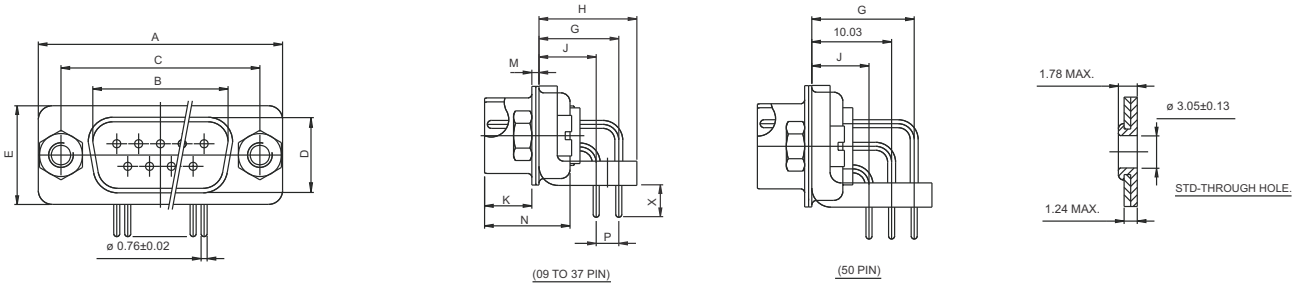
Connector Type : 24 - Right angle Plug Connector with PC Tail Contact
23 - Right angle Receptacle Connector with PC Tail Contact

Shell Size : 31 - 9 Pin with right angle PC Tail contact with 3.96 mm PC Tail length from Mounting Bracket
32 - 15 Pin with right angle PC Tail contact with 3.96 mm PC Tail length from Mounting Bracket
33 - 25 Pin with right angle PC Tail contact with 3.96 mm PC Tail length from Mounting Bracket
34 - 37 Pin with right angle PC Tail contact with 3.96 mm PC Tail length from Mounting Bracket
35 - 50 Pin with right angle PC Tail contact with 3.96 mm PC Tail length from Mounting Bracket

Finish : F - Cadmium plate with yellow passivation
Z - Zinc Plated, N - Nickel Plated,
TI - Tin Plated

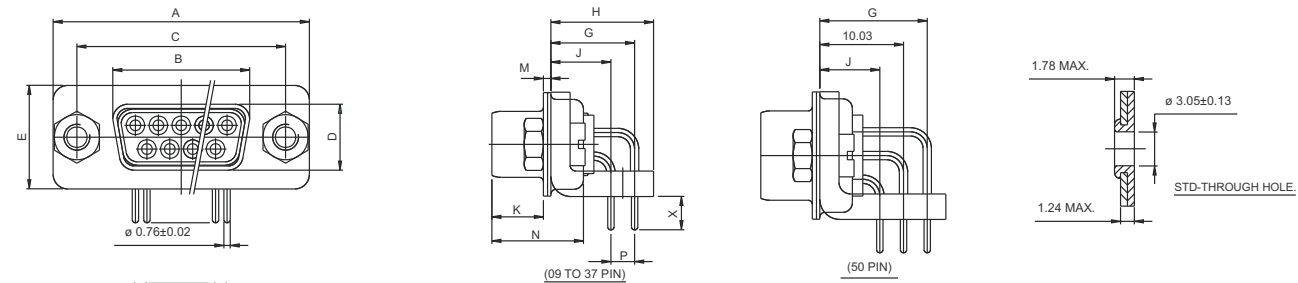
Special Option : L- Launch vehicle application

Plug Connector With Pin Contact, Right Angle PC Tail Contact



| Sr. NO. | CONNECTOR NO. | SHELL SIZE | DIMENSIONS | | | | | | | | | | | | | |
|---------|---------------|------------|------------|---------|---------|---------|---------|---------|---------|---------|-----------|---------|---------|---------|---------|---------|
| | | | A ±0.38 | B ±0.13 | C ±0.13 | D ±0.38 | E ±0.38 | G ±0.25 | H ±0.25 | J ±0.25 | K ±0.25 | M ±0.25 | N ±0.25 | P ±0.10 | S ±0.25 | X ±0.20 |
| 1 | M2000/24-31F | 9 | 30.81 | 16.92 | 24.99 | 8.36 | 12.55 | 10.03 | 12.29 | 7.19 | 6.04/5.82 | 0.76 | 10.72 | 2.84 | 19.28 | 3.96 |
| 2 | M2000/24-32F | 15 | 39.14 | 25.25 | 33.33 | | | | | | 27.51 | | | | | |
| 3 | M2000/24-33F | 25 | 53.04 | 38.96 | 47.04 | | | | | | 29.59 | | | | | |
| 4 | M2000/24-34F | 37 | 69.32 | 55.42 | 63.50 | | | | | | 57.71 | | | | | |
| 5 | M2000/24-35F | 50 | 66.93 | 52.81 | 61.11 | | | | | | 55.32 | | | | | |

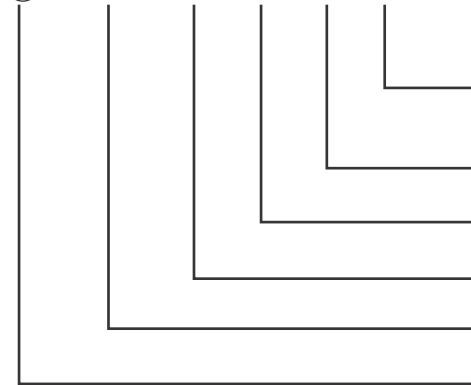
Receptacle Connector With Socket Contact, Right Angle PC Tail Contact



| Sr. NO. | CONNECTOR NO. | SHELL SIZE | DIMENSIONS | | | | | | | | | | | | | |
|---------|---------------|------------|------------|---------|---------|---------|---------|---------|---------|---------|-----------|---------|---------|---------|---------|---------|
| | | | A ±0.38 | B ±0.13 | C ±0.13 | D ±0.38 | E ±0.38 | G ±0.25 | H ±0.25 | J ±0.25 | K ±0.25 | M ±0.25 | N ±0.25 | P ±0.10 | S ±0.25 | X ±0.20 |
| 1 | M2000/23-31F | 9 | 30.81 | 16.33 | 24.99 | 7.90 | 12.55 | 10.03 | 12.29 | 7.19 | 6.30/6.04 | 0.76 | 10.90 | 2.84 | 19.28 | 3.96 |
| 2 | M2000/23-32F | 15 | 39.14 | 24.66 | 33.33 | | | | | | | 27.51 | | | | |
| 3 | M2000/23-33F | 25 | 53.04 | 38.38 | 47.04 | | | | | | | 29.59 | | | | |
| 4 | M2000/23-34F | 37 | 69.32 | 54.84 | 63.50 | | | | | | | 57.71 | | | | |
| 5 | M2000/23-35F | 50 | 66.93 | 52.43 | 61.11 | | | | | | | 55.32 | | | | |



① M2000 XX XX X X



Special option
(Nil for standard version)
Plating Finish

Shell Size

Connector Type

Series

Manufacturers Logo

Series: M2000

Connector Type 24- Right angle type Plug Connectors with PC Tail length
23- Right angle Receptacle Connector with PC Tail Contact

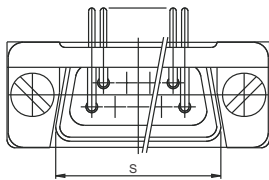
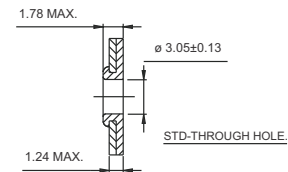
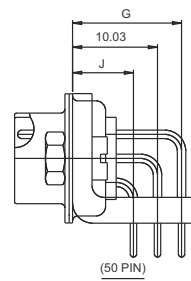
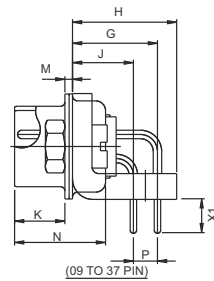
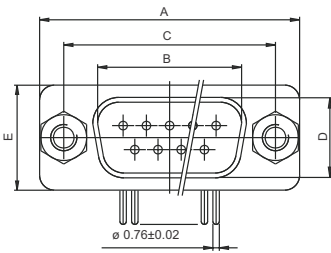
Shell Size :

- 49 - 9PinRight angle PC Tail contact with 4.78mm PC Tail length from Mounting Bracket
- 50 - 15PinRight angle PC Tail contact with 4.78mm PC Tail length from Mounting Bracket
- 51 - 25PinRight angle PC Tail contact with 4.78mm PC Tail length from Mounting Bracket
- 52 - 37PinRight angle PC Tail contact with 4.78mm PC Tail length from Mounting Bracket
- 53 - 50PinRight angle PC Tail contact with 4.78mm PC Tail length from Mounting Bracket

Finish : F - Cadmium plate with yellow passivation
Z - Zinc Plated, N - Nickel Plated,
TI - Tin Plated

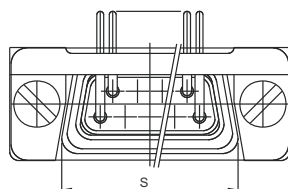
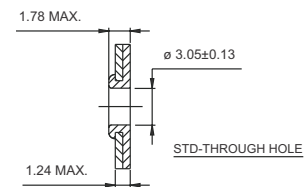
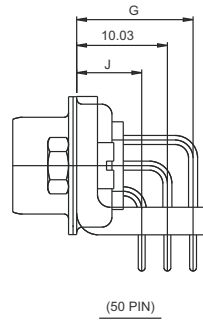
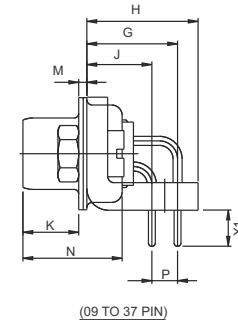
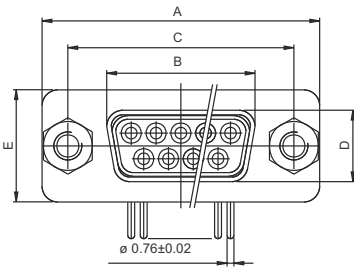
Special Option : L- Launch vehicle application

Plug Connector With Pin Contact, Right Angle PC Tail contact



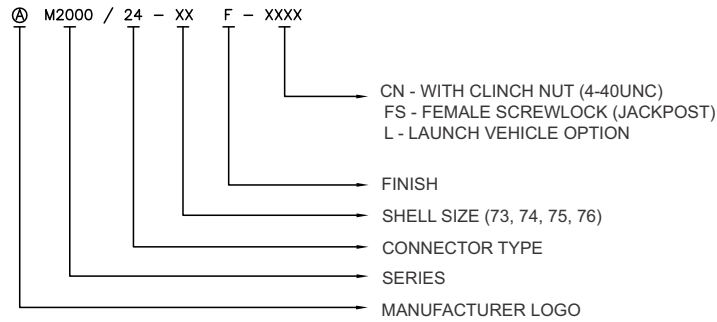
| Sr. NO. | CONNECTOR NO. | SHELL SIZE | DIMENSIONS | | | | | | | | | | | | | |
|---------|---------------|------------|------------|---------|---------|---------|---------|---------|---------|---------|-----------|---------|---------|---------|---------|----------|
| | | | A ±0.38 | B ±0.13 | C ±0.13 | D ±0.38 | E ±0.38 | G ±0.25 | H ±0.25 | J ±0.25 | K | M ±0.25 | N ±0.25 | P ±0.10 | S ±0.25 | X1 ±0.20 |
| 1 | ⓄM2000/24-49F | 9 | 30.81 | 16.92 | 24.99 | 8.36 | 12.55 | 10.03 | 12.29 | 7.19 | 6.04/5.82 | 0.76 | 10.72 | 2.84 | 19.28 | 4.78 |
| 2 | ⓄM2000/24-50F | 15 | 39.14 | 25.25 | 33.33 | | | | | | | | | | 27.51 | |
| 3 | ⓄM2000/24-51F | 25 | 53.04 | 38.96 | 47.04 | | | | | | | | | | 29.59 | |
| 4 | ⓄM2000/24-52F | 37 | 69.32 | 55.42 | 63.50 | | | | | | | | | | 57.71 | |
| 5 | ⓄM2000/24-53F | 50 | 66.93 | 52.81 | 61.11 | | | | | | | | | | 55.32 | |

Receptacle Connector With Socket Contact, Right Angle PC Tail Contact



| Sr. NO. | CONNECTOR NO. | SHELL SIZE | DIMENSIONS | | | | | | | | | | | | | |
|---------|---------------|------------|------------|---------|---------|---------|---------|---------|---------|---------|-----------|---------|---------|---------|---------|----------|
| | | | A ±0.38 | B ±0.13 | C ±0.13 | D ±0.38 | E ±0.38 | G ±0.25 | H ±0.25 | J ±0.25 | K | M ±0.25 | N ±0.25 | P ±0.10 | S ±0.25 | X1 ±0.20 |
| 1 | ⓄM2000/23-49F | 9 | 30.81 | 16.33 | 24.99 | 7.90 | 12.55 | 10.03 | 12.29 | 7.19 | 6.30/6.04 | 0.76 | 10.90 | 2.84 | 19.28 | 4.78 |
| 2 | ⓄM2000/23-50F | 15 | 39.14 | 24.66 | 33.33 | | | | | | | | | | 27.51 | |
| 3 | ⓄM2000/23-51F | 25 | 53.04 | 38.38 | 47.04 | | | | | | | | | | 29.59 | |
| 4 | ⓄM2000/23-52F | 37 | 69.32 | 54.84 | 63.50 | | | | | | | | | | 57.71 | |
| 5 | ⓄM2000/23-53F | 50 | 66.93 | 52.43 | 61.11 | | | | | | | | | | 55.32 | |

ORDERING INFORMATION R/A PC TAIL CONNECTORS



CONNECTOR TYPE:

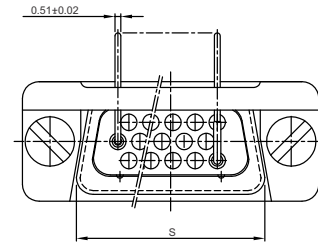
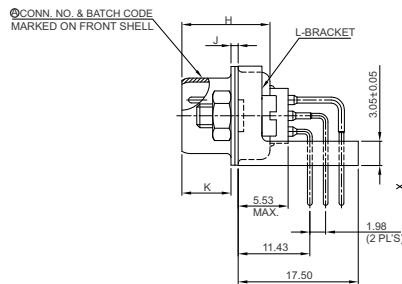
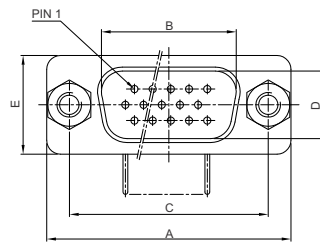
- 23 - RECEPTACLE CONNECTOR (PC TAIL TYPE)
- 24 - PLUG CONNECTOR (PC TAIL TYPE)

FINISH

- F - CADMIUM YELLOW PASSIVATED
- Z - ZINC YELLOW PASSIVATED
- K - ZINC NICKEL FINISH
- T - NICKEL PTFE FINISH
- TI - TIN PLATED

NOTE :

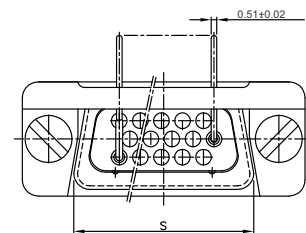
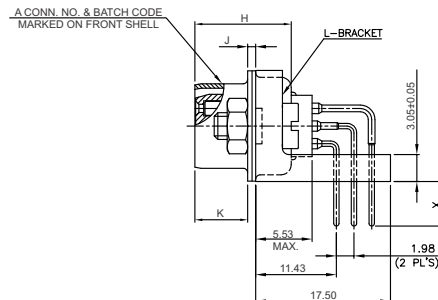
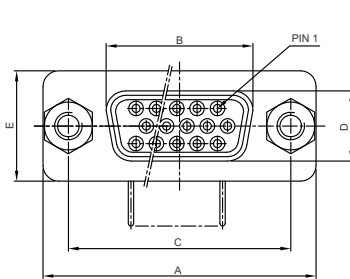
1. BRASS BUSH (SPACER) WILL BE SUPPLIED LOOSE WITH THIS CONNECTOR (NOT APPLICABLE FOR CONNECTOR WITH CLINCH NUT)



DIMENSION TABLE (PLUG CONNECTOR)

| CONN. NO. | SHELL SIZE | NO/OFF PINS | A ±0.38 | B ±0.13 | C ±0.13 | D ±0.38 | E ±0.38 | H ±0.25 | J ±0.25 | K | S ±0.25 | K ±0.20 |
|--------------|------------|-------------|---------|---------|---------|---------|---------|---------|---------|-----------|---------|---------|
| M2000/24-73F | 1 | 15 | 30.81 | 16.92 | 24.99 | 8.36 | 12.55 | 10.72 | 0.76 | 6.04/5.82 | 19.28 | 3.96 |
| M2000/24-74F | 2 | 26 | 39.14 | 25.25 | 33.33 | | | | | 27.51 | | |
| M2000/24-75F | 3 | 44 | 53.04 | 38.96 | 47.04 | | | 41.30 | | | | |
| M2000/24-76F | 4 | 62 | 69.32 | 55.42 | 63.50 | | | 57.71 | | | | |

For Straight PC Tail Type Connector (Receptacle)



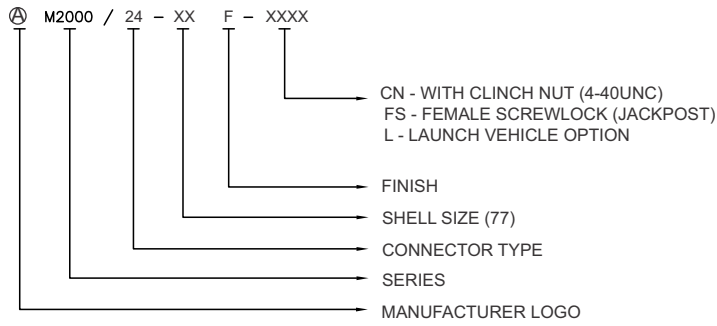
DIMENSION TABLE (RECEPTACLE CONNECTOR)

| CONN. NO. | SHELL SIZE | NO/OFF PINS | A ±0.38 | B ±0.13 | C ±0.13 | D ±0.38 | E ±0.38 | H ±0.25 | J ±0.25 | K | S ±0.25 | X ±0.20 |
|--------------|------------|-------------|---------|---------|---------|---------|---------|---------|---------|-----------|---------|---------|
| M2000/23-73F | 1 | 15 | 30.81 | 16.33 | 24.99 | 7.90 | 12.55 | 10.90 | 0.76 | 6.04/6.30 | 19.28 | 3.96 |
| M2000/23-74F | 2 | 26 | 39.14 | 24.66 | 33.33 | | | | | 27.51 | | |
| M2000/23-75F | 3 | 44 | 53.04 | 38.38 | 47.04 | | | 41.30 | | | | |
| M2000/23-76F | 4 | 62 | 69.32 | 54.84 | 63.50 | | | 57.71 | | | | |



Ordering Information Right Angle PC Tail Type Connector

ORDERING INFORMATION R/A PC TAIL CONNECTORS



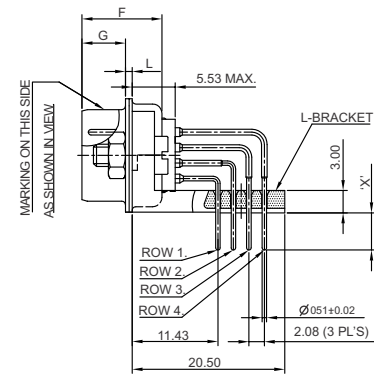
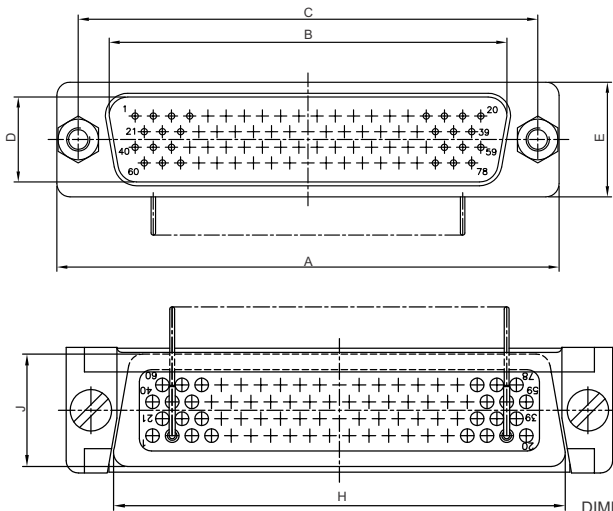
CONNECTOR TYPE:

- 23 - RECEPTACLE CONNECTOR (PC TAIL TYPE)
- 24 - PLUG CONNECTOR (PC TAIL TYPE)

FINISH

- F - CADMIUM YELLOW PASSIVATED
- Z - ZINC YELLOW PASSIVATED
- K - ZINC NICKEL FINISH
- T - NICKEL PTFE FINISH
- TI - TIN PLATED

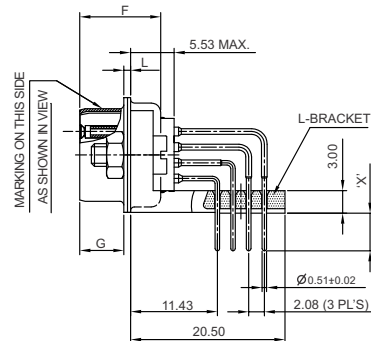
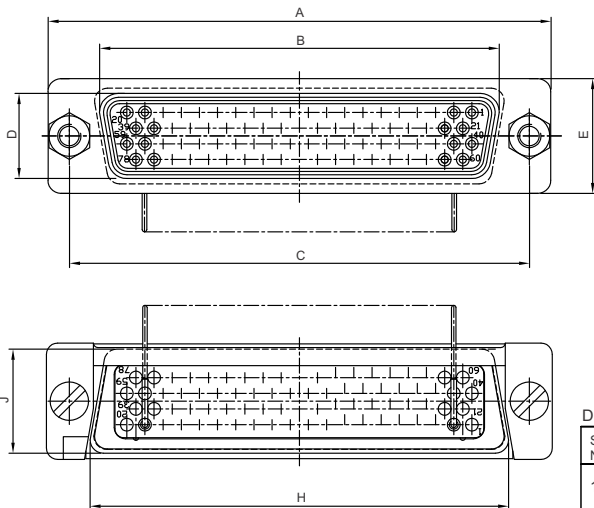
For Straight PC Tail Type Connector (Plug)



DIMENSION TABLE (PLUG CONNECTOR)

| SR NO. | PART NO. | NO. OF PINS | SHELL SIZE | A | B | C | D | E | F | G | H | J | L | X |
|--------|--------------|-------------|------------|------------------------|----------------|----------------|----------------|----------------|----------------|--------------|----------------|----------------|--------------|---------------|
| 1 | M2000/24-77F | 78 | 5 | MAX 67.31 MIN 66.55 | 52.55 52.30 | 61.24 60.99 | 10.87 10.62 | 15.75 14.99 | 11.15 10.64 | 6.30 6.05 | 55.58 55.07 | 13.82 13.31 | 1.24 0.74 | ±0.20 3.96 |

For Straight PC Tail Type Connector (Receptacle)

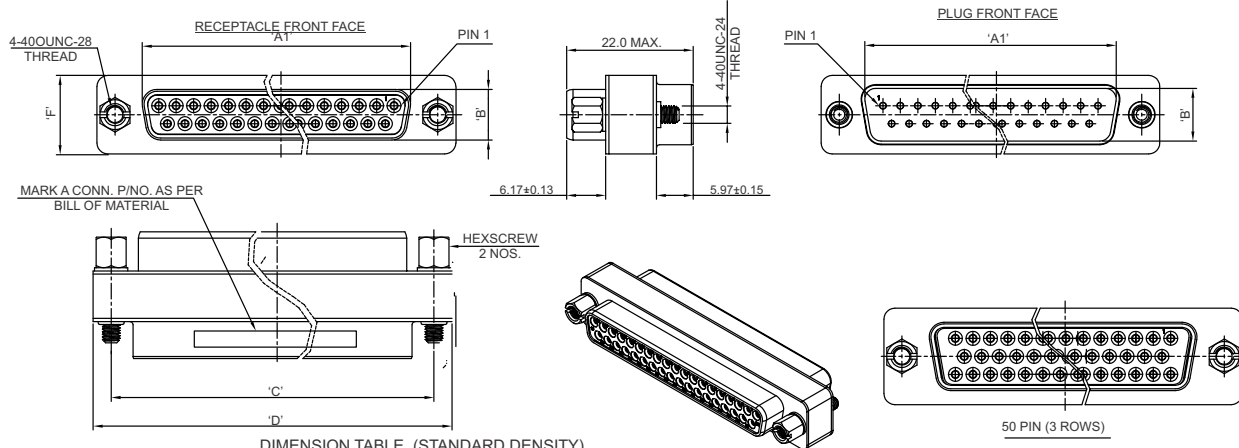
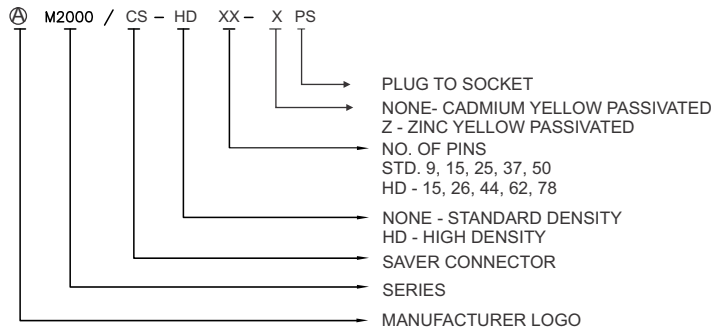


DIMENSION TABLE (RECEPTACLE CONNECTOR)

| SR NO. | PART NO. | NO. OF PINS | SHELL SIZE | A | B | C | D | E | F | G | H | J | L | X |
|--------|--------------|-------------|------------|------------------------|----------------|----------------|----------------|----------------|----------------|--------------|----------------|----------------|--------------|---------------|
| 1 | M2000/23-77F | 78 | 5 | MAX 67.31 MIN 66.55 | 52.55 52.30 | 61.24 60.99 | 10.87 10.62 | 15.75 14.99 | 11.15 10.64 | 6.30 6.05 | 55.58 55.07 | 13.82 13.31 | 1.24 0.74 | ±0.20 3.96 |

Ordering Information For Saver Type Connector

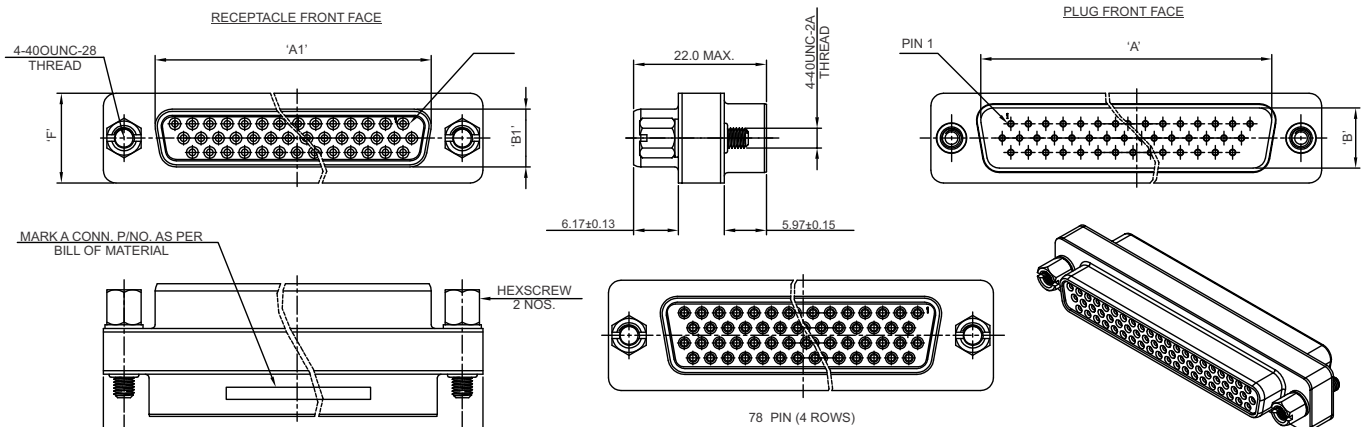
ORDERING INFORMATION FOR SAVER CONNECTORS



DIMENSION TABLE (STANDARD DENSITY)

| SR. NO. | CONNECTOR PART NO. | SHELL SIZE | NO. OF PINS | 'A' ±0.13 | 'B' ±0.13 | 'A1' ±0.13 | 'B1' ±0.13 | 'C' ±0.13 | 'D' ±0.38 | 'F' ±0.38 |
|---------|--------------------|------------|-------------|-----------|-----------|------------|------------|-----------|-----------|-----------|
| 1 | M2000/CS-9PS | 1 | 15 | 16.92 | 8.36 | 16.33 | | 24.99 | 30.81 | 12.55 |
| 2 | M2000/CS-15PS | 2 | 26 | 25.25 | | 24.66 | | 33.32 | 39.14 | |
| 3 | M2000/CS-25PS | 3 | 44 | 38.96 | | 38.38 | | 47.04 | 53.04 | |
| 4 | M2000/CS-37PS | 4 | 62 | 55.42 | | 54.84 | | 63.50 | 69.32 | |
| 5 | M2000/CS-37PS | 5 | 78 | 52.81 | | 11,20 | | 52.43 | 61.11 | |

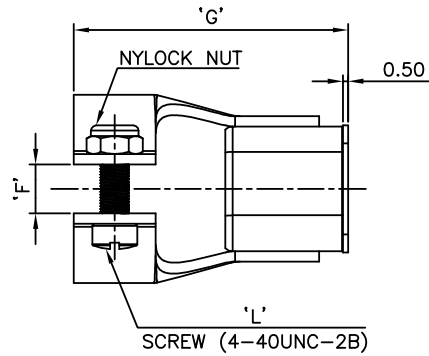
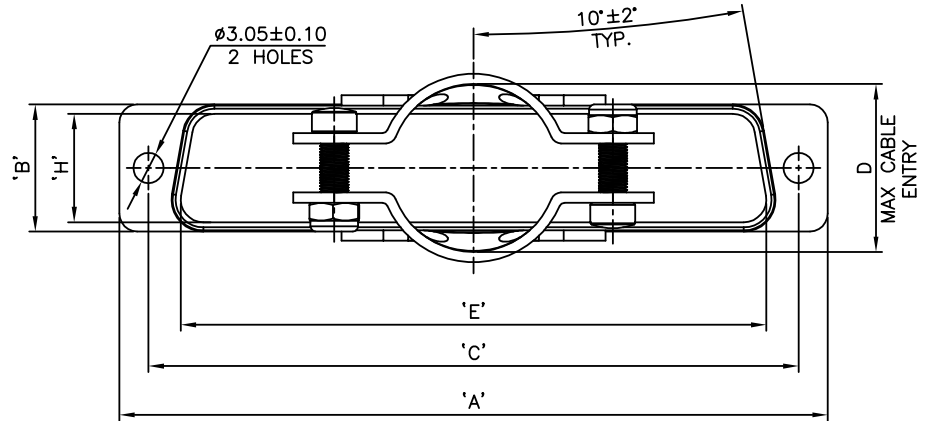
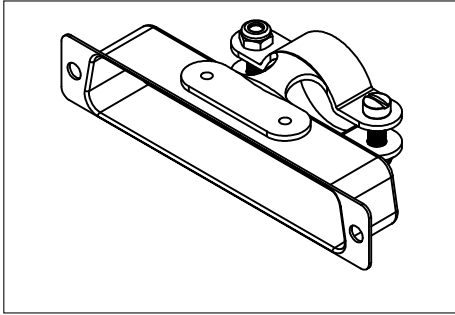
HD Saver Connector



DIMENSION TABLE (HIGH DENSITY)

| SR. NO. | CONNECTOR PART NO. | SHELL SIZE | NO. OF PINS | 'A' ±0.13 | 'B' ±0.13 | 'A1' ±0.13 | 'B1' ±0.13 | 'C' ±0.13 | 'D' ±0.38 | 'F' ±0.38 | |
|---------|--------------------|------------|-------------|-----------|-----------|------------|------------|-----------|-----------|-----------|-------|
| 1 | M2000/CSHD-15PS | 1 | 15 | 16.92 | 8.36 | 16.33 | | 24.99 | 30.81 | 12.55 | |
| 2 | M2000/CSHD-26PS | 2 | 26 | 25.25 | | 24.66 | | 7.90 | 33.32 | | 39.14 |
| 3 | M2000/CSHD-44PS | 3 | 44 | 38.96 | | 38.38 | | | 47.04 | | 53.04 |
| 4 | M2000/CSHD-62PS | 4 | 62 | 55.42 | | 54.84 | | | 63.50 | | 69.32 |
| 5 | M2000/CSHD-78PS | 5 | 78 | 52.81 | | 11,20 | | 52.43 | 10.74 | | 61.11 |

D-SUB STRAIN RELIEF BACKSHELL (09 TO 50 PIN)

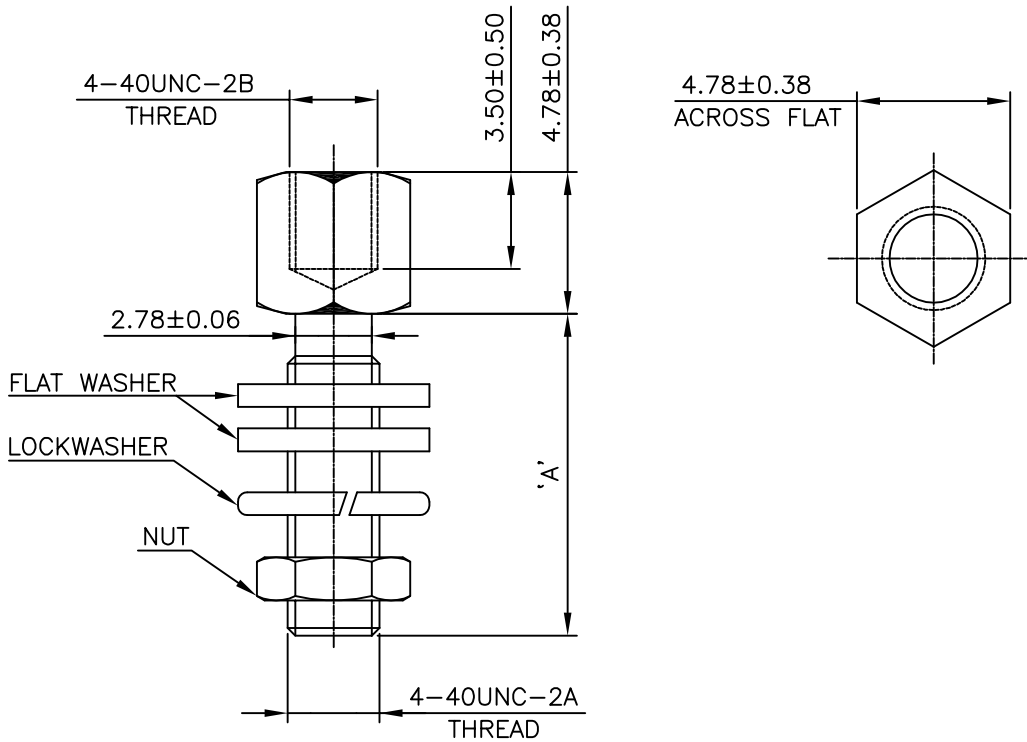


DIMENSIONS TABLE :-

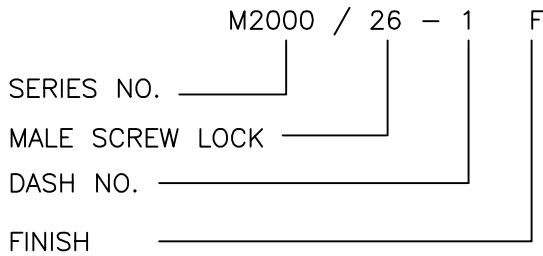
| SR. NO. | PART NO. FOR CADMIUM YELLOW PASSIVATION | PART NO. FOR ELE. NICKEL FINISH | STD. | HIGH | SHELL SIZE | 'A' | 'B' | 'C' | 'D' | 'E' | 'F' | 'G' | 'H' | 'L' ±0.78 |
|---------|---|---------------------------------|---------|--------------|------------|-------|-------|-------|-------|-------|------|-------|-------|-----------|
| | | | DENSITY | NO. OF PIN'S | | | | | | | | | | |
| 1 | M85049/48-2-1F | M85049/48-2-1N | 09 | 15 | 1 | 31.06 | 13.08 | 25.12 | 10.31 | 17.17 | 3.56 | 26.95 | 9.12 | 9.53 |
| | | | | | | 30.30 | 12.32 | 24.87 | | 16.41 | 2.79 | 25.43 | 8.36 | |
| 2 | M85049/48-2-2F | M85049/48-2-2N | 15 | 26 | 2 | 39.26 | 13.08 | 33.45 | 10.31 | 25.37 | 3.56 | 26.95 | 9.12 | 9.53 |
| | | | | | | 38.51 | 12.32 | 33.20 | | 24.61 | 2.79 | 25.43 | 8.36 | |
| 3 | M85049/48-2-3F | M85049/48-2-3N | 25 | 44 | 3 | 53.16 | 13.08 | 47.17 | 15.06 | 38.86 | 5.13 | 27.74 | 9.12 | 9.53 |
| | | | | | | 52.40 | 12.32 | 46.91 | | 38.10 | 4.37 | 26.21 | 8.36 | |
| 4 | M85049/48-2-4F | M85049/48-2-4N | 37 | 62 | 4 | 69.42 | 13.08 | 63.63 | 18.24 | 55.52 | 6.73 | 27.74 | 9.12 | 12.70 |
| | | | | | | 68.66 | 12.32 | 63.37 | | 54.76 | 5.97 | 26.21 | 8.36 | |
| 5 | M85049/48-2-5F | M85049/48-2-5N | 50 | 78 | 5 | 67.06 | 15.85 | 61.24 | 20.62 | 53.54 | 8.31 | 27.74 | 11.51 | 15.88 |
| | | | | | | 66.29 | 15.09 | 60.99 | | 52.78 | 7.54 | 26.21 | 10.74 | |

TECHNICAL DATA :-

1. MATERIALS :
 - a) SHELL & CLAMP : MILD STEEL
 - b) HARDWARE : STAINLESS STEEL
2. FINISH :
 - a) SHELL & CLAMP : F - CADMIUM YELLOW PASSIVATION
N - ELECTROLESS NICKEL FINISH
 - b) HARDWARE : F - CADMIUM YELLOW PASSIVATION
N - SS PASSIVATION
3. SALTSPRAY TEST : 48 HOURS
4. RECOMMENDED TORQUE : 0.35-0.45 N-m (3.50-4.50 INCH POUND)



ORDERING INFORMATION :-



DIMENSION TABLE :

| SR. NO. | MIL PART NO. | 'A' ±0.38 |
|---------|--------------|-----------|
| 1 | M2000/26-1F | 7.92 |
| 2 | M2000/26-2F | 15.88 |

FINISH :-

- F – CADMIUM YELLOW PASSIVATION
- Z – ZINC YELLOW PASSIVATION
- TI – TIN PLATING
- NO SUFFIX – NICKEL PLATING

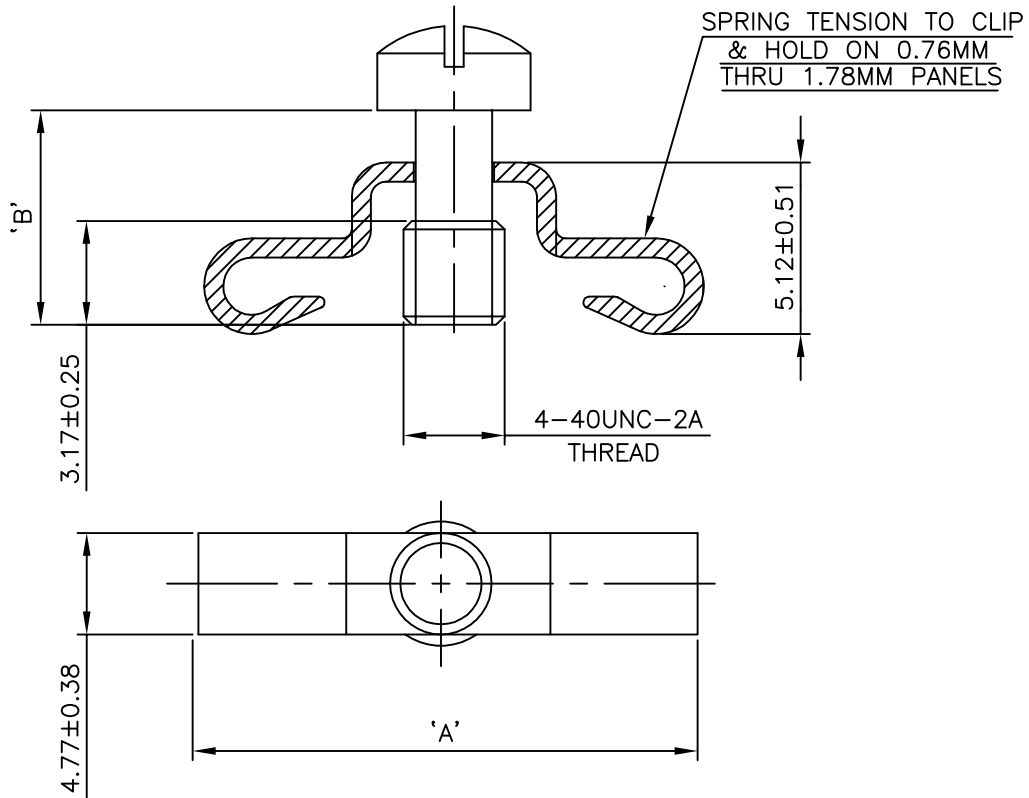
NOTES :

1. ALL DIMENSIONS IN MM.
2. WHEN A CONNECTOR USING THE ALTERNATE METHOD OF SECURING THE SHELL IS FRONT MOUNTED, ONE FLAT WASHER SHALL BE USED AS A SPACER BETWEEN THE MOUNTED SURFACE AND THE CONNECTOR.

TECHNICAL DATA :

- | | |
|--------------------------------------|---|
| 1. CORROSIVE ATMOSPHERE (SALT SPRAY) | : 48 HOURS, 5% SALT SOLUTION AT 35°±2°C AND 95% TO 98% RELATIVE HUMIDITY. |
| 2. MATERIAL & FINISH | : COLD ROLLED STEEL WITH CADMIUM YELLOW PASSIVATION. |

MALE SCREW LOCK ASSEMBLY (09 TO 50 PIN)



ORDERING INFORMATION :-

M2000 / 25 - 10 F
 SERIES NO. _____
 MALE SCREW LOCK _____
 DASH NO. _____
 9 - 1 TO 4 SHELL SIZE
 10 - 5 SHELL SIZE
 FINISH _____

DIMENSION TABLE :

| SER. NO. | MIL PART NO. | SHELL SIZE | 'A' ± 0.38 | 'B' ± 0.25 |
|----------|--------------|------------|----------------|----------------|
| 1 | M2000/25-9F | 1 TO 4 | 14.10 | 7.14 |
| 2 | M2000/25-10F | 5 | 16.66 | 7.14 |

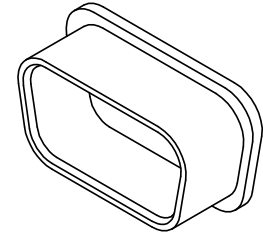
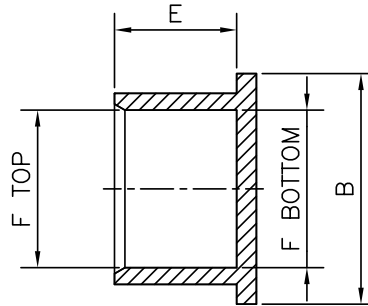
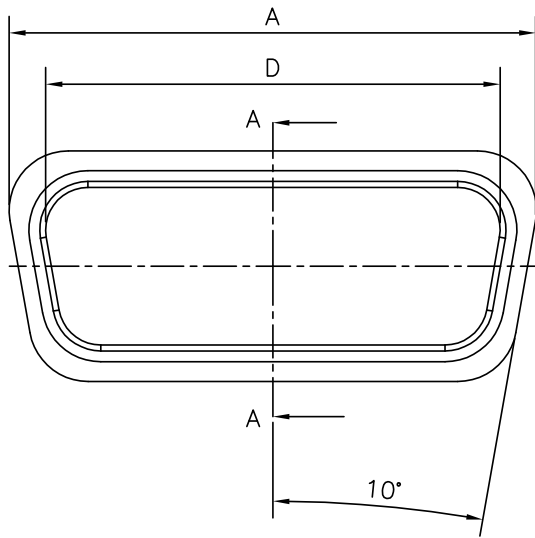
FINISH :-

F - CADMIUM YELLOW PASSIVATION
 Z - ZINC YELLOW PASSIVATION
 TI - TIN PLATING
 NO SUFFIX - NICKEL PLATING

NOTES :

1. ALL DIMENSIONS IN MM.
2. SCREW SHALL BE CAPTIVE IN THE CLIP AFTER ASSEMBLY BY THE END USER AND CORROSION RESISTANT STEEL SCREW SHALL BE USED WITH CORROSION RESISTANT STEEL CLIP & COLD ROLLED SCREWS SHALL BE USED WITH SHEET STEEL CLIP.

PLASTIC DUSTCAP FOR RECEPTACLE CONNECTOR : -



SECTION A-A

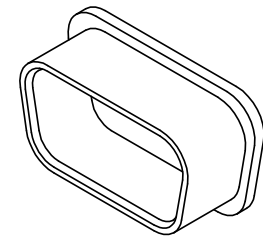
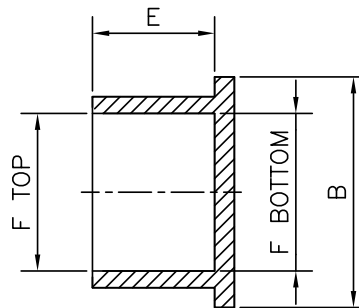
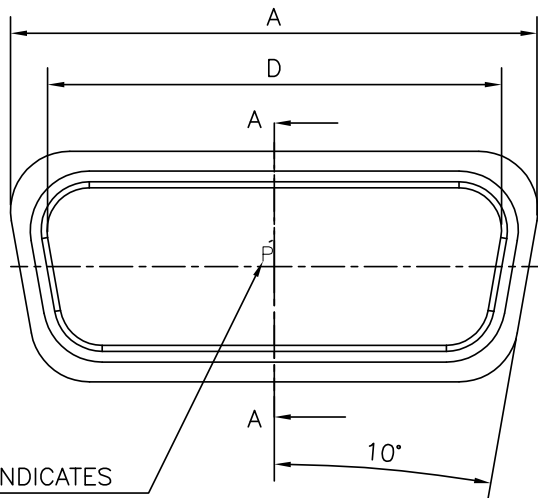
DIMENSION TABLE (RECEPTACLE) :-

| SHELL SIZE | NO.OF PIN | | PART NO. | 'A' | 'B' | 'D' | 'E' | 'F' |
|------------|-----------|-----|--------------|-------|-------|-------|-------|-------|
| | STD | HDD | | ±0.30 | ±0.30 | ±0.20 | ±0.20 | ±0.20 |
| 1 | 09 | 15 | M2000-109125 | 18.50 | 11.80 | 16.20 | 5.00 | 7.65 |
| 2 | 15 | 26 | M2000-109126 | 27.00 | 11.80 | 24.60 | 5.00 | 7.65 |
| 3 | 25 | 44 | M2000-109127 | 40.90 | 11.80 | 38.30 | 5.00 | 7.65 |
| 4 | 37 | 62 | M2000-109128 | 57.30 | 11.80 | 54.70 | 5.00 | 7.65 |
| 5 | 50 | 78 | M2000-109129 | 55.20 | 14.50 | 52.40 | 5.00 | 10.50 |

MATERIAL : UL APPROVED POLYPROPYLENE (RED COLOR)

PLASTIC DUST CAP RECEPTACLE

PLASTIC DUSTCAP FOR PLUG CONNECTOR : -



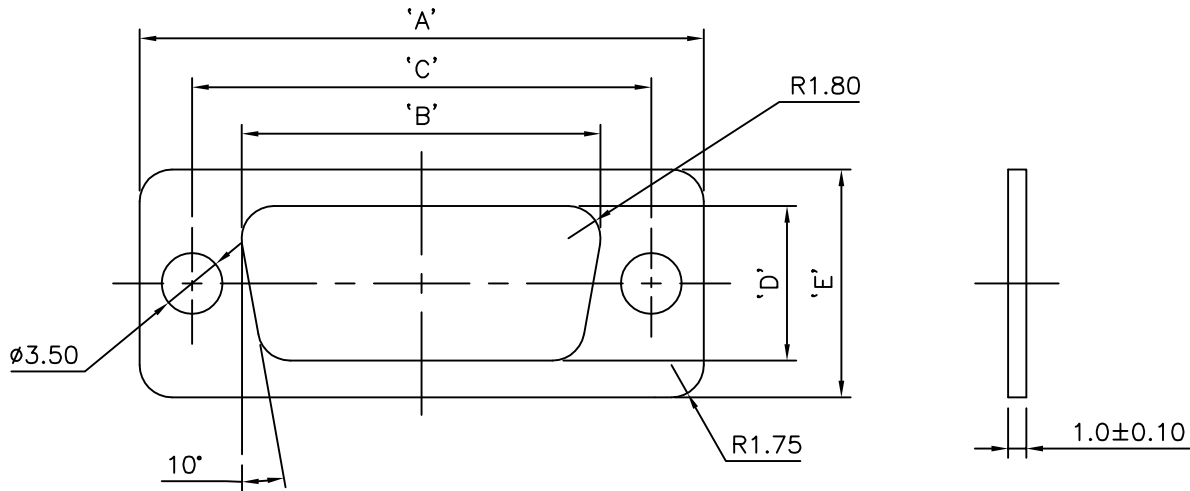
SECTION A-A

DIMENSION TABLE (PLUG) :-

| SHELL SIZE | NO.OF PIN | | PART NO. | 'A' | 'B' | 'D' | 'E' | 'F' |
|------------|-----------|-----|--------------|-------|-------|-------|-------|-------|
| | STD | HDD | | ±0.30 | ±0.30 | ±0.20 | ±0.20 | ±0.20 |
| 1 | 09 | 15 | M2000-109118 | 20.30 | 13.0 | 17.70 | 4.50 | 8.98 |
| 2 | 15 | 26 | M2000-109119 | 28.10 | 13.0 | 26.00 | 4.50 | 8.98 |
| 3 | 25 | 44 | M2000-109120 | 42.00 | 13.0 | 40.00 | 4.50 | 8.98 |
| 4 | 37 | 62 | M2000-109121 | 59.00 | 13.0 | 56.70 | 4.50 | 8.98 |
| 5 | 50 | 78 | M2000-109122 | 56.0 | 15.90 | 54.00 | 4.50 | 12.10 |

MATERIAL : UL APPROVED POLYPROPYLENE (BLACK COLOR)

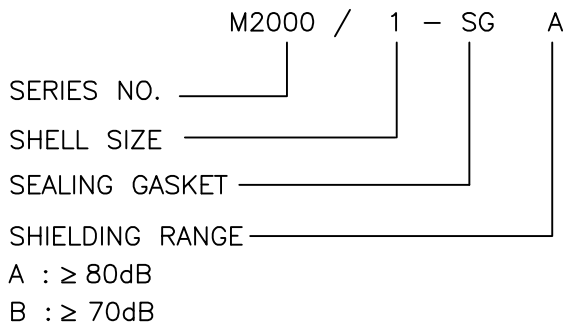
THESE GASKETS ARE SUITABLE FOR MIL-DTL-24308 CONNECTORS



DIMENSION TABLE:-

| SR NO. | PART NO. | SHELL SIZE | NO. OF PINS | | 'A' ±0.13 | 'B' ±0.13 | 'C' ±0.13 | 'D' ±0.13 | 'E' ±0.13 |
|--------|------------|------------|-------------|-----|--------------|--------------|--------------|--------------|--------------|
| | | | STD | HDD | | | | | |
| 1 | M2000/1-SG | 1 | 09 | 15 | 30.70 | 19.00 | 24.99 | 10.0 | 12.40 |
| 2 | M2000/2-SG | 2 | 15 | 26 | 39.00 | 27.00 | 33.32 | | |
| 3 | M2000/3-SG | 3 | 25 | 44 | 52.90 | 41.00 | 47.04 | | |
| 4 | M2000/4-SG | 4 | 37 | 62 | 69.20 | 57.00 | 63.50 | | |
| 5 | M2000/5-SG | 5 | 50 | 78 | 66.80 | 55.00 | 61.11 | 13.00 | 15.25 |

ORDERING INFORMATION :-



TECHNICAL DATA :-

MATERIAL : FLUOROSILICONE
 TEMPERATURE : -55°C TO 160°C
 HARDNESS :
 FOR A TYPE : 65±10
 FOR B TYPE : 75±7

NOTE : FOR AVAILABILITY OF THIS PRODUCT PLEASE CONTACT FACTORY

NORTH AMERICA

Sales & Product Support

Amphenol PCD
72 Cherry Hill Drive
Beverly, MA 01915 USA
Tel: +1-978-624-3400
Fax: +1-978-927-1513
info@amphenolpcd.com
www.amphenolpcd.com
www.backshellworld.com

Amphenol Aerospace Operations
40-60, Delaware Avenue
Sidney, NY 13838-1395
Tel: +1-607-563-5011
Fax: +1-607-563-5357

Amphenol Canada
Meford Drive
Scarborough,
ON M1B 2X6
Tel: +416-291-4401
Fax: +416-292-0647

Amphenol Fiber Systems International
1300 Central Expressway North
Suite 100 Allen, Texas 75013, USA
Tel: +1-214-547-2400
Fax: +1-214-547-9344

EUROPE

France

Amphenol Socapex S.A.S.
948, Promenade de l'Arve
Bp29, Thyez Cedex
74311, France
Tel: +33-4-5089-2800
Fax: +33-4-5096-1941

United Kingdom

Amphenol Limited
Thanet Way, Whitstable
Kent CT5 3JF, England
Tel: +44-1227-773-200
Fax: 44-1227-276-571

Germany

Amphenol-Air LB GmbH
Am Kleinbahnhof 4
Saarlouis
D-66740, Germany
Tel: 49-6831-9810-00
Fax: 49-6831-9810-30

Italy

Amphenol Military &
Aerospace Operations-
European Sales Operations
Via Barbaiana 5
20020 Lainate
Milano,
Italy+39 02 932 541

Center & East Europe

Amphenol Austria
Wiener Gasse 68
2380 Perchtoldsdorf
Tel: +43-699-10396071
Fax: +43 699 40396071

Amphenol Air-LB
Immeuble Le Doublon
11, Avenue Dobonnet
Courbevoie-Cedex
92407, France
Ph: +33-1-4905-3000
Fax: +33-1-4905-3043

Spain

Amphenol Iberica
Edificio Burgosol Oficina
N 55 C/Comunidad de
Madrid 35 bis -
Las Rozas (Madrid)
Tel: +34-91-6407302
+34-91-6407306
Fax: +34-91-6407307

Holland

Amphenol Benelux
Zadelmaker 121
NL-2401 PD Alphen
aan den Rijn Holland
Tel: +31-172-444903
Fax: +31-172 240254

Sweden

Amphenol
Industrial and Military &
Aerospace
Nordic & Baltic
Military Phone/
Mobile+46702129200
Industrial +46 767909560

ASIA

India

Amphenol Interconnect India Pvt. Ltd.
105 Bhosari Industrial Area
Pune-411026, India
Tel: +9120-6736-0373
Fax: +9120-2712-9158

Japan

Amphenol Japan
471-1, Deba, Ritto City
Shiga 520-3041, Japan
Tel: +81-77-553-8501
Fax: +81-77-551-2200

Singapore

Amphenol East Asia Ltd.
72 Bendemeer Road
03-33 Luzerne
Singapore 339 941
Tel: 65-6294-2128
Fax: 65-6294-3522

China

Amphenol PCD Shenzhen
3/F Building, A4 Songbai
Industrial Park
East Road of Minghuan
Gongming Town, Baon District
Shenzhen, China
Tel: +86-755-8173-8000
Fax: +86-755-8173-8180

Amphenol Interconnect India Pvt. Ltd.
61 Electronics City
Bangalore-560 100, India
Ph: +9180-2852-3838
Fax: +9180-2852-0418

Korea

Amphenol Daeshin Electronics
558 SoSa, SongNae, Bucheon-City
Kyunggi-Do, Korea 420-130
Tel: +82-32-610-3800
Fax: +92-32-673-2507

ROW

Australia

Amphenol Australia Pty Ltd
2 Fiveways Boulevard
Keysborough
VIC 3173
Ph: +61-3-8796-8888
Fax: +61-3-8796-8801

Africa

Amphenol South Africa
30 Impala Road
2196 Sandton-Chistlehurst
South Africa
Tel: +27-11-783-9517
Fax: +27-11-783-9519

Russia

Amphenol Russia
8-2 Yaroslavskaja Str
129164 Moscow, Russia
Tel: +7-495-937-6341
Fax: +7-495-937-6319

Argentina

Amphenol Argentina
Avenida Callao 930
2nd Floor, Office B Plaza
C1023AAP Buenos Aires
Argentina
Tel: 54-11-4815-6886
Fax: 54-11-4814-5779

Israel

Amphenol Bar-Tec Ltd.
www.bar-tec.com
3 Hagavish st
POB 2479 Kfar-Saba 44641
Israel+972-9-7644100

Turkey

Amphenol Turkey & Middle East
Sun Plaza Kat:19
Maslak Mah. Bilim Sok.No:5
34398 Sisli - Istanbul
Tel: +90-212-335-2501
Fax: +90-212-335-2500

Brazil

Amphenol do Brasil Ltda
Rua Diogo Moreira 132
CEP 05423-010
Sao Paulo-SP, Brazil
Tel: +55-11-3815-1003

Amphenol

A Global Company

