

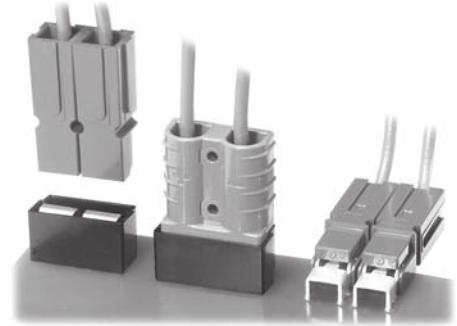
The innovative design of our Powerclaw® family of connectors for the power electronics market makes connecting and disconnecting a snap, enabling safe and convenient "hot swapping"™ during equipment maintenance without the need to power down. Compact and robust, they're rated at 55 amps for single pole and 50 amps for multipole connections.

Our mini horizontal and vertical Powerclaw contacts offer the same high current capacity as our original Powerclaws while providing the design engineer more options when board real estate is at a minimum.

\* Contact factory for ratings

### FEATURES

- Quick disconnect**  
*Avoids the need for unfastening ring type terminals*
- Snap-On interface**  
*Ensures foolproof assembly and proper connection*
- Vertical mini-powerclaw UL rated**  
*For current interruption (hot-plug) so that equipment can be hot swapped*



### PRODUCT SPECIFICATIONS

Product Information	PP Powerclaw	SB® Powerclaw Powerclaw	Locking Mini-Powerclaw	Vertical & Horizontal
Maximum Current* (per Tin Contact)	55 amps	50 amps	55 amps	55 amps
Maximum Voltage (AC or DC)	600 volts	600 volts	600 volts	600 volts
Housing Material	Polycarbonate	Polycarbonate	Polycarbonate	Polycarbonate for vertical guide housings
Contact Material	Copper Alloy	Copper Alloy	Copper Alloy	Copper Alloy
Contact Plating: Tin	100 microinches Sn over 50 microinches Ni	100 microinches Sn over 50 microinches Ni	100 microinches Sn over 50 microinches Ni	100 microinches Sn over 50 microinches Ni
Contact Plating: Silver	100 microinches Ag over 50 microinches Ni	100 microinches Ag over 50 microinches Ni	100 microinches Ag over 50 microinches Ni	100 microinches Ag over 50 microinches Ni
Mating/Unmating Forces	7 lbf. Average (31 Newtons)	15 lbf. Average (66 Newtons)	7 lbf. Average (31 Newtons)	4 lbf. per contact (17 Newtons)
Suggested Board Thickness	.150" max.	.150" max.	.150" max.	.250" max.

\* See Temperature Rise Chart

**HEADQUARTERS:** Anderson Power Products®, 13 Pratts Junction Road, Sterling, MA 01564-2305 USA T:978-422-3600 F:978-422-3700

**EUROPE:** Anderson Power Products® Ltd., Unit 3, Europa Court, Europa Boulevard, Westbrook, Warrington, Cheshire, WA5 7TN United Kingdom T: +44 (0) 1925 428390 F: +44 (0) 1925 428399

**ASIA / PACIFIC:** IDEAL Anderson Asia Pacific Ltd., Unit 922-928 Topsail Plaza, 11 On Sum Street, Shatin N.T., Hong Kong T: +(852) 2636 0836 F: +(852) 2635 9036

**CHINA:** IDEAL Anderson Technologies (Shenzhen) Ltd., Block A8 Tantou Western Industrial Park, Songgang Baoan District, Shenzhen, P.R. China 518105 T: +(86) 755 2768 2118 F: +(86) 755 2768 2218

**TAIWAN:** IDEAL Anderson Asia Pacific Ltd., Taiwan Branch, 4F-2, No.116, Dadun 20th St., Situn District, Taichung City 407, Taiwan (R.O.C.) T: +(886) 4 2310 6451 F: +(886) 4 2310 6460

[www.andersonpower.com](http://www.andersonpower.com)

## ORDERING INFORMATION

### Standard Powerclaw

Position	PC	XXX	X	XX
Definition	(Powerclaw)	(Color)	(Plating)	(Housing)
		BLK–Black	T–Tin	PP–Powerpole 75
		RED–Red	S–Silver	LP–Locking Powerpole 75
		BLU–Blue		SB–SB50
		WHT–White		
		GRA–Gray		
		GRN–Green		

Example: Blue 75 locking Powerclaw with tin plating (PC-BLU-T-LP)

Note: For additional colors please contact customer service

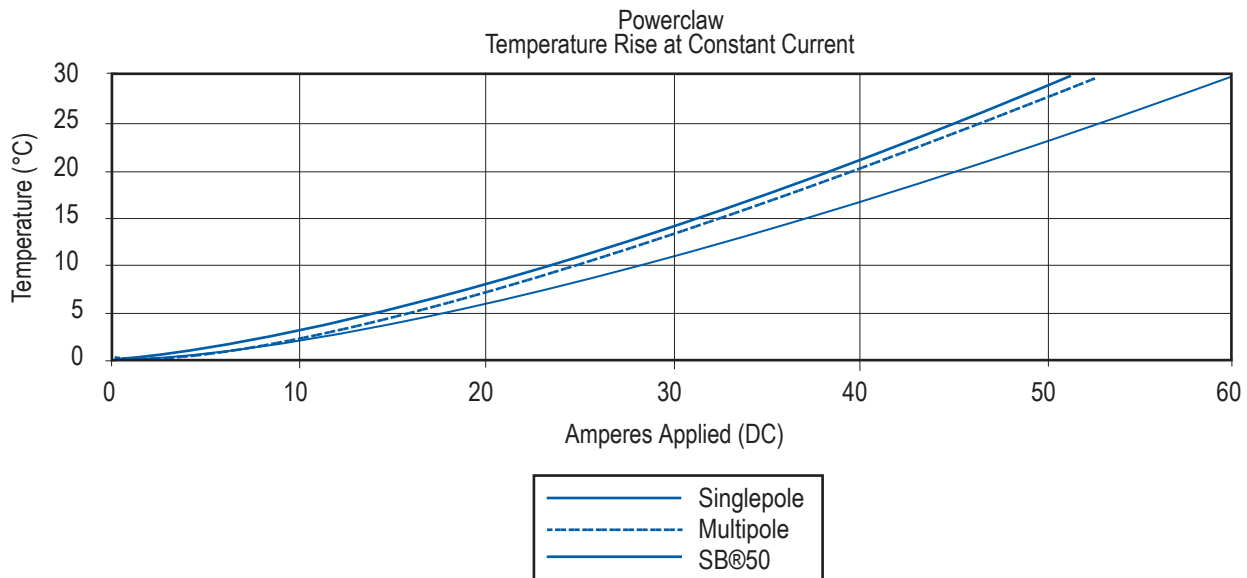
### Individual Contacts and Guide Housings\*

Part No.	Description
PC5930S	Std PC horizontal mount contact – Silver (Ag)
PC5930T	Std PC horizontal mount contact – Tin (Sn)
PC5933T	Mini-PC vertical contact – Tin (Sn)
PC5933S	Mini-PC vertical contact – Silver (Ag)
PC5934T	Mini-PC horizontal contact – Tin (Sn)
PC5934S	Mini-PC horizontal contact – Silver (Ag)
PC-HSG-SB	Guide housing for SB50 (Black)
PC-HSG-PP	Guide housing for PP75 (Black)

## TEMPERATURE RISE CHART

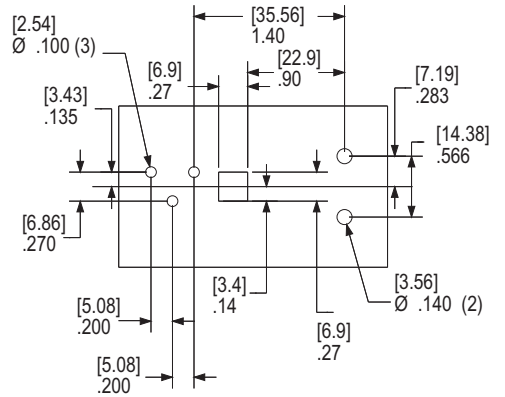
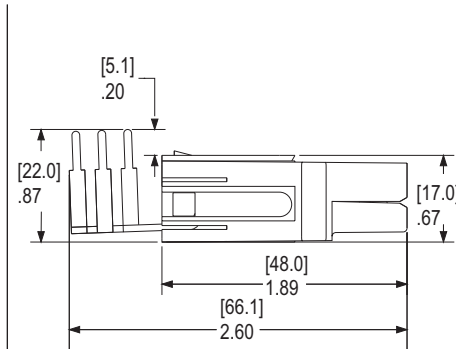
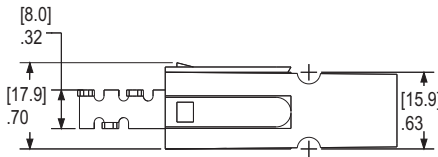
### Temperature Rise at Constant Currents

Powerclaw® Tested in Accordance with EIA 364-70, No enclosure, 25+/-5 deg. C. ambient (#8 AWG Foil on Board Side, #6 AWG conductor on wire side, Contact Cat. No. 5900).  
Temperature Rise of Contact at exit from Housing Interface (No Air Flow over Test Loop).

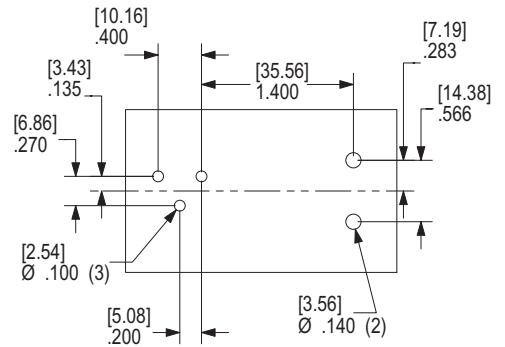
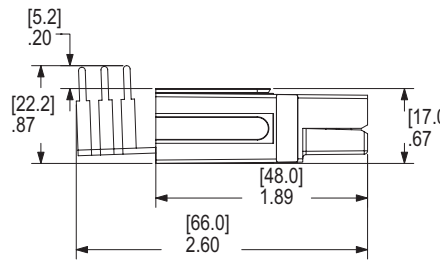
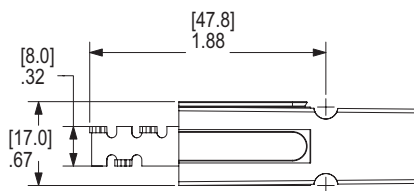


## STANDARD POWERCLAW DIMENSIONS

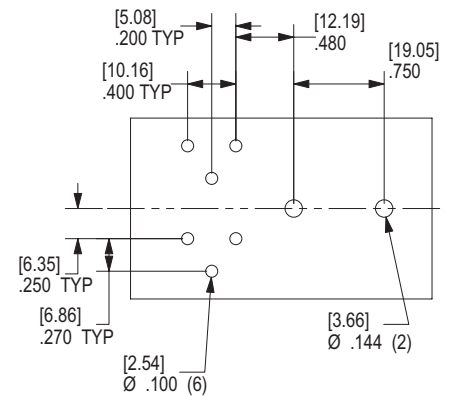
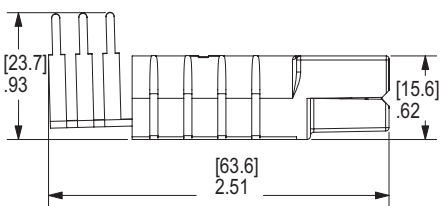
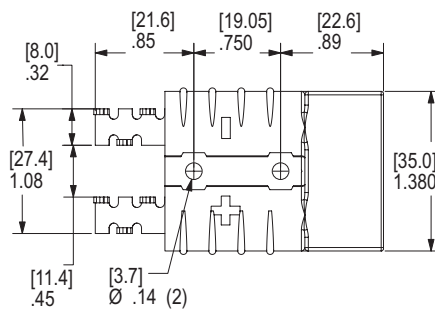
### Standard Powerclaw with locking PP75



### Standard Powerclaw with PP75

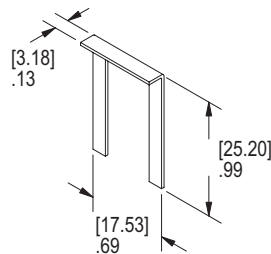


### Standard Powerclaw with SB®50



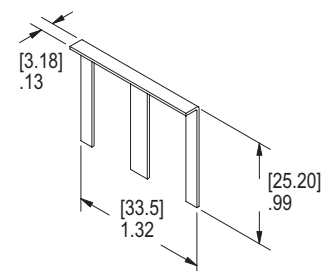
### Staple for single powerpole

Part Number: PCSTAPLE-1



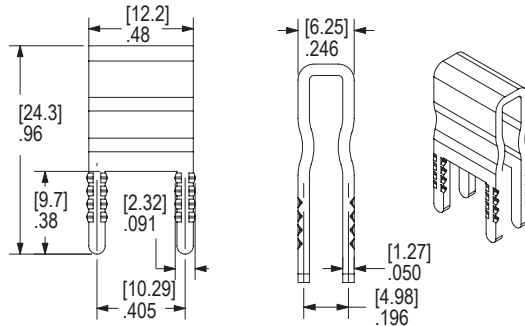
### Staple for double powerpole

Part Number: PCSTAPLE-2

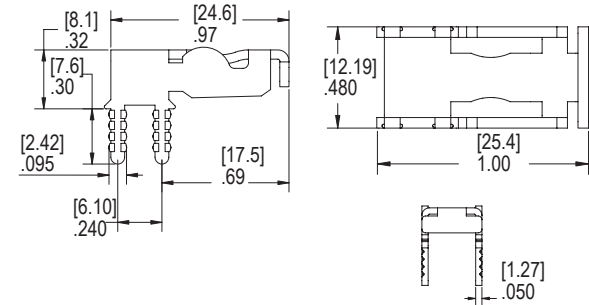


## MINI-POWERCLAW DIMENSIONS

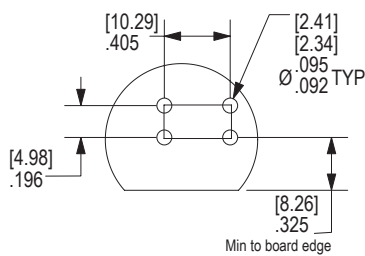
### Vertical Powerclaw



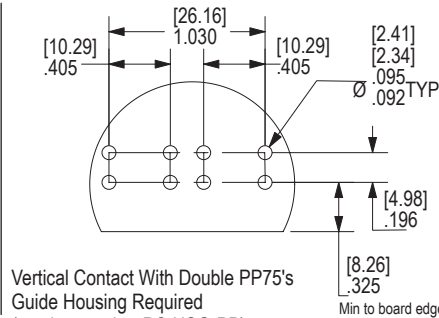
### Horizontal Powerclaw



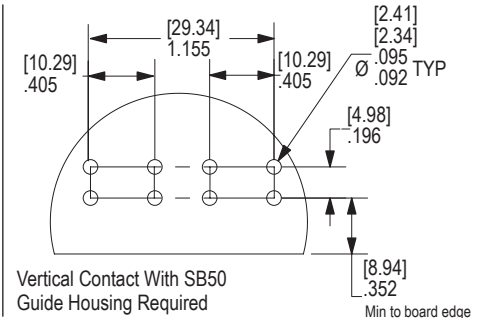
### Vertical PCB Placement - Hole Configuration (with or without housing)



Vertical Contact With Single PP75  
Guide Housing NOT Required

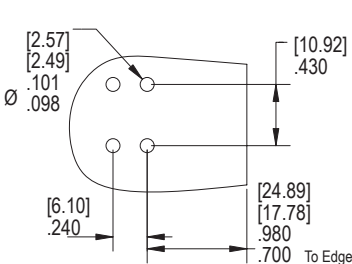


Vertical Contact With Double PP75's  
Guide Housing Required  
(catalog number PC-HSG-PP)

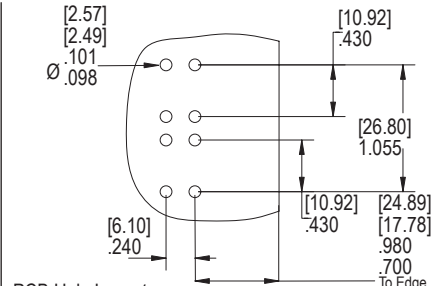


Vertical Contact With SB50  
Guide Housing Required  
(catalog number PC-HSG-SB)

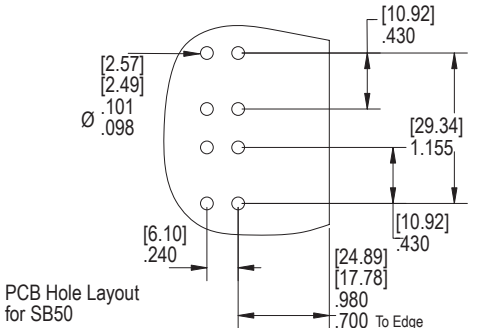
### Horizontal PCB Placement - Hole Configuration



PCB Hole Layout  
for Singlepole Powerpole

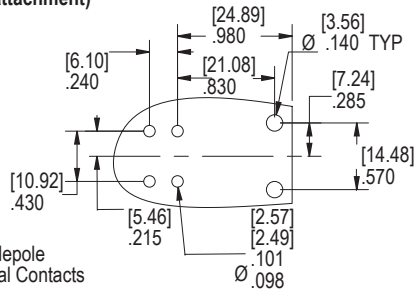


PCB Hole Layout  
for Double Powerpole

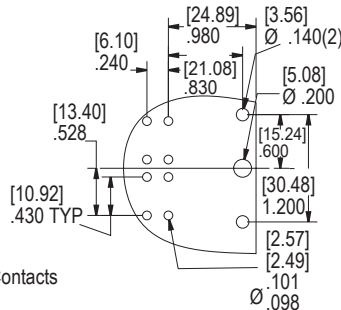


PCB Hole Layout  
for SB50

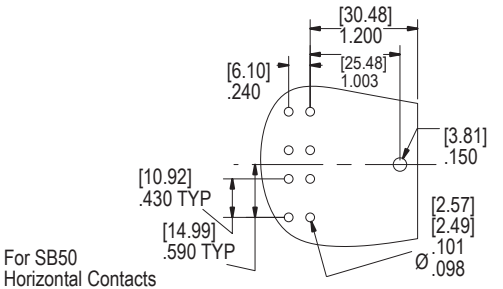
### Mated Horizontal Contacts (board attachment)



For Singlepole  
Horizontal Contacts



For Double  
Horizontal Contacts



For SB50  
Horizontal Contacts