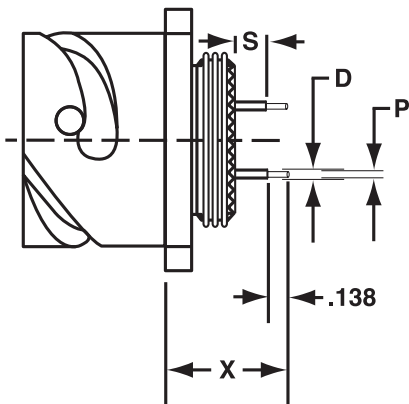


PRINTED CIRCUIT CONTACTS



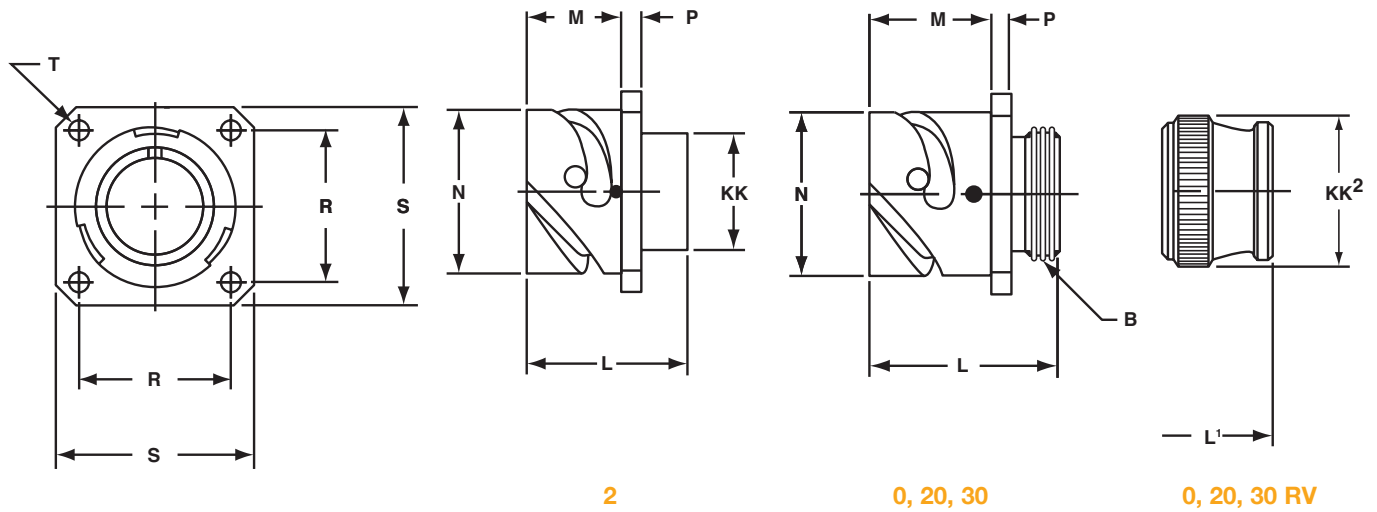
SHELL SIZE	H SERIES	
	S	X
10SL	.188 (4.78)	.567 (14.40)
14S	.188 (4.78)	.567 (14.40)
16S	.188 (4.78)	.567 (14.40)
16	.188 (4.78)	.622 (15.80)
18	.188 (4.78)	.622 (15.80)
20	.188 (4.78)	.622 (15.80)
22	.188 (4.78)	.622 (15.80)
24	.188 (4.78)	.622 (15.80)
28	.188 (4.78)	.657 (16.69)
32	.188 (4.78)	.720 (18.29)
36	.188 (4.78)	.720 (18.29)
40	.188 (4.78)	.720 (18.29)

CONTACT SIZE	D	P
12	.134 (3.4)	.070 (1.78)
16	.063 (1.6)	.030 (0.76)

All dimensions in inches (millimeters in parenthesis)

DIMENSIONS

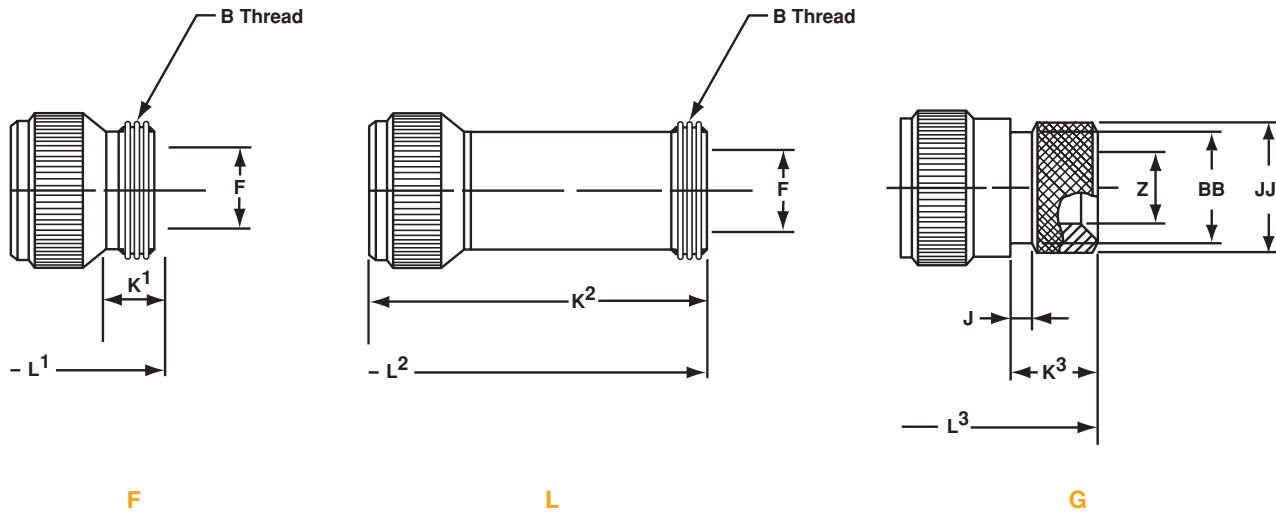
STYLE 0, 2, 20, 30 RECEPTACLES



SHELL SIZE	M +.016-.000 (+0.4-0.0)	N +.000-.006 (+0.00-0.15)	P ± .008 (±0.2)	R ± .004 (±0.1)	S ± .012 (±0.3)	T +.004-.000 (+0.1-0.0)	KK MAX.	B THREAD CLASS 2A	L + .012 (+ 0.3)	L ¹ MAX.	KK ² MAX.
10SL	.717 (18.2)	.717 (18.2)	.110 (2.8)	.717 (18.2)	1.000 (25.4)	.126 (3.2)	.626 (15.9)	.6250-24 UNEF	1.087 (27.6)	1.890 (48.0)	.787 (20.0)
14S	.717 (18.2)	.969 (24.6)	.126 (3.2)	.906 (23.0)	1.181 (30.0)	.126 (3.2)	.756 (19.2)	.7500-20 UNEF	1.087 (27.6)	1.890 (48.0)	.945 (24.0)
16S	.717 (18.2)	1.079 (27.4)	.126 (3.2)	.969 (24.6)	1.280 (32.5)	.126 (3.2)	.882 (22.4)	.8750-20 UNEF	1.087 (27.6)	1.890 (48.0)	1.024 (26.0)
16	.846 (21.5)	1.079 (27.4)	.126 (3.2)	.969 (24.6)	1.280 (32.5)	.126 (3.2)	.882 (22.4)	.8750-20 UNEF	1.331 (33.8)	2.205 (56.0)	1.024 (26.0)
18	.907 (23.1)	1.213 (30.8)	.157 (4.0)	1.063 (27.0)	1.378 (35.0)	.126 (3.2)	1.008 (25.6)	1.0000-20 UNEF	1.331 (33.8)	2.244 (57.0)	1.161 (29.5)
20	.907 (23.1)	1.346 (34.2)	.157 (4.0)	1.157 (29.4)	1.496 (38.0)	.126 (3.2)	1.142 (29.0)	1.1250-18 UNEF	1.331 (33.8)	2.244 (57.0)	1.299 (33.0)
22	.907 (23.1)	1.472 (37.4)	.157 (4.0)	1.252 (31.8)	1.614 (41.0)	.126 (3.2)	1.268 (32.2)	1.2500-18 UNEF	1.331 (33.8)	2.244 (57.0)	1.417 (36.0)
24	.907 (23.1)	1.610 (40.9)	.157 (4.0)	1.374 (34.9)	1.752 (44.5)	.146 (3.7)	1.390 (35.3)	1.3750-18 UNEF	1.331 (33.8)	2.244 (57.0)	1.575 (40.0)
28	.947 (24.1)	1.839 (46.7)	.157 (4.0)	1.563 (39.7)	2.000 (50.8)	.146 (3.7)	1.630 (41.4)	1.6250-18 UNEF	1.406 (35.7)	2.244 (57.0)	1.811 (46.0)
32	.947 (24.1)	2.102 (53.4)	.157 (4.0)	1.752 (44.5)	2.244 (57.0)	.169 (4.3)	1.882 (47.8)	1.8750-16 UN	1.469 (37.3)	2.362 (60.0)	2.028 (51.5)
36	.947 (24.1)	2.346 (59.6)	.157 (4.0)	1.937 (49.2)	2.500 (63.5)	.169 (4.3)	2.063 (52.4)	2.0625-16 UN	1.469 (37.3)	2.362 (60.0)	2.283 (58.0)
40	.947 (24.1)	2.579 (65.5)	.157 (4.0)	2.185 (55.5)	2.752 (69.9)	.169 (4.3)	2.323 (59.0)	2.3125-16 UN	1.469 (37.3)	2.362 (60.0)	2.539 (64.5)

All dimensions in inches (millimeters in parenthesis)

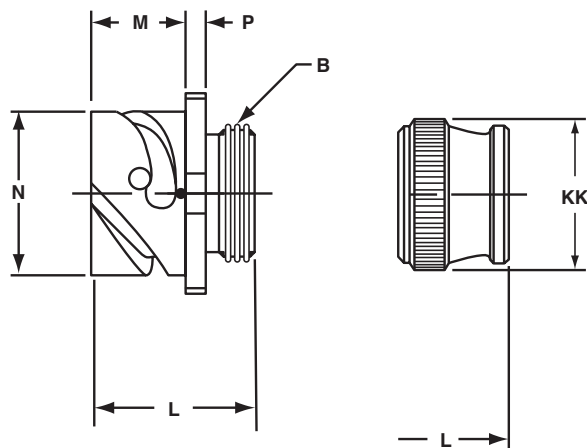
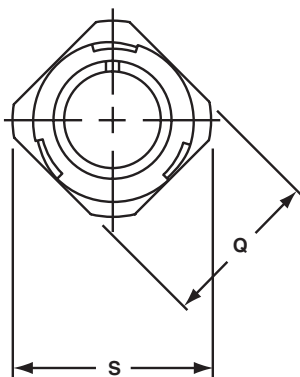
STYLE 0, 20, 30 RECEPTACLES



B THREAD CLASS 2A	F MIN.	K ¹ MIN.	K ² MIN.	L ² MAX.	L ³ MAX.	J ± .008 (±0.2)	K ³ + .020 (±0.5)	L ⁴ MAX.	Z MIN.	BB MAX.	JJ + .008 (+0.2)
.6250-24 UNEF	.409 (10.4)	.374 (9.5)	2.110 (53.6)	1.969 (50.0)	3.197 (81.2)	.138 (3.5)	.461 (11.7)	1.969 (50.0)	.303 (7.7)	.524 (13.3)	.610 (15.5)
.7500-20 UNEF	.520 (13.2)	.374 (9.5)	2.145 (54.5)	1.969 (50.0)	3.232 (82.1)	.138 (3.5)	.461 (11.7)	1.969 (50.0)	.417 (10.6)	.669 (17.0)	.752 (19.1)
.8750-20 UNEF	.638 (16.2)	.374 (9.5)	2.145 (54.5)	1.969 (50.0)	3.232 (82.1)	.138 (3.5)	.461 (11.7)	1.969 (50.0)	.531 (13.5)	.862 (21.9)	.941 (23.9)
.8750-20 UNEF	.638 (16.2)	.374 (9.5)	2.240 (56.9)	2.362 (60.0)	3.571 (90.7)	.138 (3.5)	.453 (11.5)	2.362 (60.0)	.531 (13.5)	.862 (21.9)	.941 (23.9)
1.0000-20 UNEF	.756 (19.2)	.374 (9.5)	2.315 (58.8)	2.362 (60.0)	3.646 (92.6)	.138 (3.5)	.453 (11.5)	2.362 (60.0)	.575 (14.6)	.862 (21.9)	.941 (23.9)
1.1875-18 UNEF	.867 (22.0)	.374 (9.5)	2.300 (58.4)	2.362 (60.0)	3.631 (92.2)	.138 (3.5)	.500 (12.7)	2.559 (65.0)	.736 (18.7)	1.031 (26.2)	1.165 (29.6)
1.1875-18 UNEF	.965 (24.5)	.374 (9.5)	2.305 (58.5)	2.362 (60.0)	3.636 (92.4)	.138 (3.5)	.500 (12.7)	2.559 (65.0)	.819 (20.8)	1.031 (26.2)	1.165 (29.6)
1.4375-18 UNEF	1.094 (27.8)	.374 (9.5)	2.320 (58.9)	2.560 (65.0)	3.651 (92.7)	.138 (3.5)	.500 (12.7)	2.559 (65.0)	.969 (24.6)	1.358 (34.5)	1.488 (37.8)
1.4375-18 UNEF	1.228 (31.2)	.374 (9.5)	2.490 (63.2)	2.560 (65.0)	3.896 (99.0)	.138 (3.5)	.500 (12.7)	2.559 (65.0)	1.063 (27.0)	1.358 (34.5)	1.488 (37.8)
1.7500-18 UNS	1.488 (37.8)	.433 (11.0)	2.635 (66.9)	2.560 (65.0)	4.104 (104.2)	.138 (3.5)	.598 (15.2)	2.756 (70.0)	1.311 (33.3)	1.717 (43.6)	1.882 (47.8)
2.0000-18 UNS	1.780 (45.2)	.465 (11.8)	2.680 (68.1)	3.150 (80.0)	4.149 (105.4)	.138 (3.5)	.598 (15.2)	3.150 (80.0)	1.516 (38.5)	1.717 (43.6)	1.882 (47.8)
2.2500-16 UN	2.016 (51.2)	.465 (11.8)	2.680 (68.1)	3.150 (80.0)	4.149 (105.4)	.138 (3.5)	.610 (15.5)	3.150 (80.0)	1.898 (48.2)	2.071 (52.6)	2.276 (57.8)

All dimensions in inches (millimeters in parenthesis)

STYLE 1 CABLE RECEPTACLE



RV

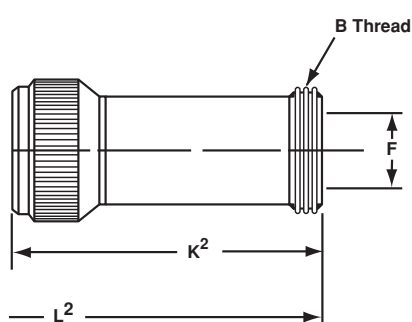
SHELL SIZE	M +.016 -.000 (+0.4 - 0.0)	N +.000 -.006 (+0.00-0.15)	P ± .008 (±0.2)	Q ± .008 (±0.2)	S MAX.
10SL	.717 (18.2)	.717 (18.2)	.110 (2.8)	.811 (20.6)	.992 (25.2)
14S	.717 (18.2)	.969 (24.6)	.126 (3.2)	1.000 (25.4)	1.173 (29.8)
16S	.717 (18.2)	1.079 (27.4)	.126 (3.2)	1.126 (28.6)	1.272 (32.3)
16	.846 (21.5)	1.079 (27.4)	.126 (3.2)	1.126 (28.6)	1.272 (32.3)
18	.907 (23.0)	1.213 (30.8)	.157 (4.0)	1.248 (31.7)	1.370 (34.8)
20	.907 (23.0)	1.346 (34.2)	.157 (4.0)	1.374 (34.9)	1.488 (37.8)
22	.907 (23.0)	1.472 (37.4)	.157 (4.0)	1.500 (38.1)	1.618 (41.1)
24	.907 (23.0)	1.610 (40.9)	.157 (4.0)	1.626 (41.3)	1.756 (44.6)
28	.947 (24.1)	1.839 (46.7)	.157 (4.0)	1.874 (47.6)	2.004 (50.9)
32	.947 (24.1)	2.102 (53.4)	.157 (4.0)	2.126 (54.0)	2.248 (57.1)
36	.947 (24.1)	2.346 (59.6)	.157 (4.0)	2.386 (60.6)	2.504 (63.6)
40	.947 (24.1)	2.579 (65.5)	.157 (4.0)	2.618 (66.5)	2.756 (70.0)

B THREAD CLASS 2A	L + .012 (+ 0.3)
.6250-24 UNEF	1.087 (27.6)
.7500-20 UNEF	1.087 (27.6)
.8750-20 UNEF	1.087 (27.6)
.8750-20 UNEF	1.331 (33.8)
1.0000-20 UNEF	1.331 (33.8)
1.1250-18 UNEF	1.331 (33.8)
1.2500-18 UNEF	1.331 (33.8)
1.3750-18 UNEF	1.331 (33.8)
1.6250-18 UNEF	1.406 (35.7)
1.8750-16 UN	1.469 (37.3)
2.0625-16 UN	1.469 (37.3)
2.3125-16 UN	1.469 (37.3)

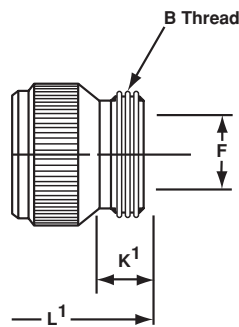
L ¹ MAX.	KK MAX.
1.890 (48.0)	.787 (20.0)
1.890 (48.0)	.945 (24.0)
1.890 (48.0)	1.024 (26.0)
2.205 (56.0)	1.024 (26.0)
2.244 (57.0)	1.161 (29.5)
2.244 (57.0)	1.299 (33.0)
2.244 (57.0)	1.417 (36.0)
2.244 (57.0)	1.575 (40.0)
2.244 (57.0)	1.811 (46.0)
2.362 (60.0)	2.028 (51.5)
2.362 (60.0)	2.283 (58.0)
2.362 (60.0)	2.539 (64.5)

All dimensions in inches (millimeters in parenthesis)

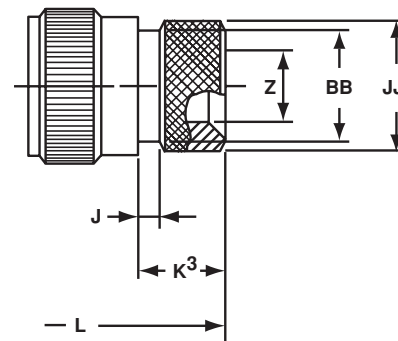
STYLE 1 CABLE RECEPTACLE



L



F



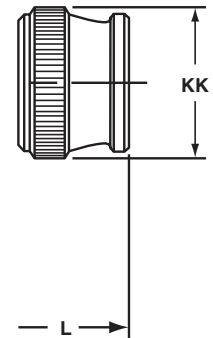
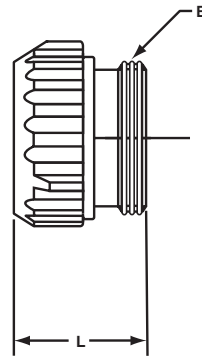
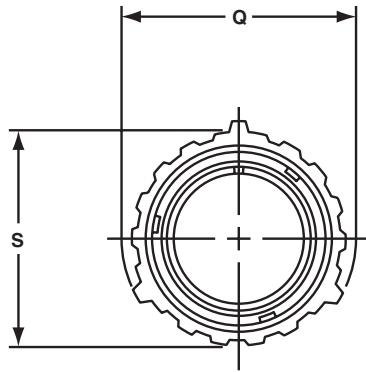
G

B THREAD CLASS 2A	F MIN.	K ¹ MIN.	K ² MAX.	L ³ MAX.	L ² MAX.
.6250-24 UNEF	.409 (10.4)	.374 (9.5)	2.110 (53.6)	1.969 (50.0)	3.197 (81.2)
.7500-20 UNEF	.520 (13.2)	.374 (9.5)	2.145 (54.5)	1.969 (50.0)	3.232 (82.1)
.8750-20 UNEF	.638 (16.2)	.374 (9.5)	2.145 (54.5)	1.969 (50.0)	3.232 (82.1)
.8750-20 UNEF	.638 (16.2)	.374 (9.5)	2.240 (56.9)	2.362 (60.0)	3.571 (90.7)
1.0000-20 UNEF	.756 (19.2)	.374 (9.5)	2.315 (58.8)	2.362 (60.0)	3.646 (92.6)
1.1875-18 UNEF	.867 (22.0)	.374 (9.5)	2.300 (58.4)	2.362 (60.0)	3.631 (92.2)
1.1875-18 UNEF	.965 (24.5)	.374 (9.5)	2.305 (58.5)	2.362 (60.0)	3.636 (92.4)
1.4375-18 UNEF	1.094 (27.8)	.374 (9.5)	2.320 (58.9)	2.560 (65.0)	3.651 (92.7)
1.4375-18 UNEF	1.228 (31.2)	.374 (9.5)	2.490 (63.2)	2.560 (65.0)	3.896 (99.0)
1.7500-18 UNS	1.488 (37.8)	.433 (11.0)	2.635 (66.9)	2.560 (65.0)	4.104 (104.2)
2.0000-18 UNS	1.780 (45.2)	.465 (11.8)	2.680 (68.1)	3.150 (80.0)	4.149 (105.4)
2.2500-16 UN	2.016 (51.2)	.465 (11.8)	2.680 (68.1)	3.150 (80.0)	4.149 (105.4)

J ± .008 (±0.2)	K ³ + .020 (±0.5)	L ⁴ MAX.	Z MIN.	BB MAX.	JJ + .008 (+0.2)
.138 (3.5)	.461 (11.7)	1.969 (50.0)	.303 (7.7)	.524 (13.3)	.610 (15.5)
.138 (3.5)	.461 (11.7)	1.969 (50.0)	.417 (10.6)	.669 (17.0)	.752 (19.1)
.138 (3.5)	.461 (11.7)	1.969 (50.0)	.531 (13.5)	.862 (21.9)	.941 (23.9)
.138 (3.5)	.453 (11.5)	2.362 (60.0)	.531 (13.5)	.862 (21.9)	.941 (23.9)
.138 (3.5)	.453 (11.5)	2.362 (60.0)	.575 (14.6)	.862 (21.9)	.941 (23.9)
.138 (3.5)	.500 (12.7)	2.559 (65.0)	.736 (18.7)	1.031 (26.2)	1.165 (29.6)
.138 (3.5)	.500 (12.7)	2.559 (65.0)	.819 (20.8)	1.031 (26.2)	1.165 (29.6)
.138 (3.5)	.500 (12.7)	2.559 (65.0)	.969 (24.6)	1.358 (34.5)	1.488 (37.8)
.138 (3.5)	.500 (12.7)	2.559 (65.0)	1.063 (27.0)	1.358 (34.5)	1.488 (37.8)
.138 (3.5)	.598 (15.2)	2.756 (70.0)	1.311 (33.3)	1.717 (43.6)	1.882 (47.8)
.138 (3.5)	.598 (15.2)	3.150 (80.0)	1.516 (38.5)	1.717 (43.6)	1.882 (47.8)
.138 (3.5)	.610 (15.5)	3.150 (80.0)	1.898 (48.2)	2.071 (52.6)	2.276 (57.8)

All dimensions in inches (millimeters in parenthesis)

STYLE 4 RUBBER-COVERED PLUGS



RV

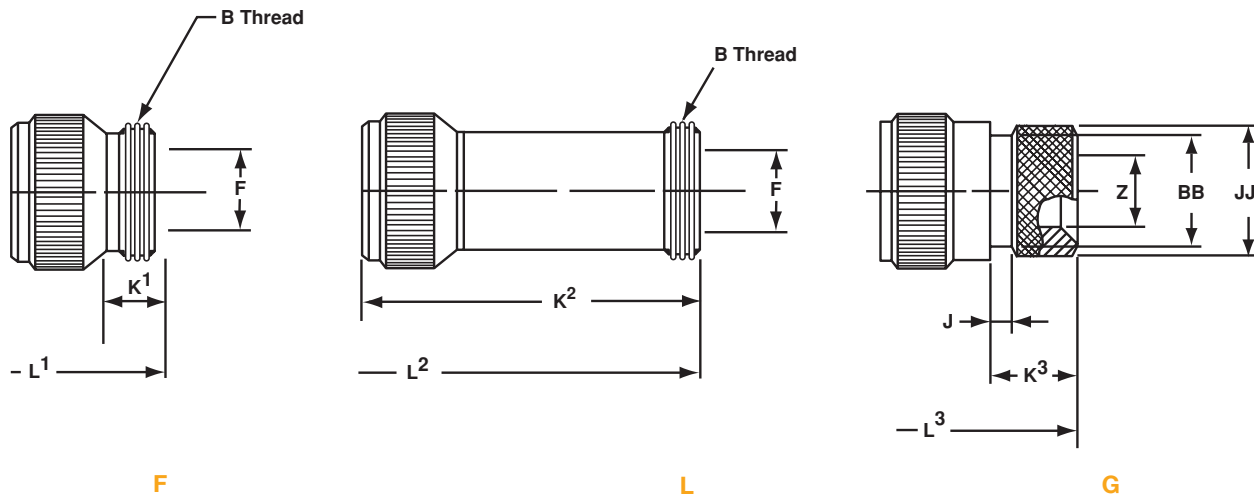
SHELL SIZE	Q MAX.	S MAX.
10SL	1.319 (33.5)	1.122 (28.5)
18	1.929 (49.0)	1.713 (43.5)
20	2.028 (51.5)	1.811 (46.0)
22	2.224 (56.5)	1.988 (50.5)
24	2.362 (60.0)	2.126 (54.0)
28	2.638 (67.0)	2.402 (61.0)
32	2.992 (76.0)	2.661 (67.6)
36	3.240 (82.3)	2.925 (74.3)
40	3.465 (88.0)	3.150 (80.0)

B THREAD CLASS 2A	L + .012 (+ 0.3)
.6250-24 UNEF	1.087 (27.6)
1.0000-20 UNEF	1.331 (33.8)
1.1250-18 UNEF	1.331 (33.8)
1.2500-18 UNEF	1.331 (33.8)
1.3750-18 UNEF	1.331 (33.8)
1.6250-18 UNEF	1.406 (35.7)
1.8750-16 UN	1.469 (37.3)
2.0625-16 UN	1.469 (37.3)
2.3125-16 UN	1.469 (37.3)

L ¹ MAX.	KK MAX.
1.417 (36.0)	.787 (20.0)
1.929 (49.0)	1.161 (29.5)
1.969 (50.0)	1.299 (33.0)
1.969 (50.0)	1.417 (36.0)
2.008 (51.0)	1.575 (40.0)
2.008 (51.0)	1.811 (46.0)
2.087 (53.0)	2.028 (51.5)
2.106 (53.5)	2.283 (58.0)
2.126 (54.0)	2.539 (64.5)

All dimensions in inches (millimeters in parenthesis)

STYLE 4 RUBBER-COVERED PLUGS

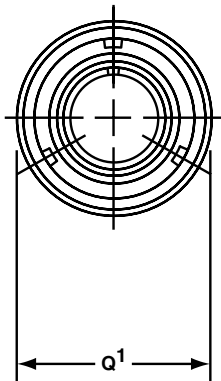


B THREAD CLASS 2A	F MIN.	K ¹ MIN.	K ² MIN.	L ² MAX.	L ³ MAX.
.6250-24 UNEF	.409 (10.4)	.374 (9.5)	2.110 (53.6)	1.969 (50.0)	3.197 (81.2)
1.0000-20 UNEF	.756 (19.2)	.374 (9.5)	2.315 (58.8)	2.362 (60.0)	3.646 (92.6)
1.1875-18 UNEF	.867 (22.0)	.374 (9.5)	2.300 (58.4)	2.362 (60.0)	3.631 (92.2)
1.1875-18 UNEF	.965 (24.5)	.374 (9.5)	2.305 (58.5)	2.362 (60.0)	3.636 (92.4)
1.4375-18 UNEF	1.094 (27.8)	.374 (9.5)	2.320 (58.9)	2.560 (65.0)	3.651 (92.7)
1.4375-18 UNEF	1.228 (31.2)	.374 (9.5)	2.490 (63.2)	2.560 (65.0)	3.896 (99.0)
1.7500-18 UNS	1.488 (37.8)	.433 (11.0)	2.635 (66.9)	2.560 (65.0)	4.104 (104.2)
2.0000-18 UNS	1.780 (45.2)	.465 (11.8)	2.680 (68.1)	3.150 (80.0)	4.149 (105.4)
2.2500-16 UN	2.016 (51.2)	.465 (11.8)	2.680 (68.1)	3.150 (80.0)	4.149 (105.4)

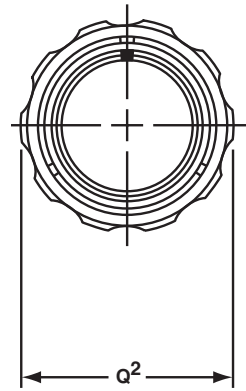
J ± .008 (±0.2)	K ³ + .020 (±0.5)	L ⁴ MAX.	Z MIN.	BB MAX.	JJ + .008 (+0.2)
.138 (3.5)	.461 (11.7)	1.969 (50.0)	.303 (7.7)	.524 (13.3)	.610 (15.5)
.138 (3.5)	.453 (11.5)	2.362 (60.0)	.575 (14.6)	.862 (21.9)	.941 (23.9)
.138 (3.5)	.500 (12.7)	2.559 (65.0)	.736 (18.7)	1.031 (26.2)	1.165 (29.6)
.138 (3.5)	.500 (12.7)	2.559 (65.0)	.819 (20.8)	1.031 (26.2)	1.165 (29.6)
.138 (3.5)	.500 (12.7)	2.559 (65.0)	.969 (24.6)	1.358 (34.5)	1.488 (37.8)
.138 (3.5)	.500 (12.7)	2.559 (65.0)	1.063 (27.0)	1.358 (34.5)	1.488 (37.8)
.138 (3.5)	.598 (15.2)	2.756 (70.0)	1.311 (33.3)	1.717 (43.6)	1.882 (47.8)
.138 (3.5)	.598 (15.2)	3.150 (80.0)	1.516 (38.5)	1.717 (43.6)	1.882 (47.8)
.138 (3.5)	.610 (15.5)	3.150 (80.0)	1.898 (48.2)	2.071 (52.6)	2.276 (57.8)

All dimensions in inches (millimeters in parenthesis)

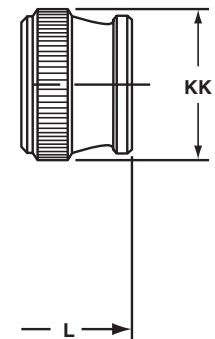
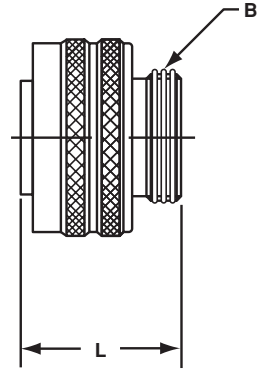
STYLE 6, 6HD PLUGS



6



6HD



RV

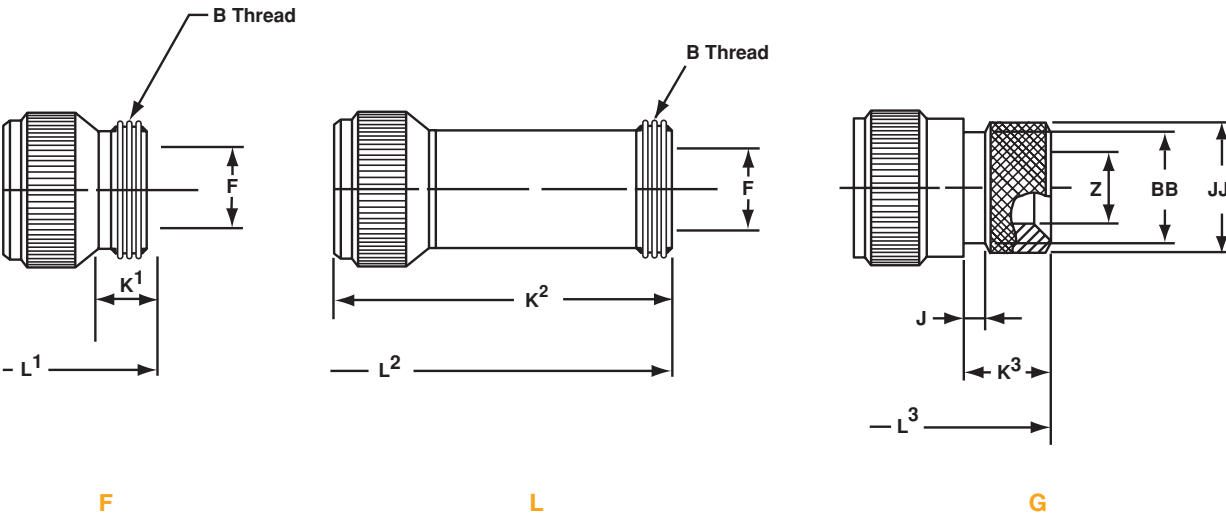
SHELL SIZE	Q ¹ MAX.	Q ² MAX.
10SL	.898 (22.8)	1.007 (25.5)
14S	1.150 (29.2)	1.259 (31.9)
16S	1.260 (32.0)	1.410 (35.8)
16	1.260 (32.0)	1.410 (35.8)
18	1.437 (36.5)	1.547 (39.2)
20	1.571 (39.9)	1.681 (42.6)
22	1.697 (43.1)	1.847 (46.9)
24	1.835 (46.6)	1.965 (49.9)
28	2.102 (53.4)	2.222 (56.4)
32	2.366 (60.1)	2.482 (63.0)
36	2.610 (66.3)	2.721 (69.1)
40	2.850 (72.4)	2.953 (75.0)

B THREAD CLASS 2A	L + .012 (+ 0.3)
.6250-24 UNEF	1.087 (27.6)
.7500-20 UNEF	1.087 (27.6)
.8750-20 UNEF	1.087 (27.6)
.8750-20 UNEF	1.331 (33.8)
1.0000-20 UNEF	1.331 (33.8)
1.1250-18 UNEF	1.331 (33.8)
1.2500-18 UNEF	1.331 (33.8)
1.3750-18 UNEF	1.331 (33.8)
1.6250-18 UNEF	1.406 (35.7)
1.8750-16 UN	1.469 (37.3)
2.0625-16 UN	1.469 (37.3)
2.3125-16 UN	1.469 (37.3)

L ¹ MAX.	KK MAX.
1.417 (36.0)	.787 (20.0)
1.437 (36.5)	.945 (24.0)
1.437 (36.5)	1.024 (26.0)
1.929 (49.0)	1.024 (26.0)
1.929 (49.0)	1.161 (29.5)
1.969 (50.0)	1.299 (33.0)
1.969 (50.0)	1.417 (36.0)
2.008 (51.0)	1.543 (39.2)
2.008 (51.0)	1.811 (46.0)
2.087 (53.0)	2.028 (51.5)
2.106 (53.5)	2.283 (58.0)
2.126 (54.0)	2.539 (64.5)

All dimensions in inches (millimeters in parenthesis)

STYLE 6, 6HD PLUGS

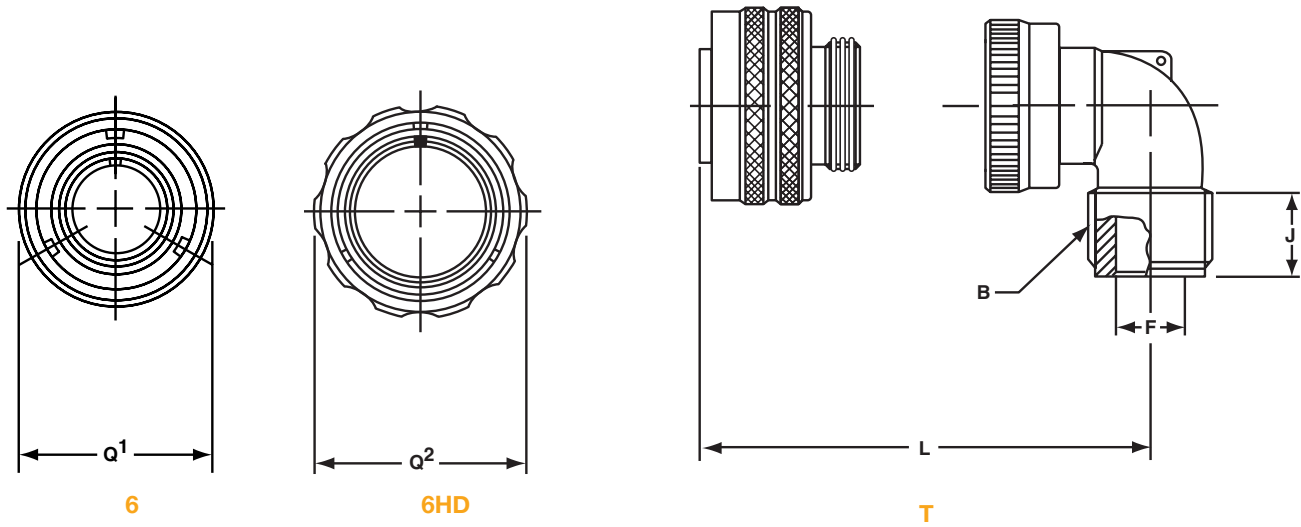


B THREAD CLASS 2A	F MIN.	K ¹ MIN.	K ² MIN.	L ² MAX.	L ³ MAX.
.6250-24 UNEF	.409 (10.4)	.374 (9.5)	2.110 (53.6)	1.969 (50.0)	3.197 (81.2)
.7500-20 UNEF	.520 (13.2)	.374 (9.5)	2.145 (54.5)	1.969 (50.0)	3.232 (82.1)
.8750-20 UNEF	.638 (16.2)	.374 (9.5)	2.145 (54.5)	1.969 (50.0)	3.232 (82.1)
.8750-20 UNEF	.638 (16.2)	.374 (9.5)	2.240 (56.9)	2.362 (60.0)	3.571 (90.7)
1.0000-20 UNEF	.756 (19.2)	.374 (9.5)	2.315 (58.8)	2.362 (60.0)	3.646 (92.6)
1.1875-18 UNEF	.867 (22.0)	.374 (9.5)	2.300 (58.4)	2.362 (60.0)	3.631 (92.2)
1.1875-18 UNEF	.965 (24.5)	.374 (9.5)	2.305 (58.5)	2.362 (60.0)	3.636 (92.4)
1.4375-18 UNEF	1.094 (27.8)	.374 (9.5)	2.320 (58.9)	2.560 (65.0)	3.651 (92.7)
1.4375-18 UNEF	1.228 (31.2)	.374 (9.5)	2.490 (63.2)	2.560 (65.0)	3.896 (99.0)
1.7500-18 UNS	1.488 (37.8)	.433 (11.0)	2.635 (66.9)	2.560 (65.0)	4.104 (104.2)
2.0000-18 UNS	1.780 (45.2)	.465 (11.8)	2.680 (68.1)	3.150 (80.0)	4.149 (105.4)
2.2500-16 UN	2.016 (51.2)	.465 (11.8)	2.680 (68.1)	3.150 (80.0)	4.149 (105.4)

J ± .008 (±0.2)	K ³ + .020 (±0.5)	L ⁴ MAX.	Z MIN.	BB MAX.	JJ + .008 (+0.2)
.138 (3.5)	.461 (11.7)	1.969 (50.0)	.303 (7.7)	.524 (13.3)	.610 (15.5)
.138 (3.5)	.461 (11.7)	1.969 (50.0)	.417 (10.6)	.669 (17.0)	.752 (19.1)
.138 (3.5)	.461 (11.7)	1.969 (50.0)	.531 (13.5)	.862 (21.9)	.941 (23.9)
.138 (3.5)	.453 (11.5)	2.362 (60.0)	.531 (13.5)	.862 (21.9)	.941 (23.9)
.138 (3.5)	.453 (11.5)	2.362 (60.0)	.575 (14.6)	.862 (21.9)	.941 (23.9)
.138 (3.5)	.500 (12.7)	2.559 (65.0)	.736 (18.7)	1.031 (26.2)	1.165 (29.6)
.138 (3.5)	.500 (12.7)	2.559 (65.0)	.819 (20.8)	1.031 (26.2)	1.165 (29.6)
.138 (3.5)	.500 (12.7)	2.559 (65.0)	.969 (24.6)	1.358 (34.5)	1.488 (37.8)
.138 (3.5)	.500 (12.7)	2.559 (65.0)	1.063 (27.0)	1.358 (34.5)	1.488 (37.8)
.138 (3.5)	.598 (15.2)	2.756 (70.0)	1.311 (33.3)	1.717 (43.6)	1.882 (47.8)
.138 (3.5)	.598 (15.2)	3.150 (80.0)	1.516 (38.5)	1.717 (43.6)	1.882 (47.8)
.138 (3.5)	.610 (15.5)	3.150 (80.0)	1.898 (48.2)	2.071 (52.6)	2.276 (57.8)

All dimensions in inches (millimeters in parenthesis)

PLUG STYLE 6, 6HD RIGHT ANGLE

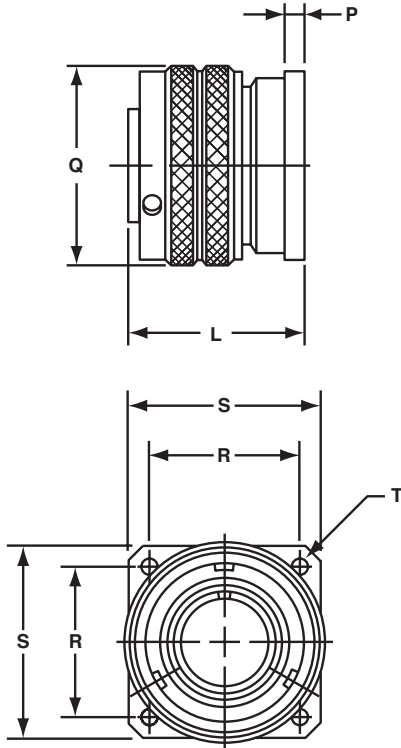


SHELL SIZE	Q ¹ MAX.	Q ² MAX.
10SL	.898 (22.8)	1.007 (25.5)
14S	1.150 (29.2)	1.259 (31.9)
16S	1.260 (32.0)	1.410 (35.8)
16	1.260 (32.0)	1.410 (35.8)
18	1.437 (36.5)	1.547 (39.2)
20	1.571 (39.9)	1.681 (42.6)
22	1.697 (43.1)	1.847 (46.9)
24	1.835 (46.6)	1.965 (49.9)
28	2.102 (53.4)	2.222 (56.4)
32	2.366 (60.1)	2.482 (63.0)
36	2.610 (66.3)	2.721 (69.1)
40	2.850 (72.4)	2.953 (75.0)

B THREAD CLASS 2A	F MAX.	J MIN.	K MAX.	L MAX.
.6250-24 UNEF	.337 (8.5)	.370 (9.4)	1.181 (30.0)	1.772 (45.0)
.7500-20 UNEF	.462 (11.7)	.370 (9.4)	1.181 (30.0)	1.850 (47.0)
.8750-20 UNEF	.587 (14.9)	.370 (9.4)	1.181 (30.0)	1.890 (48.0)
.8750-20 UNEF	.587 (14.9)	.370 (9.4)	1.181 (30.0)	2.244 (57.0)
1.0000-20 UNEF	.685 (17.4)	.370 (9.4)	1.378 (35.0)	2.283 (58.0)
1.1875-18 UNEF	.810 (20.5)	.370 (9.4)	1.378 (35.0)	2.402 (61.0)
1.1875-18 UNEF	.915 (23.2)	.370 (9.4)	1.378 (35.0)	2.402 (61.0)
1.4375-18 UNEF	1.025 (26.0)	.370 (9.4)	1.575 (40.0)	2.598 (66.0)
1.4375-18 UNEF	1.139 (28.9)	.370 (9.4)	1.575 (40.0)	2.598 (53.4)
1.7500-18 UNS	1.447 (36.7)	.433 (11.0)	1.772 (45.0)	2.835 (72.0)
2.0000-18 UNS	1.687 (42.8)	.496 (12.6)	1.969 (50.0)	2.953 (75.0)
2.2500-16 UN	1.923 (48.8)	.496 (12.6)	2.165 (55.1)	3.071 (78.0)

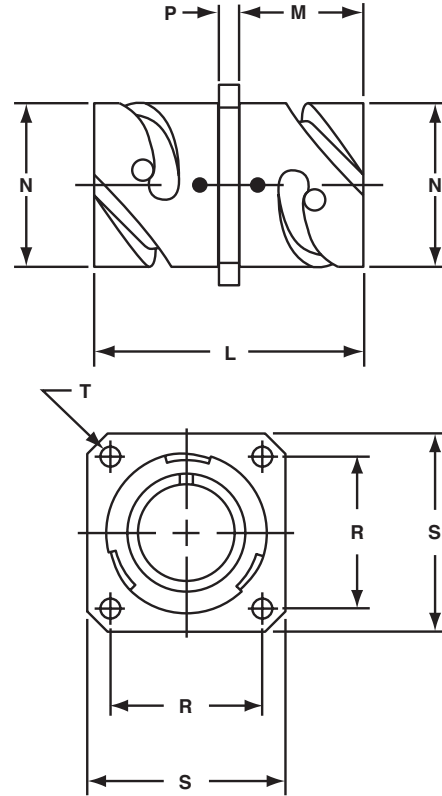
All dimensions in inches (millimeters in parenthesis)

6B PANEL PLUG



6B

STYLE TB THRU-BULKHEAD RECEPTACLE

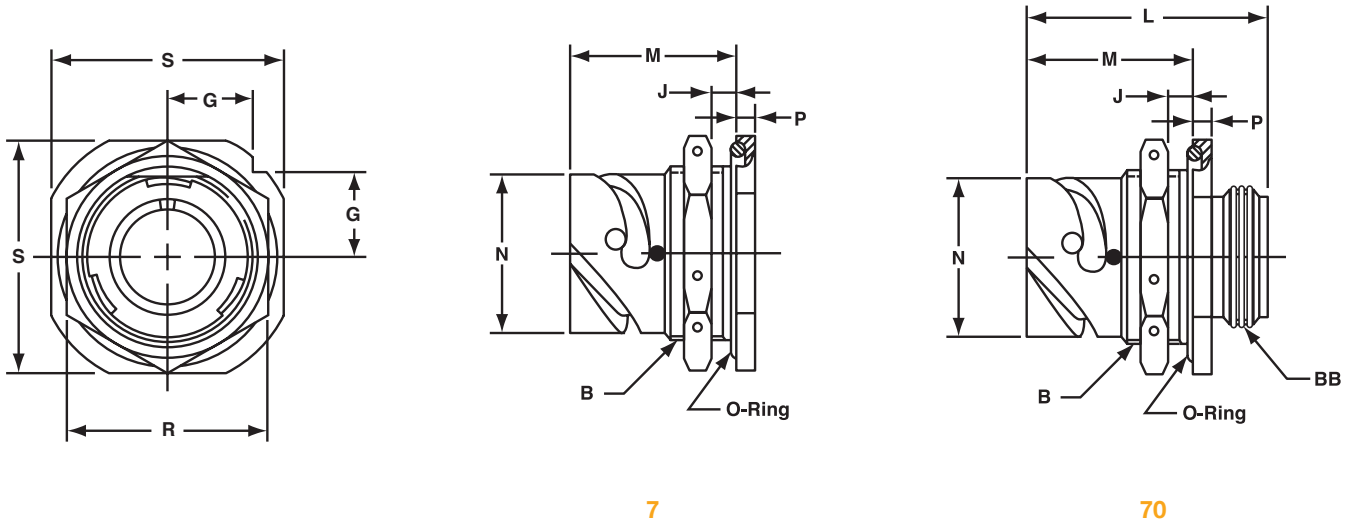


TB

SHELL SIZE	L APPROX.	Q MAX.	P ±.008 (±0.2)	R ±.004 (±0.1)	S ±.012 (±0.3)	T +.004-.000 (+0.1-0.0)	L MAX.	M +.016-.000 (+0.4-0.0)	N +.000-.006 (+0.00-0.15)	P ±.008 (±0.2)	R ±.004 (±0.1)	S ±.012 (±0.3)	T +.004-.000 (+0.1-0.0)
10SL	1.087 (27.6)	.898 (22.8)	.110 (2.8)	.717 (18.2)	1.000 (25.4)	.126 (3.2)	1.488 (37.7)	.717 (18.2)	.717 (18.2)	.110 (2.8)	.717 (18.2)	1.000 (25.4)	.126 (3.2)
14S	1.091 (27.7)	1.150 (29.2)	.126 (3.2)	.906 (23.0)	1.181 (30.0)	.126 (3.2)	1.488 (37.7)	.717 (18.2)	.969 (24.6)	.126 (3.2)	.906 (23.0)	1.181 (30.0)	.126 (3.2)
16S	1.091 (27.7)	1.260 (32.0)	.126 (3.2)	.969 (24.6)	1.280 (32.5)	.126 (3.2)	1.488 (37.7)	.717 (18.2)	1.079 (27.4)	.126 (3.2)	.969 (24.6)	1.280 (32.5)	.126 (3.2)
16	1.469 (37.3)	1.260 (32.0)	.126 (3.2)	.969 (24.6)	1.280 (32.5)	.126 (3.2)	2.049 (52.0)	.846 (21.5)	1.079 (27.4)	.126 (3.2)	.969 (24.6)	1.280 (32.5)	.126 (3.2)
18	1.500 (38.1)	1.437 (36.5)	.157 (4.0)	1.063 (27.0)	1.378 (35.0)	.126 (3.2)	2.049 (52.0)	.907 (23.0)	1.213 (30.8)	.157 (4.0)	1.063 (27.0)	1.378 (35.0)	.126 (3.2)
20	1.500 (38.1)	1.571 (39.9)	.157 (4.0)	1.157 (29.4)	1.496 (38.0)	.126 (3.2)	2.049 (52.0)	.907 (23.0)	1.346 (34.2)	.157 (4.0)	1.157 (29.4)	1.496 (38.0)	.126 (3.2)
22	1.500 (38.1)	1.697 (43.1)	.157 (4.0)	1.252 (31.8)	1.614 (41.0)	.126 (3.2)	2.049 (52.0)	.907 (23.0)	1.472 (37.4)	.157 (4.0)	1.252 (31.8)	1.614 (41.0)	.126 (3.2)
24	1.598 (40.6)	1.835 (46.6)	.157 (4.0)	1.374 (34.9)	1.752 (44.5)	.146 (3.7)	2.049 (52.0)	.907 (23.0)	1.610 (40.9)	.157 (4.0)	1.374 (34.9)	1.752 (44.5)	.146 (3.7)
28	1.626 (41.3)	2.102 (53.4)	.157 (4.0)	1.563 (39.7)	2.000 (50.8)	.146 (3.7)	2.049 (52.0)	.947 (24.0)	1.839 (46.7)	.157 (4.0)	1.563 (39.7)	2.000 (50.8)	.146 (3.7)
32	1.764 (44.8)	2.366 (60.1)	.157 (4.0)	1.752 (44.5)	2.244 (57.0)	.169 (4.3)	2.049 (52.0)	.947 (24.0)	2.102 (53.4)	.157 (4.0)	1.752 (44.5)	2.244 (57.0)	.169 (4.3)
36	1.764 (44.8)	2.610 (66.3)	.157 (4.0)	1.937 (49.2)	2.500 (63.5)	.169 (4.3)	2.049 (52.0)	.947 (24.0)	2.346 (59.6)	.157 (4.0)	1.937 (49.2)	2.500 (63.5)	.169 (4.3)
40	1.764 (44.8)	2.850 (72.4)	.157 (4.0)	2.185 (55.5)	2.752 (69.9)	.169 (4.3)	2.049 (52.0)	.947 (24.0)	2.579 (65.5)	.157 (4.0)	2.185 (55.5)	2.752 (69.9)	.169 (4.3)

All dimensions in inches (millimeters in parenthesis)

STYLE 7, 70 JAM NUT RECEPTACLES



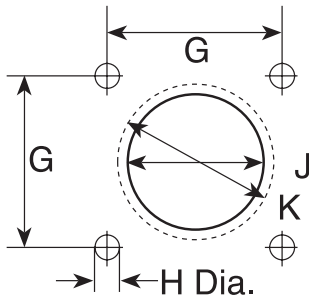
7

70

SHELL SIZE	B THREAD CLASS 2A	G ±.012 (±0.3)	J WALL THICKNESS		L ± .010 (±0.3)	M ± .012 (±0.3)	N +0.000-.1006 (+0.00-0.15)	P ± .007 (±0.2)	R ± .016 (±0.4)	S ± .12 (±0.3)	BB THREAD CLASS 2A
			MIN.	MAX.							
10SL	.8750-20 UNEF	.441 (11.2)	.094 (2.4)	.205 (5.2)	1.425 (36.2)	.965 (24.5)	.717 (18.2)	.157 (4.0)	1.062 (27.0)	1.252 (31.8)	.6250-24 UNEF
14S	1.1250-18 UNEF	.575 (14.6)	.094 (2.4)	.295 (7.5)	1.531 (38.9)	1.055 (26.8)	.969 (24.6)	.189 (4.8)	1.312 (33.3)	1.626 (41.3)	.7500-20 UNEF
16S	1.2500-18 UNEF	.618 (15.7)	.094 (2.4)	.295 (7.5)	1.531 (38.9)	1.055 (26.8)	1.079 (27.4)	.189 (4.8)	1.500 (38.1)	1.748 (44.4)	.8750-20 UNEF
16	1.2500-18 UNEF	.618 (15.7)	.094 (2.4)	.295 (7.5)	1.909 (48.5)	1.264 (32.1)	1.079 (27.4)	.189 (4.8)	1.500 (38.1)	1.748 (44.4)	.8750-20 UNEF
18	1.3750-18 UNEF	.661 (16.8)	.094 (2.4)	.354 (9.0)	1.941 (49.3)	1.327 (33.7)	1.213 (30.8)	.189 (4.8)	1.562 (39.7)	1.874 (47.6)	1.0000-20 UNEF
20	1.5000-18 UNEF	.709 (18.0)	.094 (2.4)	.358 (9.1)	1.941 (49.3)	1.327 (33.7)	1.346 (34.2)	.189 (4.8)	1.750 (44.5)	2.000 (50.8)	1.1250-18 UNEF
22	1.6250-18 UNEF	.795 (20.2)	.094 (2.4)	.358 (9.1)	1.941 (49.3)	1.327 (33.7)	1.472 (37.4)	.189 (4.8)	2.000 (50.8)	2.134 (54.2)	1.2500-18 UNEF
24	1.7500-18 UNEF	.795 (20.2)	.094 (2.4)	.358 (9.1)	1.953 (49.6)	1.327 (33.7)	1.610 (40.9)	.189 (4.8)	2.000 (50.8)	2.252 (57.2)	1.3750-18 UNEF
28	2.0000-18 UNS	.886 (22.5)	.094 (2.4)	.394 (10.0)	2.043 (51.9)	1.386 (35.2)	1.839 (46.7)	.220 (5.6)	2.188 (55.6)	2.500 (63.5)	1.6250-18 UNEF
32	2.2500-16 UN	.972 (24.7)	.094 (2.4)	.394 (10.0)	2.043 (51.9)	1.386 (35.2)	2.102 (53.4)	.220 (5.6)	2.438 (61.9)	2.748 (69.8)	1.8750-16 UN
36	2.5000-16 UN	1.059 (26.9)	.094 (2.4)	.327 (8.3)	2.043 (51.9)	1.386 (35.2)	2.346 (59.6)	.220 (5.6)	2.812 (71.4)	3.000 (76.2)	2.0625-16 UN
40	2.7500-16 UN	1.165 (29.6)	.094 (2.4)	.327 (8.3)	2.043 (51.9)	1.386 (35.2)	2.579 (65.5)	.220 (5.6)	2.953 (75.0)	3.248 (82.5)	2.3125-16 UN

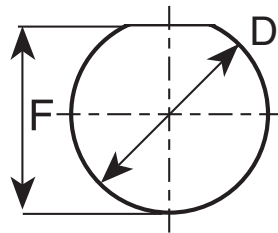
All dimensions in inches (millimeters in parenthesis)

PANEL CUTOUTS



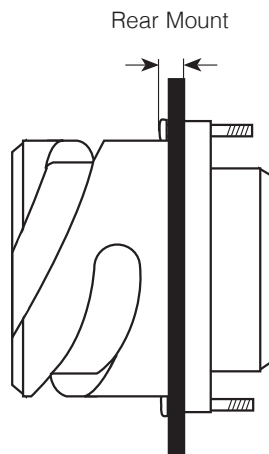
Dim. J-flange in front of panel
 Dim. K-flange at rear of panel
 See sealing screws on [page 490](#).

SHELL SIZE	STYLE 0, 2, 20, 30, TB FLANGE			
	G (TP)	MOUNTING HOLE DIAMETER H	J FRONT	K REAR
10SL	0.717 (18.2)	0.126 (3.2)	0.688 (17.5)	0.750 (19.1)
14S	0.906 (23.0)	0.126 (3.2)	0.813 (20.7)	1.000 (25.4)
16S	0.969 (24.6)	0.126 (3.2)	0.938 (23.8)	1.125 (28.6)
16	0.969 (24.6)	0.126 (3.2)	0.938 (23.8)	1.125 (28.6)
18	1.063 (27.0)	0.126 (3.2)	1.063 (27.0)	1.250 (26.7)
20	1.157 (29.4)	0.126 (3.2)	1.188 (30.2)	1.375 (35.0)
22	1.252 (31.8)	0.126 (3.2)	1.313 (33.4)	1.500 (38.1)
24	1.374 (34.9)	0.146 (3.7)	1.438 (36.5)	1.625 (41.3)
28	1.563 (39.7)	0.146 (3.7)	1.688 (42.9)	1.875 (47.6)
32	1.752 (44.5)	0.169 (4.3)	1.938 (49.2)	2.125 (54.0)
36	1.937 (49.2)	0.169 (4.3)	2.125 (54.0)	2.375 (60.3)
40	2.185 (55.5)	0.169 (4.3)	2.375 (60.3)	2.625 (66.7)



SHELL SIZE	7/70 PANEL CUTOUT	
	F - FLAT	D - DIAMETER
10SL	0.830 (21.1)	0.875 (22.2)
14S	1.080 (27.4)	1.125 (28.6)
16S/16	1.210 (30.7)	1.250 (31.7)
18	1.320 (33.5)	1.375 (34.9)
20	1.450 (36.8)	1.500 (38.1)
22	1.570 (39.9)	1.625 (41.3)
24	1.700 (43.2)	1.750 (44.5)
28	1.950 (49.5)	2.000 (50.8)
32	2.200 (55.9)	2.250 (57.2)
36	2.450 (62.2)	2.500 (63.5)
40	2.700 (68.6)	2.750 (69.9)

PANEL THICKNESS



SHELL SIZE	REAR MOUNT
10SL	.303 (7.70)
14S	.303 (7.70)
16S	.303 (7.70)
16	.242 (6.15)
18	.303 (7.70)
20	.303 (7.70)
22	.303 (7.70)
24	.303 (7.70)
28	.343 (8.70)
32	.309 (7.85)
36	.309 (7.85)
40	.309 (7.85)

All dimensions in inches (millimeters in parenthesis)