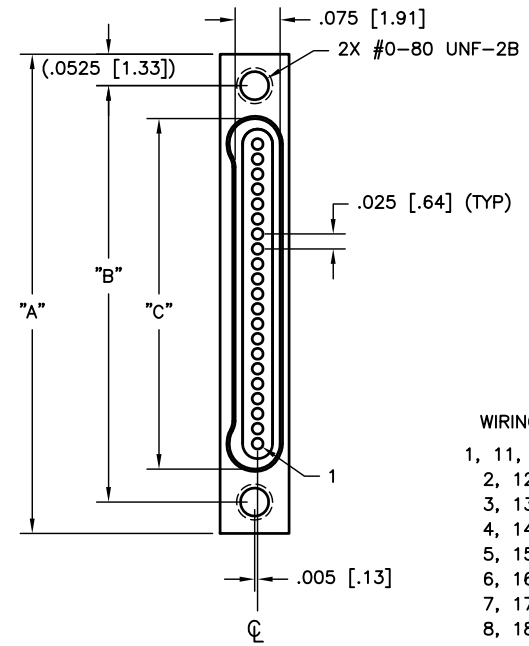
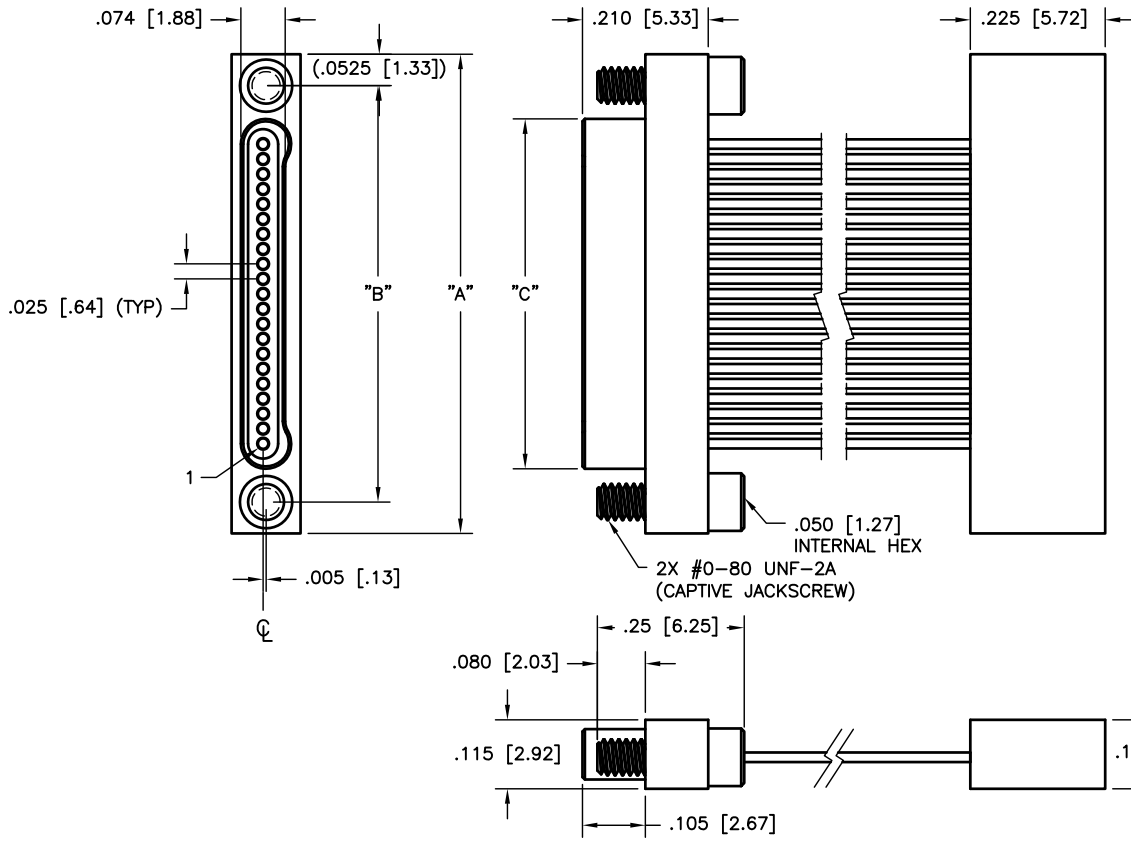


PART REV		DWG ISSUE	DATE	ECN NO.	APPVD BY	REL BY
-	-	-	-	-	-	-



WIRING COLOR CODE

1, 11, 21	—	BLACK
2, 12	—	BROWN
3, 13	—	RED
4, 14	—	ORANGE
5, 15	—	YELLOW
6, 16	—	GREEN
7, 17	—	BLUE
8, 18	—	VIOLET
9, 19	—	GRAY
10, 20	—	WHITE

PART NO.	SIZE	"A"	"B"	PLUG	"C"	RECEPTACLE
833711622	9	.500 [12.70]	.395 [10.03]	.284 [7.21]	.285 [7.24]	
833721622	15	.650 [16.51]	.545 [13.84]	.434 [11.02]	.435 [11.05]	
833731622	21	.800 [20.32]	.695 [17.65]	.584 [14.83]	.585 [14.86]	
833741622	25	.900 [22.86]	.795 [20.19]	.684 [17.37]	.685 [17.40]	
833751622	31	1.050 [26.67]	.945 [24.00]	.834 [21.18]	.835 [21.21]	
833761622	37	1.200 [30.48]	1.095 [27.81]	.984 [24.99]	.985 [25.02]	
833771622	51	1.550 [39.37]	1.445 [36.70]	1.334 [33.88]	1.335 [33.91]	

3. PERFORMANCE: MEETS OR EXCEEDS M32139 PERFORMANCE SPECIFICATIONS  
 CONTACT RATING: 1 AMPERE MAXIMUM  
 INSULATION RESISTANCE: 5000 MEGOHMS MINIMUM @ 100 VDC  
 CONTACT RESISTANCE: 0.071 VOLT MAXIMUM DROP @ 1.0 AMPS (.071 OHMS)  
 W/6.00" OF WIRE LISTED BELOW, PER MIL-DTL-32139
2. MATERIALS: SHELL: ALUMINUM 6061-T6, ELECTROLESS NICKEL PLATED PER AMS-C-26074  
 INSULATOR: LCP (LIQUID CRYSTAL POLYMER) GLCP-30F  
 CONTACT: BRASS ALLOY 735, GOLD PLATED PER ASTM B488  
 LEADS: 30 AWG, NEMA HP3, TYPE ET, COLOR CODED PER MIL-DTL-681, SYSTEM 1,  
 EXCEPT USING 10 SOLID REPEATING COLORS, 18.0" +0.5/-0.0 LONG  
 HARDWARE: 303 STAINLESS PER ASTM 582
1. MARKINGS: UMI, DATE CODE, UMI P/N AS SPACE PERMITS

NOTES: UNLESS OTHERWISE SPECIFIED

<b>QUALITY SYMBOLS</b> MAJOR = CRITICAL = SPC =	<b>UNLESS SPECIFIED:</b> ALL DIMENSIONS IN INCHES <b>GENERAL TOLERANCES:</b> 3 PLACE ±.005 2 PLACE ±.010 ANGULAR ±2°	<b>SCALE</b> 5:1 <b>DWG SIZE</b> B	<b>THIRD ANGLE PROJECTION</b> <b>REVISE ON CAD ONLY</b>	
	<b>TITLE:</b> NANO-D SINGLE ROW CONNECTOR, MALE/FEMALE, SIZE XX, NMLXX-1P02/NMLXX-1S07-30F6-18.0-S01	<b>DRAWN BY &amp; DATE</b> UMI 03-09-10	<b>CHECKED BY &amp; DATE</b>	<b>MATERIAL:</b> 
	<b>CAGE CODE</b> Ulti-Mate CAGE CODE 58967	<b>CAD FILENAME</b> SD-833731622.DWG	<b>PART NO.</b> SEE "TAB BLOCK"	<b>DRAWING NO.</b> SD-833731622
	<b>THIS DRAWING CONTAINS INFORMATION THAT IS PROPRIETARY TO ULTI-MATE INCORPORATED AND SHOULD NOT BE USED WITHOUT WRITTEN PERMISSION.</b>	<b>SHEET NO.</b> 1 OF 1	<b>REV</b> -	